



K-Type Marker

TE Internal #: EC6409-000

Tie-On, 65 Marker Size, Red, Straight Cut, 2 Marking Details, Width 6 mm [.23 in], Black, Flexible PVC, K-Type Marker, Pre-Printed Markers

[View on TE.com >](#)

Identification & Labeling > Pre-Printed Markers



Marker Style: **Tie-On**

Marker Size: **65**

Compatible Cable Diameter Range: **4.2 – 7 mm [.165 – .276 in]**

Primary Product Color: **Red**

Marker Cut: **Straight**

Features

Body Features

Marker Style	Tie-On
Marker Size	65
Primary Product Color	Red
Primary Product Material	Flexible PVC

Dimensions

Compatible Cable Diameter Range	4.2 – 7 mm [.165 – .276 in]
Product Width	6 mm [.23 in]

Printer/Label Features

Marker Cut	Straight
Marking Details	2

Packaging Features

Packaging Quantity	500
--------------------	-----

Other

Printed Marking Color	Black
-----------------------	-------

Product Compliance

[For compliance documentation, visit the product page on TE.com>](#)

EU RoHS Directive 2011/65/EU	Compliant
------------------------------	-----------



EU ELV Directive 2000/53/EC

Compliant

China RoHS 2 Directive MIIT Order No 32, 2016

No Restricted Materials Above Threshold

EU REACH Regulation (EC) No. 1907/2006

Current ECHA Candidate List: JUNE 2024 (241)
 Candidate List Declared Against: JUNE 2024 (241)
 Does not contain REACH SVHC

Halogen Content

Not Low Halogen - contains Br or Cl > 900 ppm.

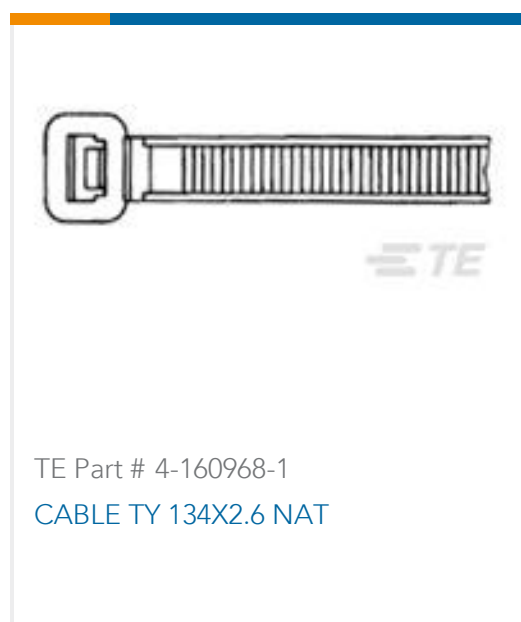
Solder Process Capability

Not applicable for solder process capability

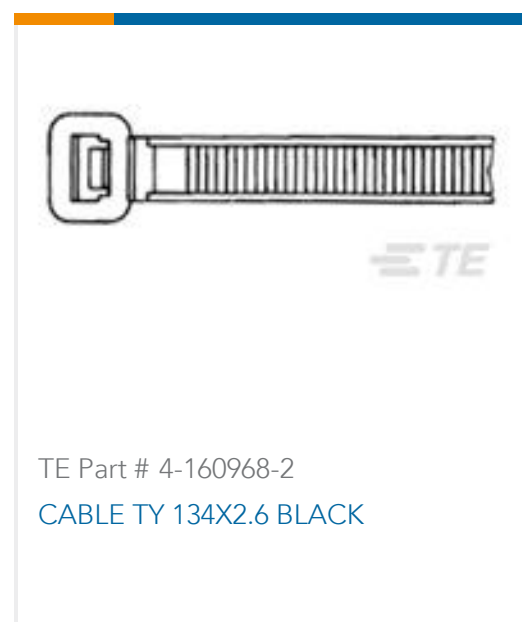
Product Compliance Disclaimer

This information is provided based on reasonable inquiry of our suppliers and represents our current actual knowledge based on the information they provided. This information is subject to change. The part numbers that TE has identified as EU RoHS compliant have a maximum concentration of 0.1% by weight in homogenous materials for lead, hexavalent chromium, mercury, PBB, PBDE, DBP, BBP, DEHP, DIBP, and 0.01% for cadmium, or qualify for an exemption to these limits as defined in the Annexes of Directive 2011/65/EU (RoHS2). Finished electrical and electronic equipment products will be CE marked as required by Directive 2011/65/EU. Components may not be CE marked. Additionally, the part numbers that TE has identified as EU ELV compliant have a maximum concentration of 0.1% by weight in homogenous materials for lead, hexavalent chromium, and mercury, and 0.01% for cadmium, or qualify for an exemption to these limits as defined in the Annexes of Directive 2000/53/EC (ELV). Regarding the REACH Regulation, the information TE provides on SVHC in articles for this part number is based on the latest European Chemicals Agency (ECHA) 'Guidance on requirements for substances in articles' posted at this URL: <https://echa.europa.eu/guidance-documents/guidance-on-reach>

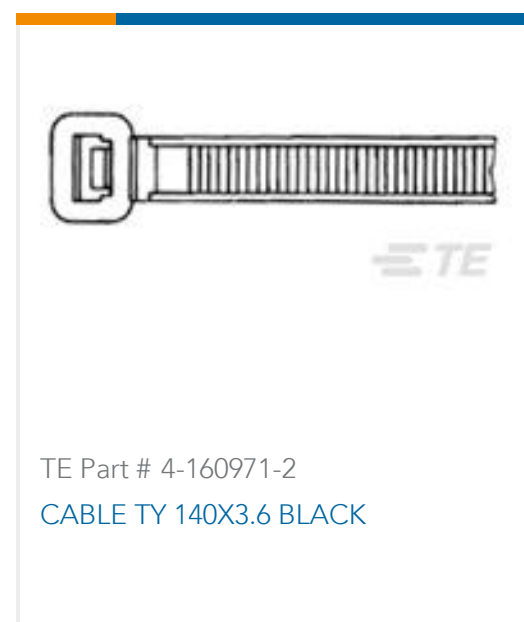
Compatible Parts



TE Part # 4-160968-1
CABLE TY 134X2.6 NAT



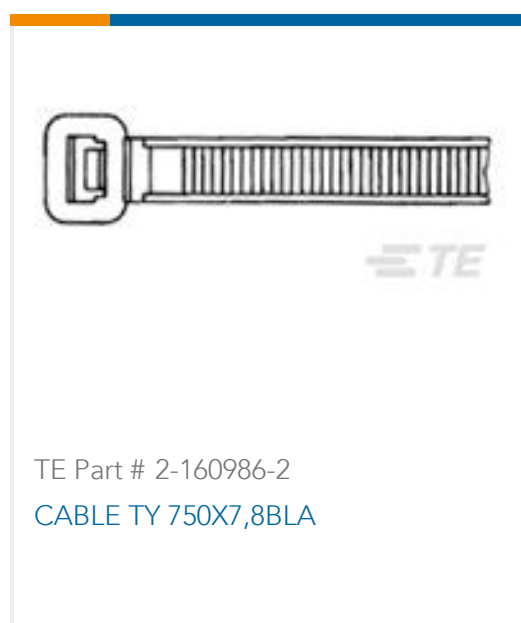
TE Part # 4-160968-2
CABLE TY 134X2.6 BLACK



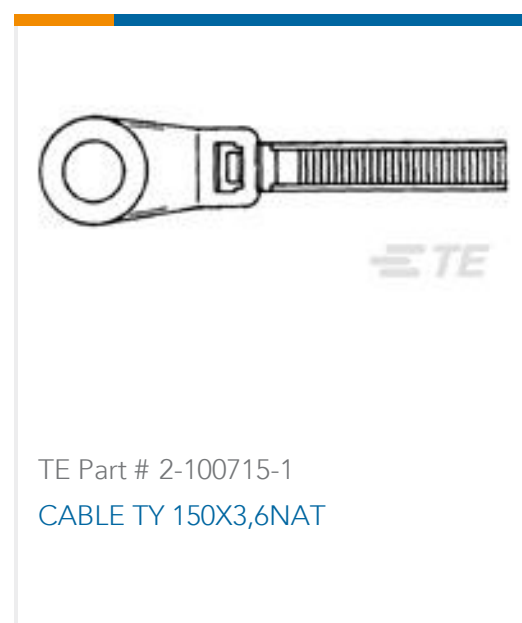
TE Part # 4-160971-2
CABLE TY 140X3.6 BLACK



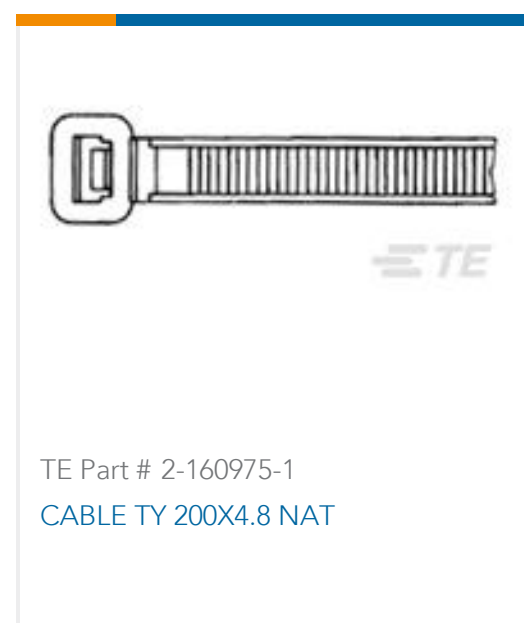
TE Part # 4-160975-2
CABLE TY 200X4.8 BLA



TE Part # 2-160986-2
CABLE TY 750X7,8BLA



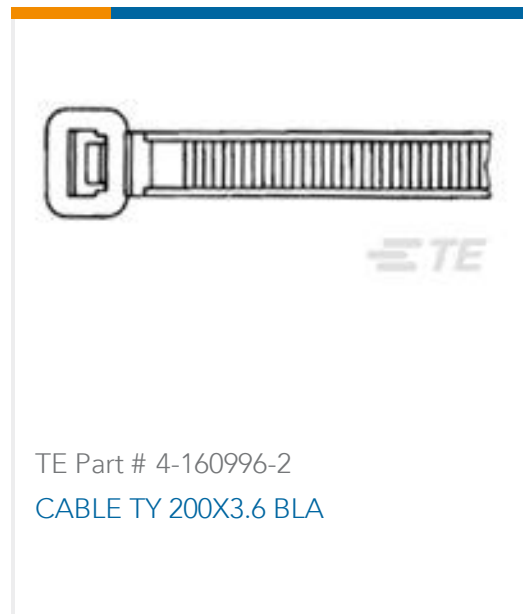
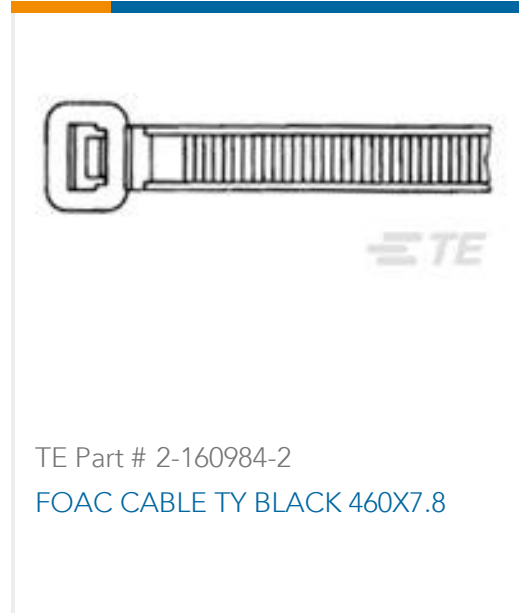
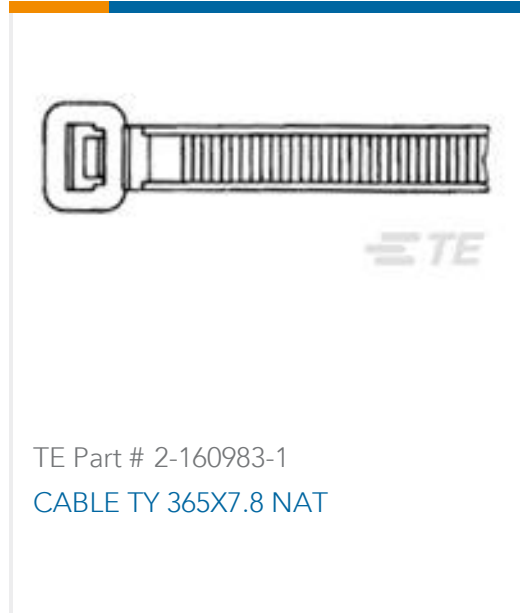
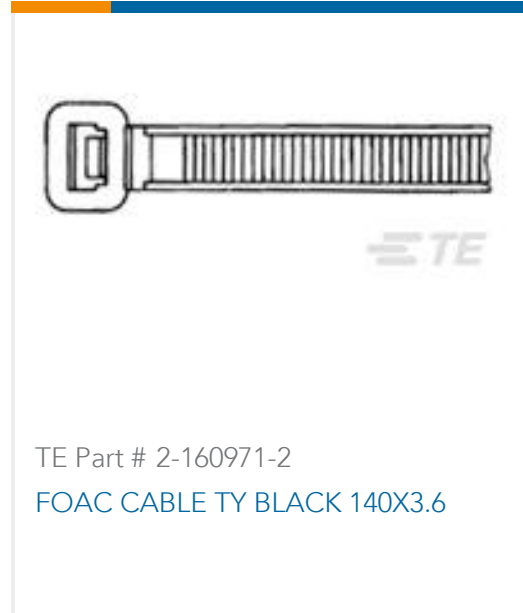
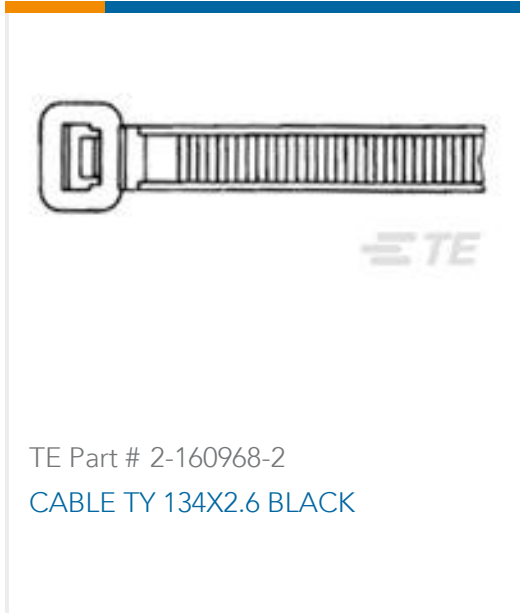
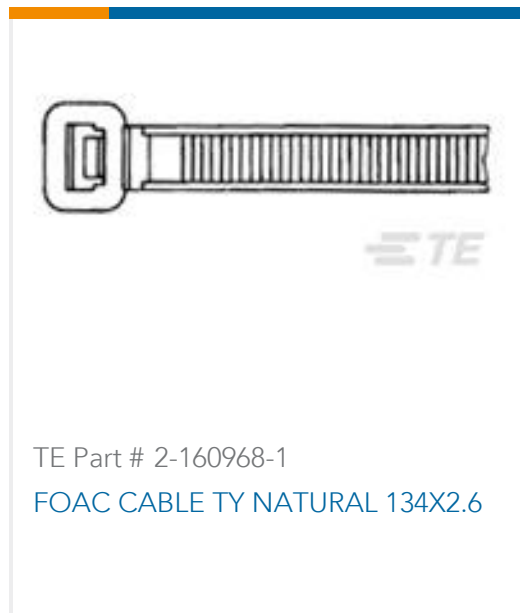
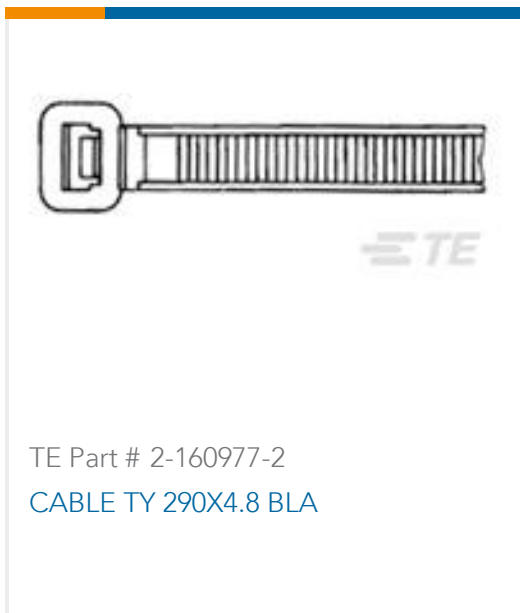
TE Part # 2-100715-1
CABLE TY 150X3,6NAT



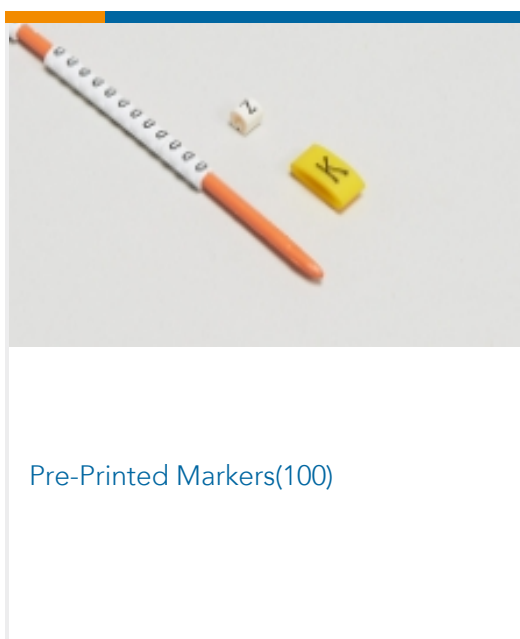
TE Part # 2-160975-1
CABLE TY 200X4.8 NAT



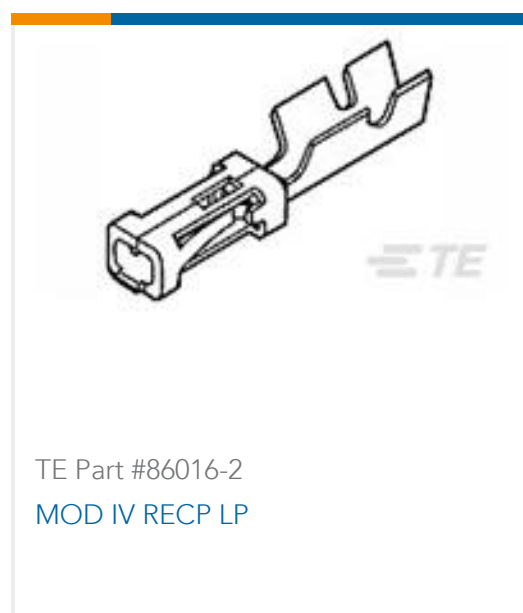
TE Part # 4-160975-1
CABLE TY 200X4.8 NAT



Also in the Series | **K-Type Marker**



Customers Also Bought

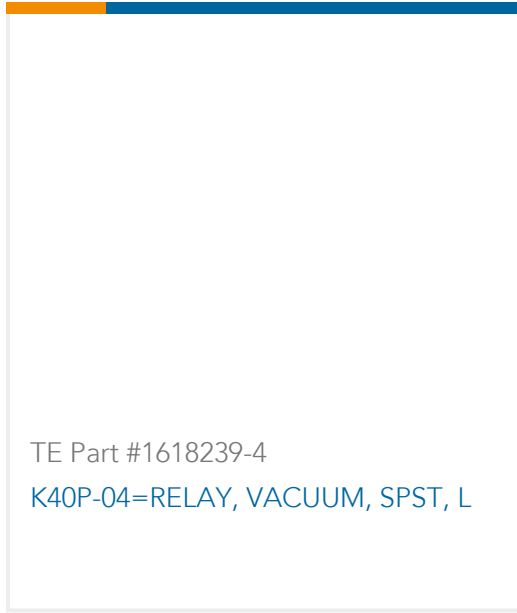




TE Part #EC6513-000
13611707



TE Part #EC6453-000
13611303



TE Part #1618239-4
K40P-04=RELAY, VACUUM, SPST, L



TE Part #1-1423695-1
W58-XB1A4A-0.5=CKTBKR,THERM,PB

Documents

Product Drawings

[13611202](#)

English

Datasheets & Catalog Pages

[K-TYPE Cable Makers](#)

English

Product Specifications

[RW-2535 Specification for Pre-Printed Markers](#)

English