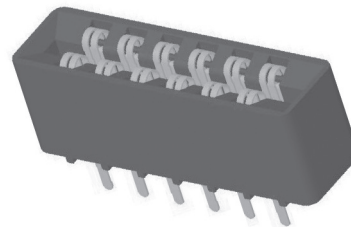




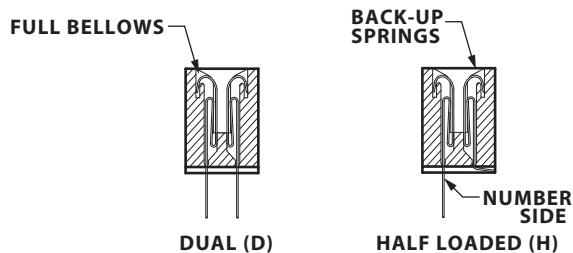
.156" [3.96 mm] Contact Centers, .431" [10.95 mm] Insulator Height, Dip Solder/Eyelet/Right Angle

SPECIFICATIONS

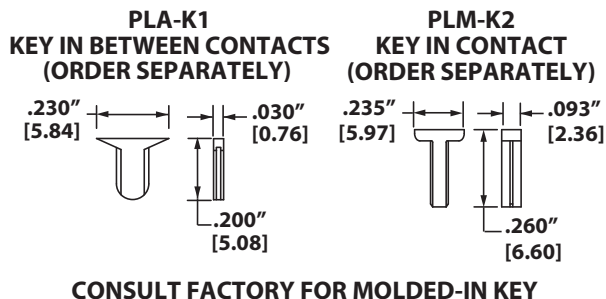
- Accommodates $.062" \pm .008"$ [1.57 mm \pm 0.20 mm] PC board
- Molded-in key available
- 3 Amps current rating for one contact energized (for 5 Amps application, consult factory)
- 30 milli Ohms maximum at rated current
- UL Flammability Rating: 94V-0



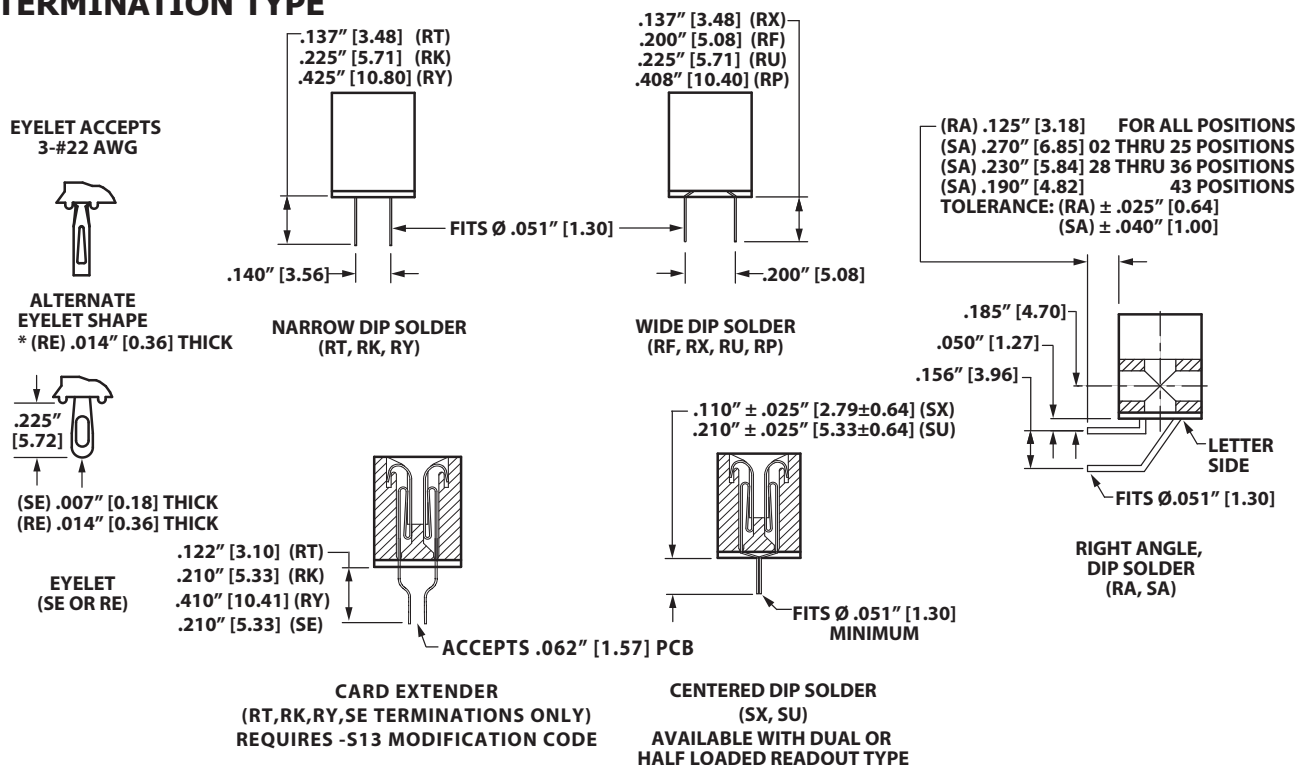
READOUT



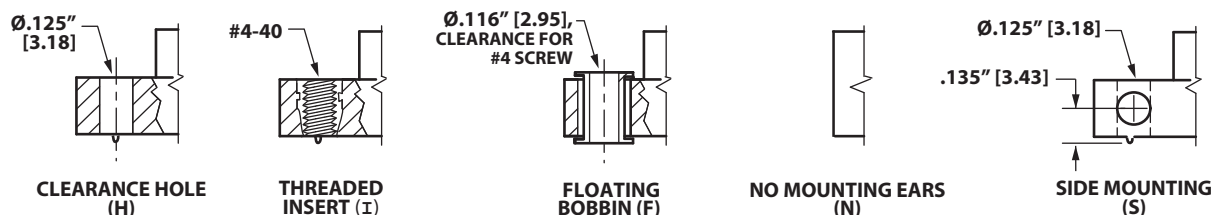
POLARIZING KEY



TERMINATION TYPE



MOUNTING STYLE



* Beryllium Copper & Beryllium Nickel (H, A, J, F, C & W Material Codes) Only.



.156" [3.96 mm] Contact Centers, .431" [10.95 mm] Insulator Height, Dip Solder/Eyelet/Right Angle

PART NUMBER OPTIONS

MATERIALS (INSULATOR/CONTACT)

- E = PBT/Phosphor Bronze (Standard)
- R = PPS/Phosphor Bronze
- G = PA9T/Phosphor Bronze
- H = PBT/Beryllium Copper
- A = PPS/Beryllium Copper
- J = PA9T/Beryllium Copper
- *F = PPS/Spinodal (Overall Gold Plating Only)
Consult Factory for Special Soldering Guidelines
- *C = PPS/Beryllium Nickel (Overall Gold Plating Only)
- *W = PEEK/Beryllium Nickel (Overall Gold Plating Only)
- *Consult factory for availability.
- Refer to Page 7 for Operating/Processing Temperatures

CONTACT FINISH - RoHS Compliant

All platings are Lead Free and have .000050" Nickel underplate

| Contact Surface | Termination |
|------------------------------|--------------------------|
| B = .000010" Gold | .000100" Pure Tin, Matte |
| C = .000030" Gold | .000100" Pure Tin, Matte |
| G = .000010" Gold | .000005" Gold |
| Y = .000030" Gold | .000005" Gold |
| Contact Surface | Overall Plating |
| S = .000010" Gold | .000010" Gold |
| M = .000030" Gold | .000010" Gold |
| E = .000100" Pure Tin, Matte | .000100" Pure Tin, Matte |

CONTACT CENTERS

M = .156" [3.96 mm]

NUMBER OF CONTACT POSITIONS

See Chart Below

E B M 43 D RK H - Sxxx

MODIFICATION CODE (Consult Factory)
OMIT FOR STANDARD

-S13 = Card Extender Accepts .062" [1.57 mm] PCB
(RT, RK, RY, SE Terminations Only)

MOUNTING STYLE (Opposite Page)

- H = .125" [3.18 mm] Clearance Holes
- N = No Mounting
- S = Side Mounting
- I = Threaded Insert
- F = Floating Bobbin

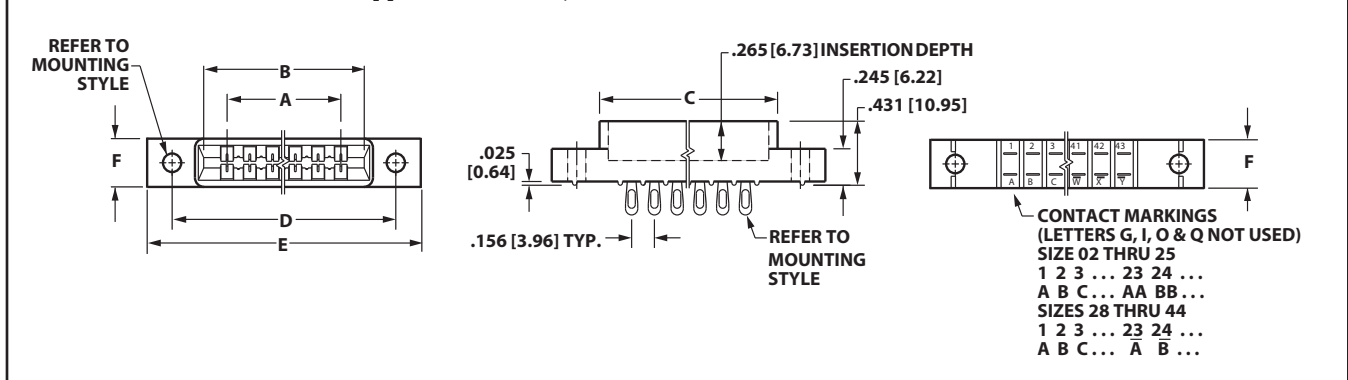
TERMINATION TYPE (Opposite Page)

- RA = .125" [3.18 mm] Right Angle Dip Solder
- SA = Long Right Angle Dip Solder
- RT = .140" X .137" [3.56 mm X 3.48 mm] Dip Solder
- RK = .140" X .225" [3.56 mm X 5.72 mm] Dip Solder
- RY = .140" X .425" [3.56 mm X 10.80 mm] Dip Solder
- RX = .200" X .137" [5.08 mm X 3.48 mm] Dip Solder
- RF = .200" X .200" [5.08 mm X 5.08 mm] Dip Solder
- RU = .200" X .225" [5.08 mm X 5.72 mm] Dip Solder
- RP = .200" X .408" [5.08 mm X 10.36 mm] Dip Solder
- SX = .110" [2.79 mm] Centered Dip Solder
- SU = .210" [5.33 mm] Centered Dip Solder
- SE = .007" [0.18 mm] Thick Eyelet
- RE = .014" [0.36 mm] Thick Eyelet

READOUT (Opposite Page)

- D = Dual
- D = Dual Row/ Crimp to Center for
Single Readout (SX, SU Termination Only)
- H = Half Loaded

DIMENSIONS Dimensions in [] are in millimeters, all others are in inches.



Tolerances on non-critical dimensions may vary slightly due to shrinkage differential per insulator material; Consult factory.

| POSITIONS/ CONTACTS | INCHES | | | | | MILLIMETERS | | | | | | | |
|------------------------|--------|--------|--------|--------------|-------|---------------|--------|--------|--------|--------------|--------|--------------|------|
| | A±.008 | B±.008 | C±.015 | D±.010 | E MAX | F+.005/-0.015 | A±0.20 | B±0.20 | C±0.38 | D±0.25 | E MAX | F+0.13/-0.38 | |
| 02/04 | 0.156 | 0.476 | 0.596 | 'N' MOUNTING | | 0.325 | 3.96 | 12.09 | 15.14 | 'N' MOUNTING | | | 8.26 |
| 03/06 | 0.312 | 0.632 | 0.752 | 'N' MOUNTING | | | 7.92 | 16.05 | 19.10 | 'N' MOUNTING | | | |
| 04/08* | 0.468 | 0.788 | 0.908 | 'N' MOUNTING | | | 11.89 | 20.02 | 23.06 | 'N' MOUNTING | | | |
| 06/12 | 0.780 | 1.100 | 1.220 | 1.533 | 1.902 | | 19.81 | 27.94 | 30.99 | 38.94 | 48.31 | | |
| 07/14 | 0.936 | 1.256 | 1.376 | 1.689 | 2.058 | | 23.77 | 31.90 | 34.95 | 42.90 | 52.27 | | |
| 08/16 | 1.092 | 1.412 | 1.532 | 1.845 | 2.214 | | 27.74 | 35.86 | 38.91 | 46.86 | 56.24 | | |
| 10/20 | 1.404 | 1.724 | 1.844 | 2.157 | 2.526 | | 35.66 | 43.79 | 46.84 | 54.79 | 64.16 | | |
| 11/22 | 1.560 | 1.880 | 2.000 | 2.313 | 2.682 | | 39.62 | 47.75 | 50.80 | 58.75 | 68.12 | | |
| 12/24 | 1.716 | 2.036 | 2.156 | 2.469 | 2.838 | | 43.59 | 51.71 | 54.76 | 62.71 | 72.09 | | |
| 15/30 | 2.184 | 2.504 | 2.624 | 2.937 | 3.306 | | 55.47 | 63.60 | 66.65 | 74.60 | 83.97 | | |
| 18/36 | 2.652 | 2.972 | 3.092 | 3.405 | 3.774 | | 67.36 | 75.49 | 78.54 | 86.49 | 95.86 | | |
| 22/44 | 3.276 | 3.596 | 3.716 | 4.029 | 4.398 | | 83.21 | 91.34 | 94.39 | 102.34 | 111.71 | | |
| 24/48 | 3.588 | 3.908 | 4.028 | 4.341 | 4.710 | | 91.14 | 99.26 | 102.31 | 110.26 | 119.63 | | |
| 25/50 | 3.744 | 4.064 | 4.184 | 4.497 | 4.866 | | 95.10 | 103.23 | 106.27 | 114.22 | 123.60 | | |
| 28/56 | 4.212 | 4.532 | 4.652 | 4.965 | 5.334 | | 106.98 | 115.11 | 118.16 | 126.11 | 135.48 | 11.13 | |
| 36/72 | 5.460 | 5.780 | 5.900 | 6.213 | 6.582 | | 138.68 | 146.81 | 149.86 | 157.81 | 167.18 | | |
| 43/86 | 6.552 | 6.872 | 6.992 | 7.305 | 7.674 | 166.42 | 174.55 | 177.60 | 185.55 | 194.92 | 12.70 | | |
| 44/88 | 6.708 | 7.028 | 7.148 | 7.461 | 7.830 | 170.38 | 178.51 | 181.56 | 189.51 | 198.88 | | | |

* Consult factory for availability.