



HMM

TE Internal #: E94125-000

Standard Labels, UL, Width 50.8 mm [2 in], Height 50.8 mm [2 in],
Matte Metalized Silver, Polyester, Label Thickness 107 Micron, HMM

[View on TE.com >](#)

Identification & Labeling > Labels > Standard Labels > HMM High Tack Metalized Polyester Labels



Label Type: **Industrial Label**

Label Style: **Die-Cut**

Label Adhesive Type: **High Tack Acrylic Adhesive**

Compatible With Agency/Standards Products: **UL**

Product Width: **50.8 mm [2 in]**

[All HMM High Tack Metalized Polyester Labels \(23\)](#)

Features

Product Type Features

Label Type	Industrial Label
------------	------------------

Body Features

Primary Product Color	Matte Metalized Silver
Primary Product Material	Polyester

Dimensions

Product Width	50.8 mm[2 in]
Product Height	50.8 mm[2 in]

Usage Conditions

Operating Temperature Range	-40 – 150 °C[-40 – 302 °F]
-----------------------------	----------------------------

Printer/Label Features

Number of Labels Across	1
Label Style	Die-Cut
Length of Label Roll	162 m[531.49 ft]
Label Thickness	107 Micron

Industry Standards

Compatible With Agency/Standards Products	UL
---	----



Packaging Features

Packaging Quantity	3000
Packaging Method	Roll

Other

Label Adhesive Type	High Tack Acrylic Adhesive
---------------------	----------------------------

Product Compliance

[For compliance documentation, visit the product page on TE.com>](#)

EU RoHS Directive 2011/65/EU	Compliant
EU ELV Directive 2000/53/EC	Compliant
China RoHS 2 Directive MIIT Order No 32, 2016	No Restricted Materials Above Threshold
EU REACH Regulation (EC) No. 1907/2006	Current ECHA Candidate List: JUNE 2023 (235) Candidate List Declared Against: JUNE 2023 (235) Does not contain REACH SVHC
Halogen Content	Not Yet Reviewed for halogen content
Solder Process Capability	Not applicable for solder process capability

Product Compliance Disclaimer

This information is provided based on reasonable inquiry of our suppliers and represents our current actual knowledge based on the information they provided. This information is subject to change. The part numbers that TE has identified as EU RoHS compliant have a maximum concentration of 0.1% by weight in homogenous materials for lead, hexavalent chromium, mercury, PBB, PBDE, DBP, BBP, DEHP, DIBP, and 0.01% for cadmium, or qualify for an exemption to these limits as defined in the Annexes of Directive 2011/65/EU (RoHS2). Finished electrical and electronic equipment products will be CE marked as required by Directive 2011/65/EU. Components may not be CE marked. Additionally, the part numbers that TE has identified as EU ELV compliant have a maximum concentration of 0.1% by weight in homogenous materials for lead, hexavalent chromium, and mercury, and 0.01% for cadmium, or qualify for an exemption to these limits as defined in the Annexes of Directive 2000/53/EC (ELV). Regarding the REACH Regulation, the information TE provides on SVHC in articles for this part number is based on the latest European Chemicals Agency (ECHA) 'Guidance on requirements for substances in articles' posted at this URL: <https://echa.europa.eu/guidance-documents/guidance-on-reach>

Compatible Parts



Also in the Series | **HMM**



Standard Labels(23)

Customers Also Bought



TE Part #DT04-2P
REC, 2P, GRY, N



TE Part #DT06-2S
PLG, 2P, GRY, N



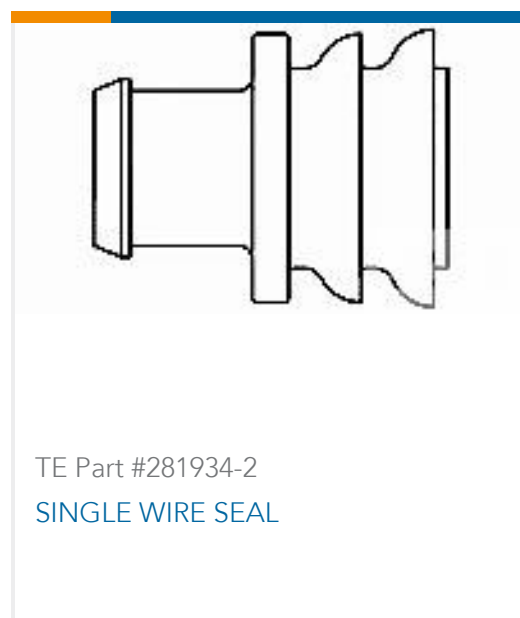
TE Part #W2S
Wedgelocks: DEUTSCH DT



TE Part #0462-201-16141
DEUTSCH Solid Contacts



TE Part #282104-1
AMP SUPERSEAL 1.5MM,
CONNECTOR HOUSING



TE Part #281934-2
SINGLE WIRE SEAL

Documents

Product Drawings

[HMM-508508-3-8A](#)

English

Datasheets & Catalog Pages

[IDENTIFICATION SELECTION GUIDE](#)

English

[HMM High Tack Matte Metalized Polyester](#)

English

Product Specifications

[IDENTIFICATION PRINTER PRODUCT RIBBON MATRIX](#)

English