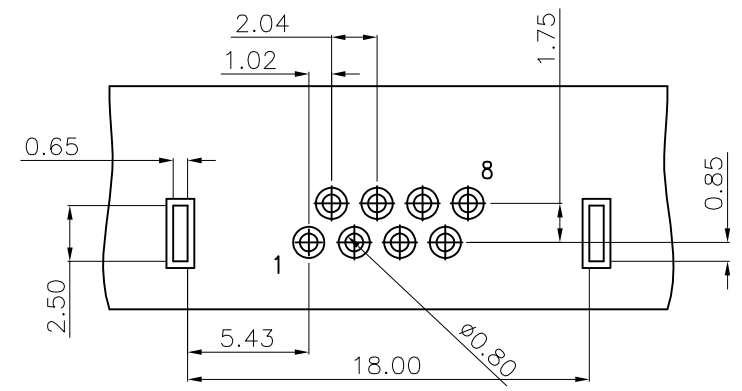
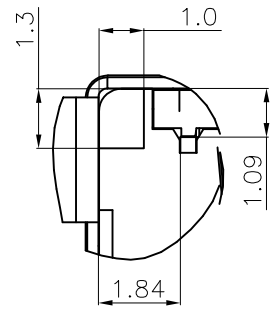
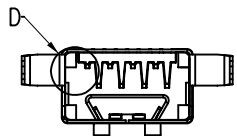
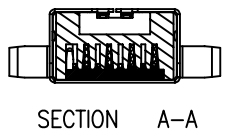
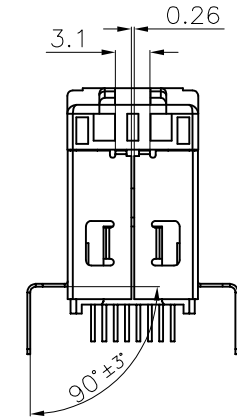
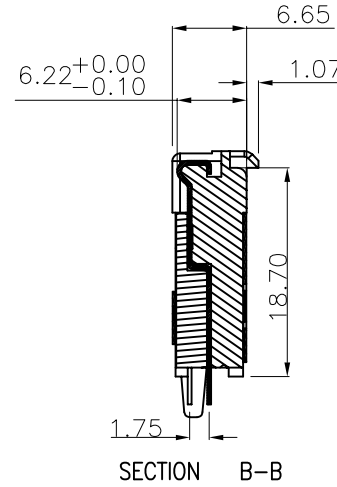
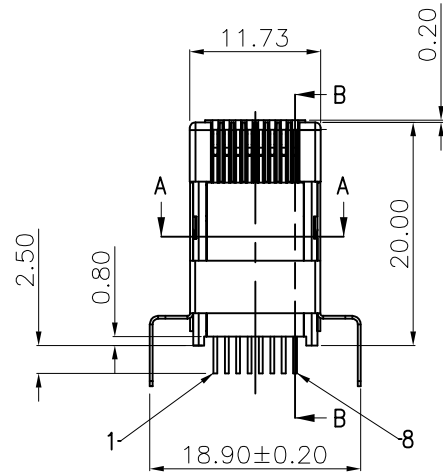
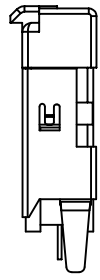
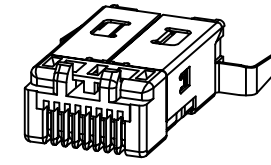
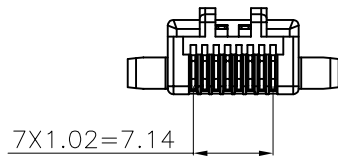
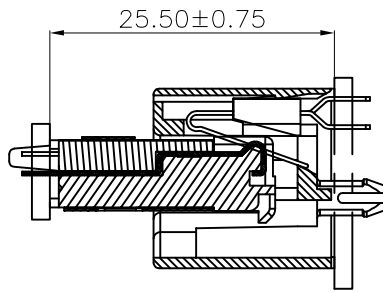


REVISION RECORD		
REV	DESCRIPTION	DRFT
2	CHANGE PLASTIC MATERIAL AND SHIELD PLATING	LKUANGL 08/01/16



PC BOARD LAYOUT T=1.60mm
COMPONENT SIDE SHOWN
TOLERANCES±0.05mm
SCALE 4:1

- NOTE:
- 1.PLASTIC MATERIAL : GLASS FIBER FILLED NYLON(PA10T). UL94V-0, COLOR-BLACK.
 - 2.OPERATION TEMPERATURE RANGE: -40°C TO 85°C.
 - 3.PLATING-CONTACT : 50u" AU IN CONTACT AREA, 100u" TIN IN SOLDER AREA, FLASH AU IN OTHER AREA AND 50u" NICKEL UNDERPLATING.
SHIELD : COPPER ALLOY WITH NICKEL PLATING
 - 4.BURR : 0.05mm MAX.
 - 5.PLUG IS DESIGNED BY PULSE TO MATCH WITH FEMALE PCB HEADER.
TEH DISTANCE IS 25.5mm±0.75 BETWEEN TWO BOARDS.
 - 6.REFLOW SOLDERING PEAK TEMPERATURE: 260°C FOR 10 SECONDS.

E5088-01C6R5-L	50u"
PART NO.	Au PLATING

MM (INCH)		RoHS Compliant		Pulse Electronics	
TOLERANCES EXCEPT AS NOTED		TITLE			
MM	±	VERTICAL RJ45 PLUG			
.0 ± 0.25	±	DFTO : Lynn		DRAWING NO.	CE5088-01C6R5-L
.00 ± 0.20	±	DATE : 5/15/2014		/PART NO.	E5088-01C6R5-L
.000 ± 0.10	±	SCALE : 2:1		DO NOT SCALE DRAWING	SHEET 1 OF 1
ANGLES ± 1'		THIRD ANGLE PROJECTION		SIZE	A3
				REV	2