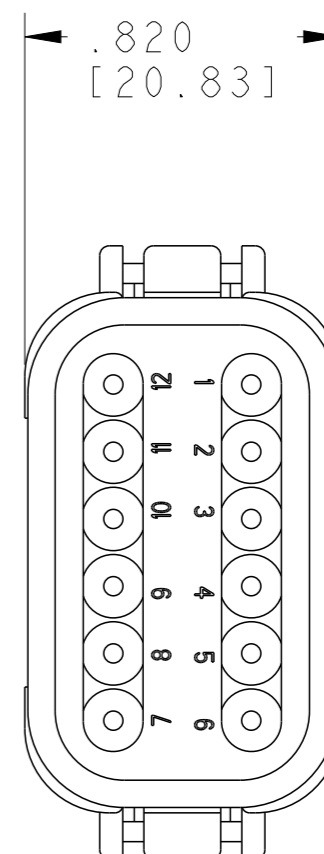
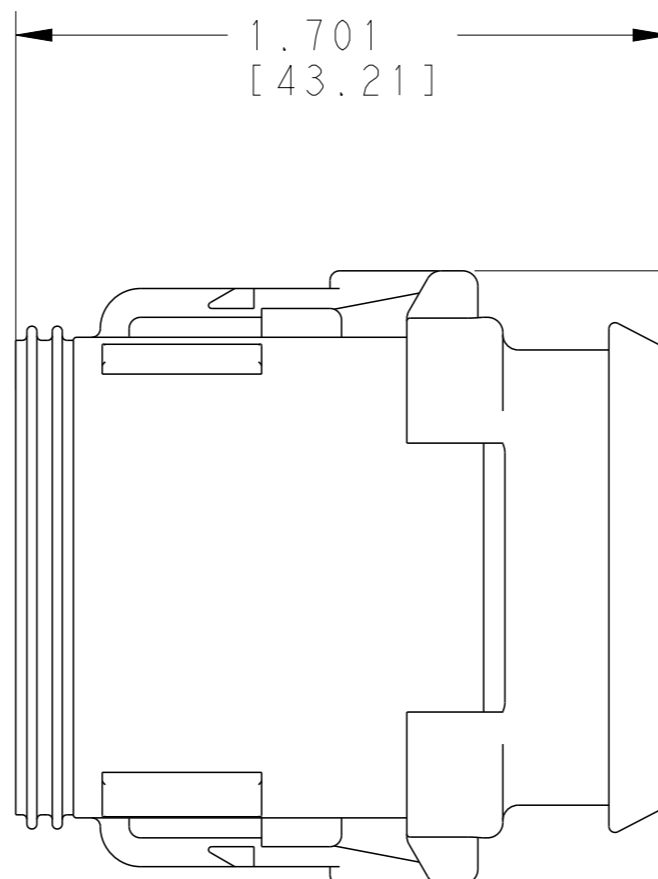
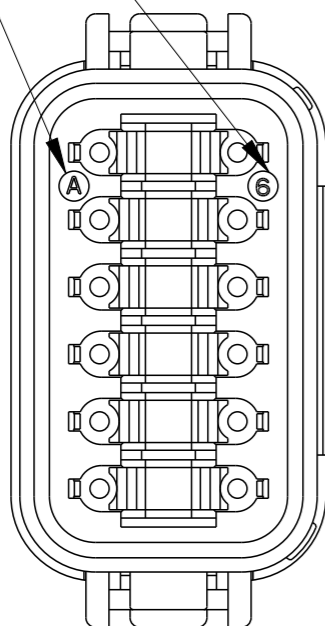


REVISIONS

P	LTR	DESCRIPTION	DATE	DWN	APVD
	A	INITIAL RELEASE	16MAY2019	AP	DM

DATE CODE: MONTH REPRESENTED BY SEQUENTIAL ALPHA CHARACTERS.
 EX. A = JANUARY
 YEAR IS REPRESENTED BY LAST NUMERICAL DIGIT.
 EX. 6 = 2016



4. MATERIAL: HOUSING: PA66 GF15, SEE SHEET 2 FOR COLOR.
 GROMMET: VMQ (RED-ORANGE)
 SEAL: VMQ (RED-ORANGE)

3. THIS PLUG MATERS WITH DT04-12PX-XXXX RECEPTACLE.
 (X = A,B KEY ARRANGEMENT; XXXX = ALL MODIFICATIONS).

2. FOR CONTACTS AND WIRE PERFORMANCE AND APPLICATION CHARACTERISTICS, SEE ENVELOPE DRAWINGS 0425-015-0000.

1. WEDGE LOCK SOLD SEPARATELY: W12S

NOTES:

TE INTERNAL PN	DEUTSCH PN
DT06-12SA-E008	DT06-12SA-E008
DT06-12SB-E008	DT06-12SB-E008

CONTACT SIZE	MIN. INSUL O.D.	MAX. INSUL O.D.	WIRE RANGE [mm ²] REF. ONLY
16	.088 [2.24]	.145 [3.68]	14-20 AWG [2.5-0.5]

THIS DRAWING IS A CONTROLLED DOCUMENT.

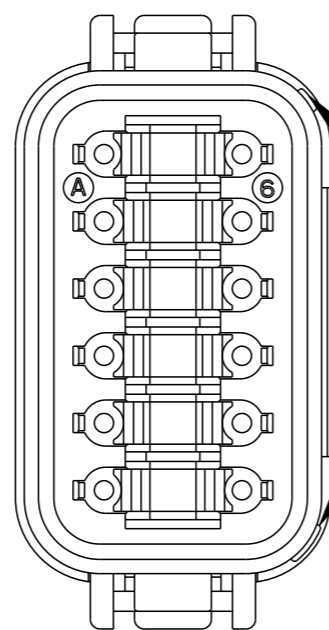
DIMENSIONS: INCHES [mm]	TOLERANCES UNLESS OTHERWISE SPECIFIED:	DWN A. POLO 16-May-19									
	0 PLC ±- 1 PLC ±- 2 PLC ±- 3 PLC ±.025[.64] 4 PLC ±- ANGLES ±0°30'0"	CHK R. MESSENGER 16-May-19									
		APVD D. MEYER 16-May-19									
		PRODUCT SPEC 108-151009									
MATERIAL 4	FINISH -	APPLICATION SPEC 114-151009	12 WAY PLUG W/ SHRINK BOOT CAP DT SERIES								
		WEIGHT 19 G	<table border="1"> <tr> <th>SIZE</th> <th>CAGE CODE</th> <th>DRAWING NO</th> <th>RESTRICTED TO</th> </tr> <tr> <td>A3</td> <td>4AFU8</td> <td>DT06-12SX-E008</td> <td>-</td> </tr> </table>	SIZE	CAGE CODE	DRAWING NO	RESTRICTED TO	A3	4AFU8	DT06-12SX-E008	-
SIZE	CAGE CODE	DRAWING NO	RESTRICTED TO								
A3	4AFU8	DT06-12SX-E008	-								
		CUSTOMER DRAWING	<table border="1"> <tr> <th>SCALE</th> <th>SHEET</th> <th>OF</th> <th>REV</th> </tr> <tr> <td>2:1</td> <td>1</td> <td>2</td> <td>A</td> </tr> </table>	SCALE	SHEET	OF	REV	2:1	1	2	A
SCALE	SHEET	OF	REV								
2:1	1	2	A								

REVISIONS

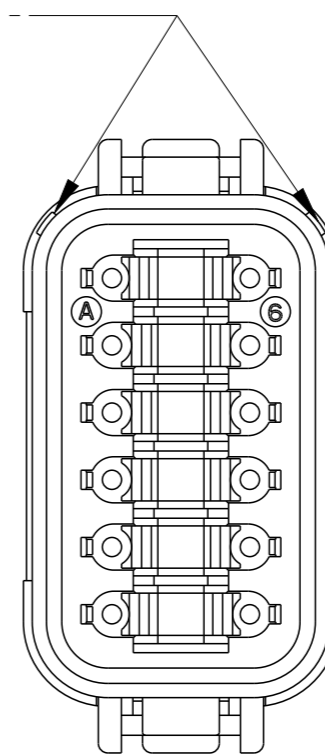
P	LTR	DESCRIPTION	DATE	DWN	APVD
-		SEE SHEET 1	-	-	-

PART NO.: DT06-12SA-E008
 KEY ARR. -A-
 HOUSING AND CAP COLOR: GRAY


PART NO.: DT06-12SB-E008
 KEY ARR. -B-
 HOUSING AND CAP COLOR: BLACK



KEY -A-



KEY -B-

THIS DRAWING IS A CONTROLLED DOCUMENT.		DWN A. POLO 16-May-19	 TE Connectivity		
DIMENSIONS: INCHES [mm]		CHK R. MESSENGER 16-May-19			
TOLERANCES UNLESS OTHERWISE SPECIFIED:		APVD D. MEYER 16-May-19	NAME 12 WAY PLUG W/ SHRINK BOOT CAP DT SERIES		
0 PLC ±- 1 PLC ±- 2 PLC ±- 3 PLC ±.025 [.64] 4 PLC ±- ANGLES ±0° 30' 0"		PRODUCT SPEC 108-151009	RESTRICTED TO		
MATERIAL 4		APPLICATION SPEC 114-151009	SIZE A3	CAGE CODE 4AFU8	DRAWING NO DT06-12SX-E008
FINISH -		WEIGHT 19 G	SCALE 2:1		SHEET 2 OF 2
		CUSTOMER DRAWING	REV A		