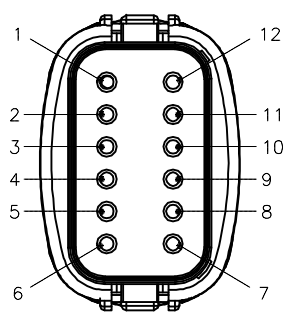
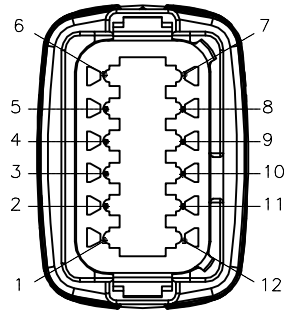


(J1) DEUTSCH END VIEW: FEMALE (P1) DEUTSCH END VIEW: MALE

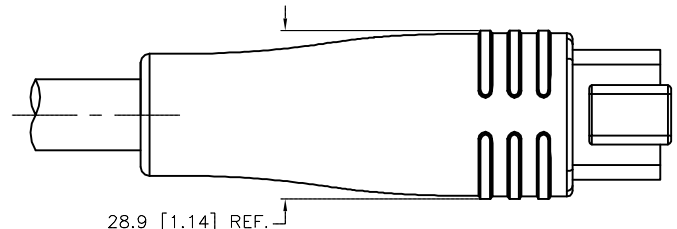
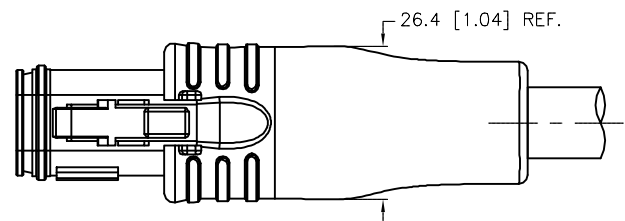


- 1 = ORANGE
- 2 = BLUE
- 3 = WHITE/BLACK
- 4 = RED/BLACK
- 5 = GREEN/BLACK
- 6 = ORANGE/BLACK
- 7 = BLUE/BLACK
- 8 = BLACK/WHITE
- 9 = GREEN
- 10 = RED
- 11 = WHITE
- 12 = BLACK

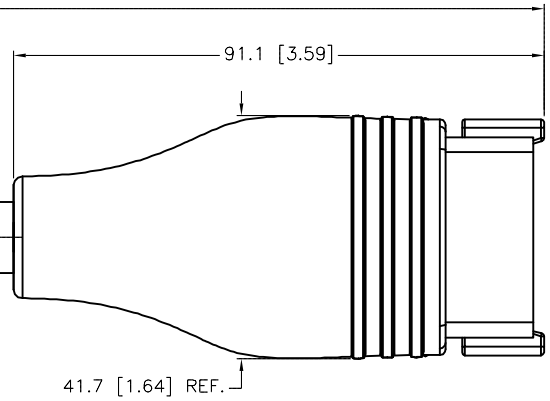
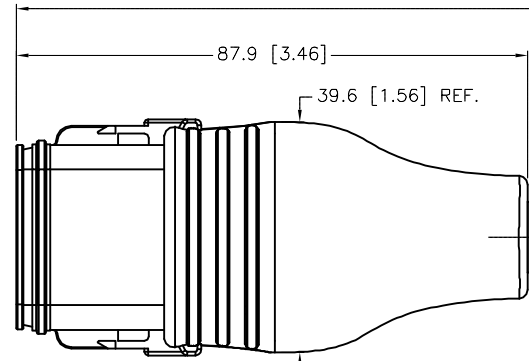


SPECIFICATIONS

DEUTSCH CONNECTOR (J1)	DT06-12SA-E008
DEUTSCH WEDGELOCK (J1)	W12S
DEUTSCH TERMINALS (J1)	0462-201-16141
DEUTSCH TERMINALS (P1)	0460-202-16141
DEUTSCH CONNECTOR (P1)	DT04-12PA
DEUTSCH WEDGELOCK (P1)	W12P
RATED CURRENT [A]	6.0 A
MOLDED HEAD MATERIAL/COLOR	TPU/BLACK
OUTER JACKET MATERIAL/COLOR	TPE/BLACK
CONDUCTOR INSULATION MATERIAL	PVC
NUMBER OF CONDUCTORS [AWG]	12x18 AWG
PROTECTION CLASS	IP67



\* METERS  
SEE NOTE 1



J1

P1

CABLE LENGTH	TOLERANCE*
ALL LENGTHS	+ 4% (OR 50mm) OF LENGTH - 0% (OR 0mm) OF LENGTH WHICHEVER IS GREATER
STRIP LENGTH	TOLERANCE*
0-7mm	±0.5mm
8-29mm	±1.0mm
30-49mm	±2.0mm
50-69mm	±3.0mm
70-100mm	±4.0mm
OVER 100mm	±5.0mm

\* UNLESS OTHERWISE SPECIFIED

NOTES:

1. "\*" INDICATES CABLE LENGTH IN METERS. CONTACT TURCK TO ORDER SPECIFIC LENGTHS.

SOURCE DRAWING - FOR REFERENCE ONLY

RELATED DOCUMENTS 1. 2. 3. 4.	3RD ANGLE PROJECTION 	THIS DRAWING IS CONFIDENTIAL AND THE PROPERTY OF TURCK INC. USE OF THIS DOCUMENT WITHOUT WRITTEN PERMISSION IS PROHIBITED.		 3000 CAMPUS DRIVE MINNEAPOLIS, MN 55441 1-800-544-7769 (763) 553-7300 (763) 553-0708 fax www.turck.us
		DRFT NF	DATE 07/01/15	
MATERIAL SEE SPECIFICATIONS	ALL DIMENSIONS DISPLAYED ON THIS DRAWING ARE FOR REFERENCE ONLY	APVD C.K.	SCALE 1=1.3	IDENTIFICATION NO.
FINISH SEE SPECIFICATIONS		UNIT OF MEASUREMENT <b>MILLIMETER [ INCH ]</b>		
DO NOT SCALE THIS DRAWING		FILE: 777035481		SHEET 1 OF 1

C	UPDATED INSULATION MATERIAL AND REMOVE CABLE APPROVALS PER ECO	TV	07/27/16	53419
REV	DESCRIPTION	BY	DATE	ECO NO.