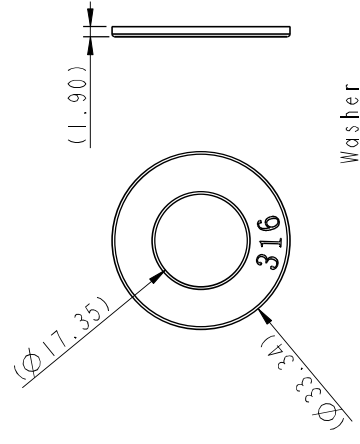
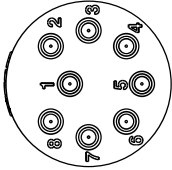
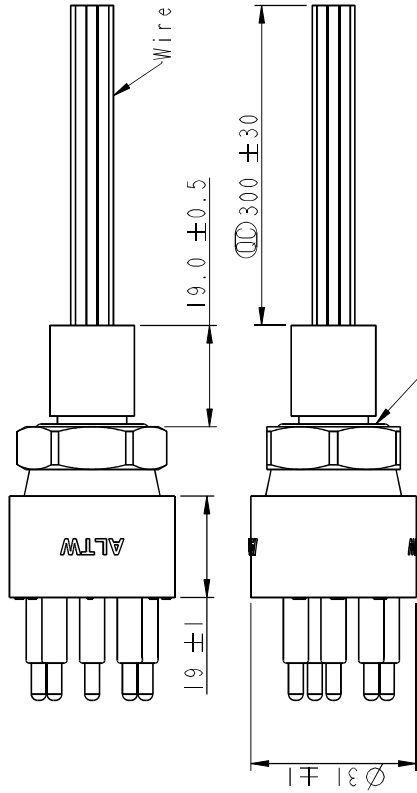


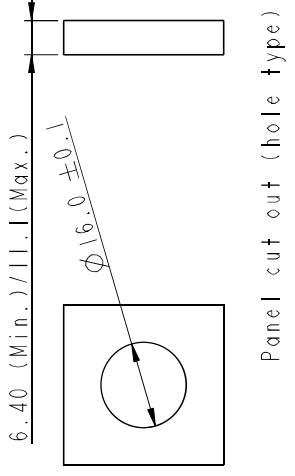
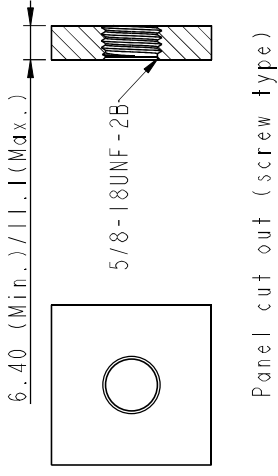
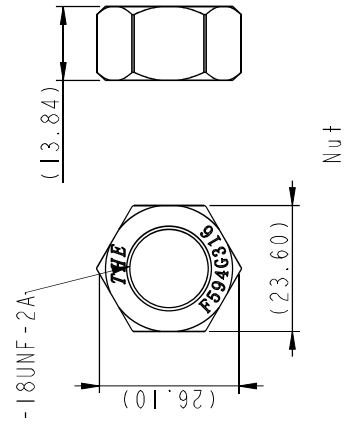
F	REV. A	ECN NO.	DATE	SIGN	DESCRIPTION
A	A		2022/09/30	Eagle	Rev.01 to Rev.A
E	DT-HCN-XXRMM-RHA30 G3: 3Pin G4: 4Pin G6: 6Pin O8: 8Pin I2: 12Pin				
D	Panel cut out (screw type) 6.40 (Min.)/11.1(Max.)				
C	Panel cut out (hole type) 6.40 (Min.)/11.1(Max.) R0.25(Max.)				
B	Washer (3.08)				
A	Nut (27.9) (31.87) (1.62)				
Note: * Important Dimension. * Waterproof Rate: Hadopelagic 7000M, Mated. * Connector Housing: Rubber, Black. Pin: Copper Alloy, Gold Plated. O-Ring: Rubber, Black. Shield: Metal. Nut: Metal. Washer: Metal. Wire: UL10393 18 AWG, OD 1.81mm Washer and nut are packed separately in PE bag.					
UNIT: mm TOLERANCE ±0.5					
TITLE DT, HAD CIRCULAR MINI REAR FASTENED, M, M					
SCALE 1:1 SHEET 1 OF 5 REV. A NC-REV. A.5 (C): Inspection item					
ITEM NO DT-HCN-XXRMM-RHA30 CUSTOMER ALTW					
DRAWN BY Eagle CHECKED BY Aric APPROVED BY Max					
DATE 2022/09/30 DATE 2022/09/30 DATE 2022/09/30					
Amphenol LTW 安費諾亮泰企業股份有限公司					
8 WJ0814-03-0001A2					

8 7 6 5 4 3 2 1

For 6P/8P



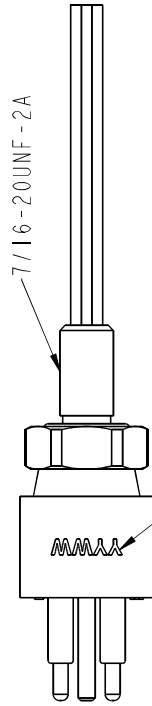
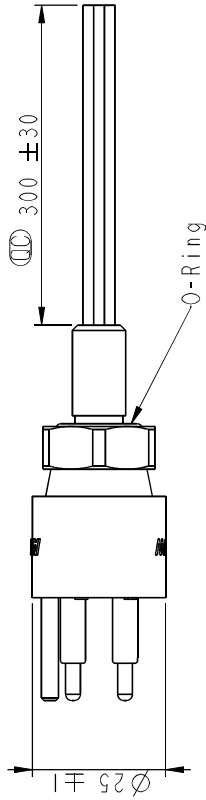
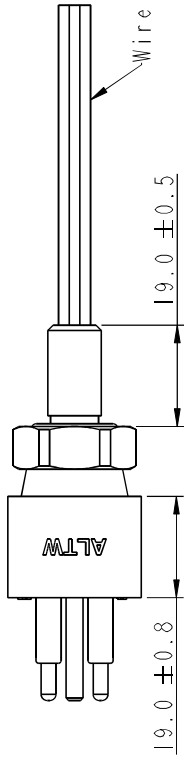
Date Code (Laser mark)
YY (年)
WW (週)



UNIT: mm	TITLE	ITEM NO	DRAWN BY	DATE
TOLEANCE ±0.5	DT, HAD CIRCULAR MINI REAR FASTENED, M, M		Eagle	2022/09/30
SCALE 1:1	SHEET 2 OF 5	ENG NO	CHECKED BY	DATE
REV. A	INC-REV. A.5	DT-HCN-XXRMM-RHA30	Ar ic	2022/09/30
	QC: Inspection item	CUSTOMER	APPROVED BY	DATE
		ALTW	Max	2022/09/30
				8 WJ0814-03-NWJ1A2

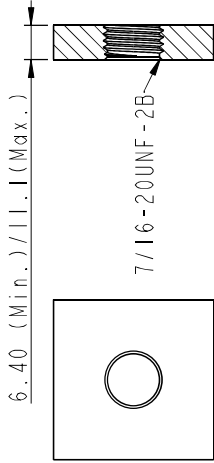
8 7 6 5 4 3 2 1

For 3P/4P



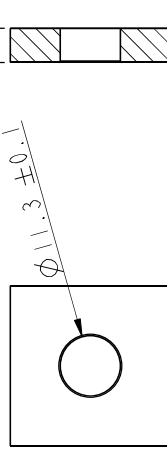
① Date Code (Laser mark)
YY (年)
WW (週)

6.40 (Min.)/11.1(Max.)

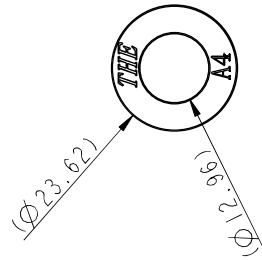


Panel cut out (screw type)

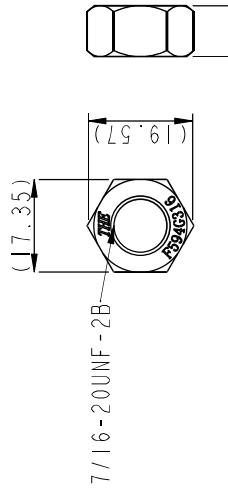
6.40 (Min.)/11.1(Max.)



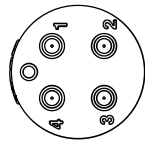
Panel cut out (hole type)



Washer



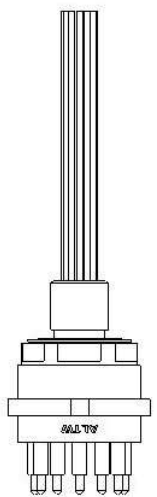
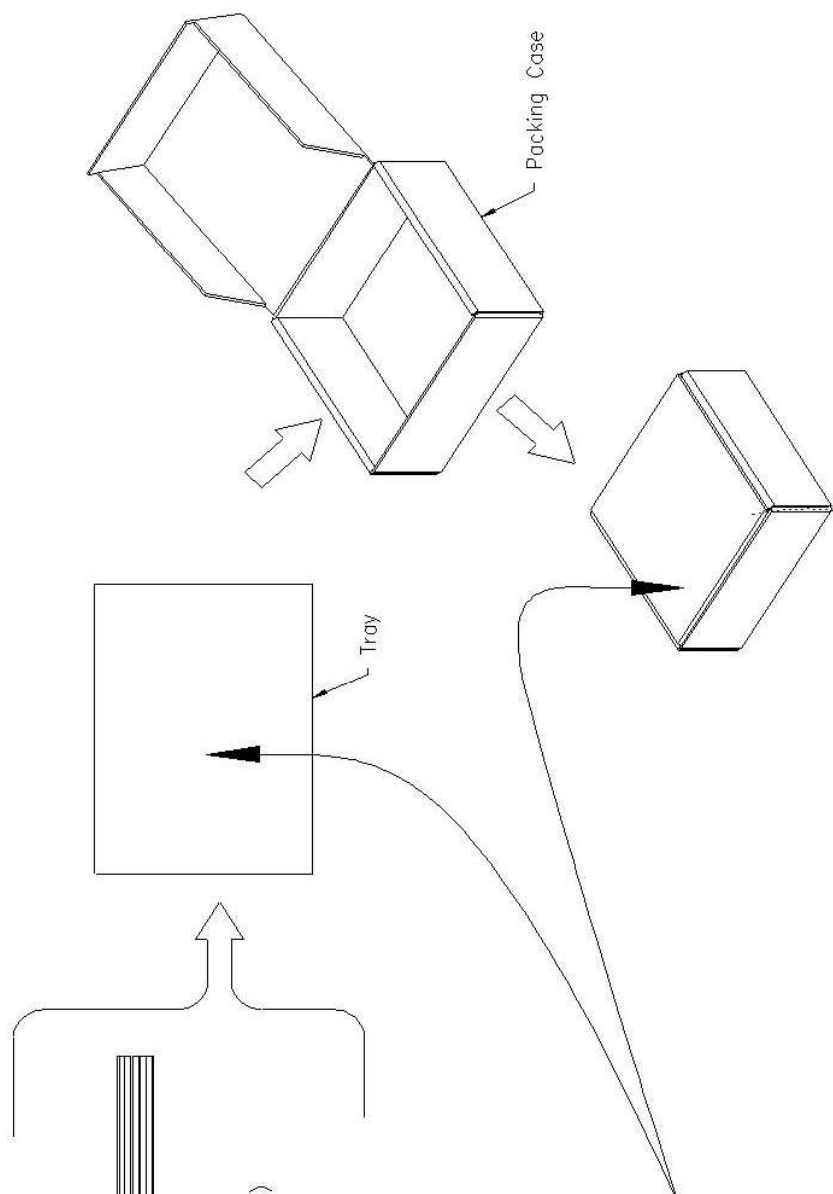
Nut



UNIT: mm	TITLE	ITEM NO	DRAWN BY	DATE
TOLEANCE ±0.5	DT, HAD CIRCULAR MINI REAR FASTENED, M, M		Eagle	2022/09/30
SCALE 1:1	SHEET A4	DT-HCN-XXRMM-RHA30	CHECKED BY	DATE
REV. A	REV. A.5	ALTW	Ar ic	2022/09/30
	①: Inspection item		APPROVED BY	DATE
			Max	2022/09/30

Amphenol LTW
安費諾亮泰企業股份有限公司

8
7
6
5
4
3
2



3P/4P/6P/8P: 10PCS(Max.)
12P: 8PCS(Max.)

年 月 ALTW 合格品 RoHS2.0

料號: _____ 廠商: 昆山安費諾正日電子

數量: _____ PC 日期: _____

Lot No: _____ 版本: _____

採購單號: _____

廠商料號: _____

UNIT: mm		TITLE	DT, HAD CIRCULAR MINI REAR FASTENED, M, M	ITEM NO	DATE
TOLERANCE ±0.5	SCALE 1:1	STATE A4	SHEET 5 OF 5	DT-HCN-XXRMM-RHA30	2022/09/30
	REV. A	WC-REV. A.5	Ⓞ: Inspection item	ALTW	2022/09/30
				Max	2022/09/30
				Ar ic	2022/09/30
				Eagle	2022/09/30
				DRWN BY	DATE

Amphenol LTW
安費諾亮泰企業股份有限公司

8
7
6
5
4
3
2