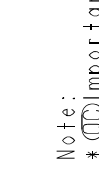
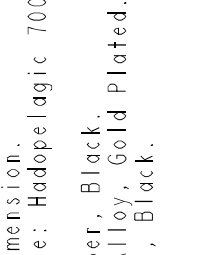
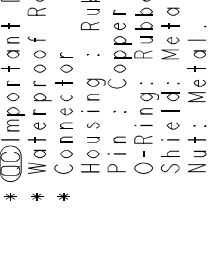
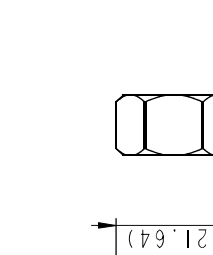
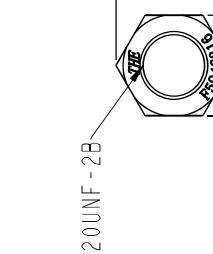

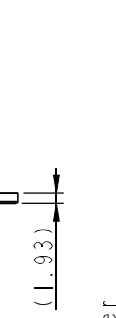



F	DT-HCM-XXRFF-RHA30	REV. ECN NO. DATE SIGN	A 2022/09/30 Eagle	DESCRIPTION	Rev.01 to Rev.A	7	8
E	<p>G3: 3Pin G4: 4Pin 06: 6Pin 08: 8Pin 12: 12Pin</p> 	<p>For 12P</p> 					<p>1/2-20UNF-2B</p> <p>Panel cut out (screw type)</p> <p>Panel cut out (hole type)</p>
D			<p>Washer</p> <p>Nut</p>				

UNIT: mm	TITLE	DRAWN BY	DATE
TOLERANCE ±0.5	DT, HAD CIRCULAR MICRO REAR FASTENED, F, F	Eagle	2022/09/30
SCALE 1:1	SITE A4	CHECKED BY	DATE
REV. A	SHEET 1 OF 4	DT-HCM-XXRFF-RHA30	2022/09/30
REV. A	REV. A.5	CUSTOMER	DATE
	Inspection item	ALTW	APPROVED BY
		Max	Max
		7	7
		8	8

# Amphenol LTW

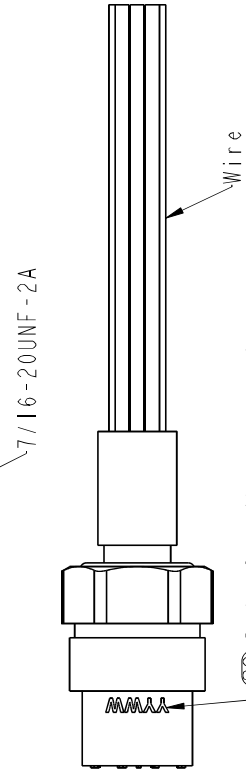
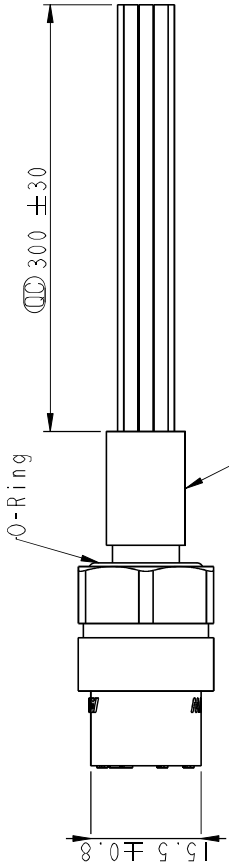
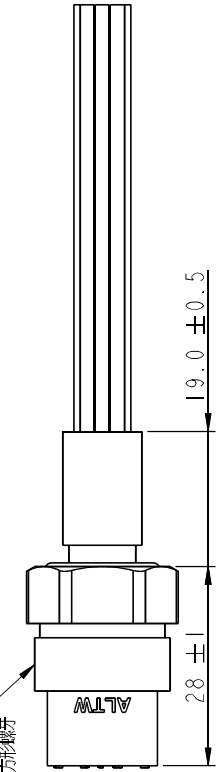
安費諾亮泰企業股份有限公司

- Note:
- \*  $\varnothing$  Important Dimension.
  - \* Waterproof Rate: Hadopelagic 7000M, Mated.
  - \* Connector
  - Housing: Rubber, Black.
  - Pin: Copper Alloy, Gold Plated.
  - O-Ring: Rubber, Black.
  - Shield: Metal.
  - Nut: Metal.
  - Washer: Metal.
  - Wire:
    - UL10393 18 AWG, OD 1.81mm for 3P/4P
    - UL1815 22 AWG, OD 1.46mm for 6P/8P
    - UL1815 20 AWG, OD 1.56mm for 12P
  - \* Washer and nut are packed separately in PE bag.

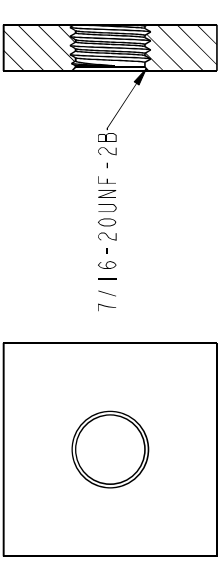
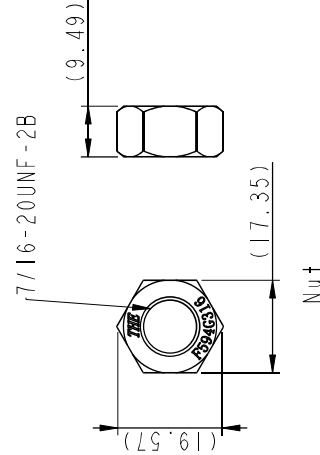
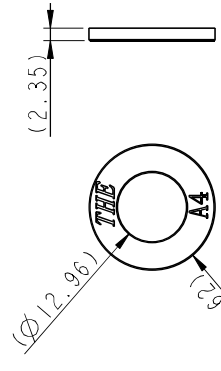
8 7 6 5 4 3 2 1

For 3P/4P/6P/8P

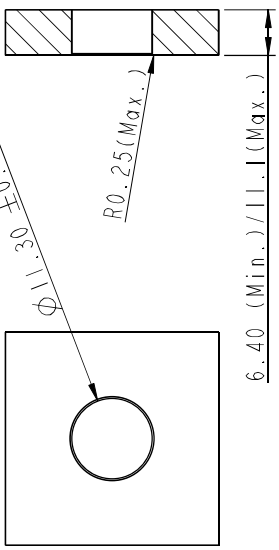
Special square thread  
特殊方形螺牙



Date Code (Laser mark)  
YY(年)  
WW(週)



6.40 (Min.)/11.1 (Max.)  
Panel cut out (screw type)

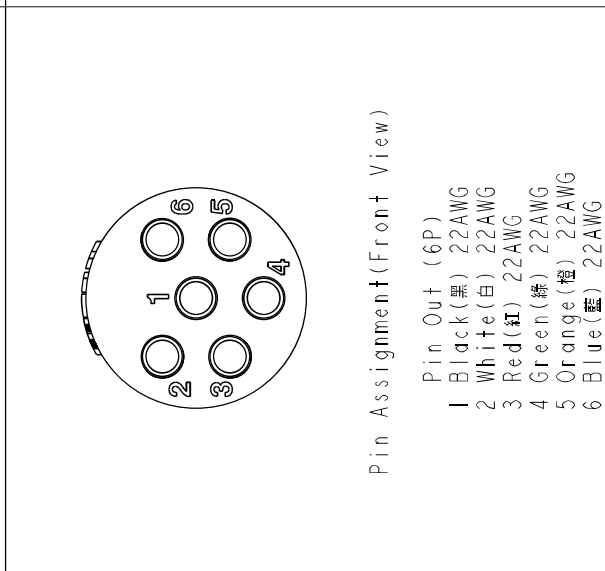
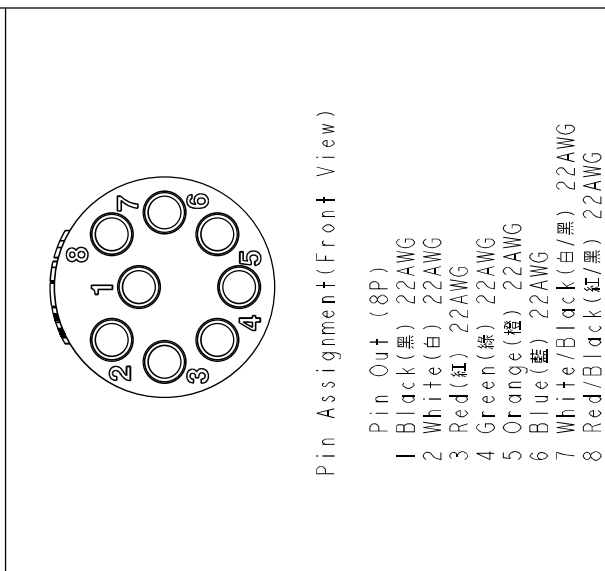
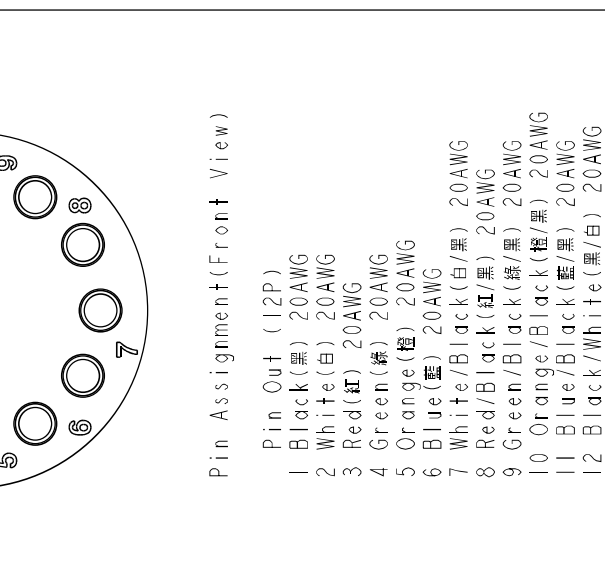
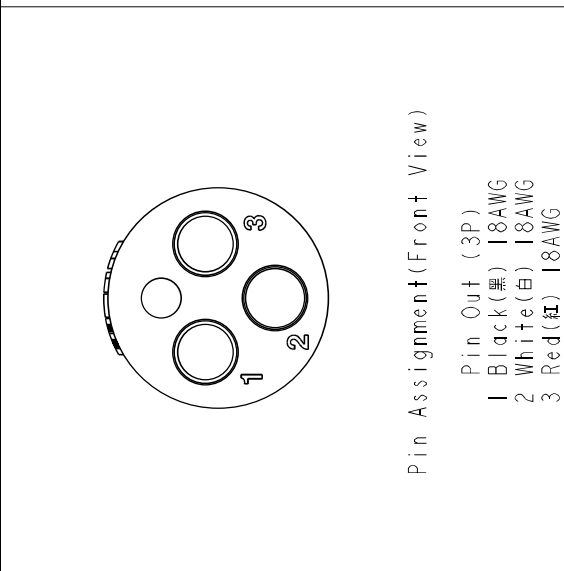
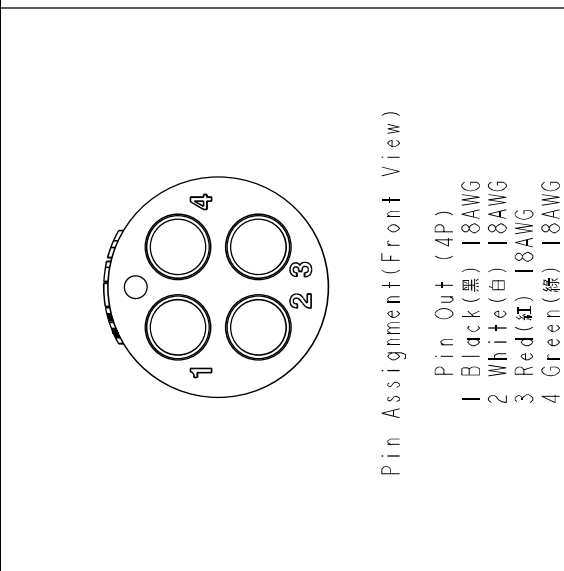
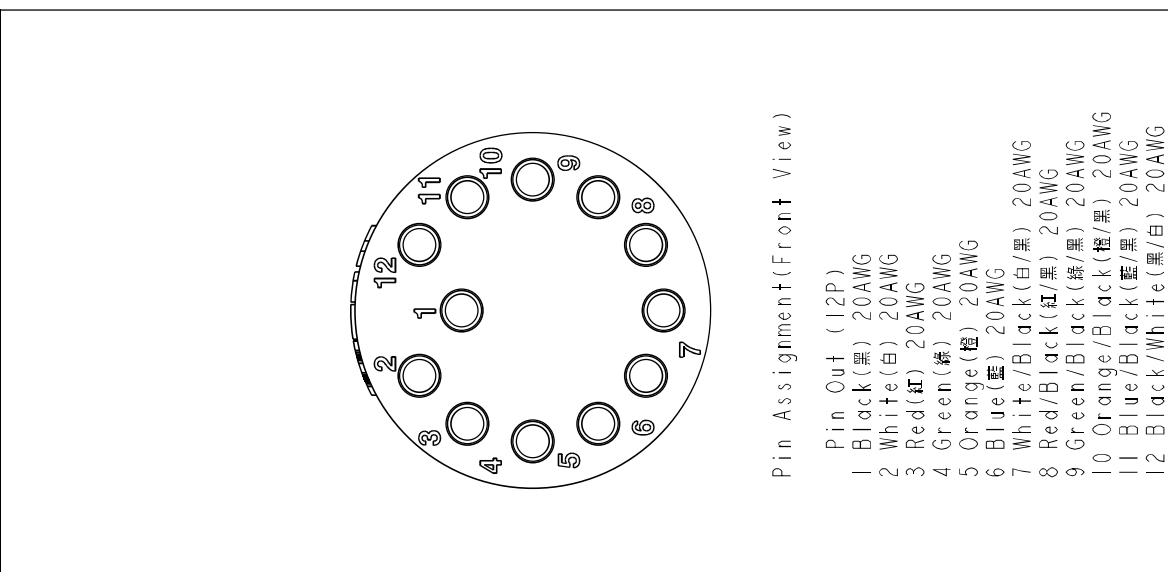


6.40 (Min.)/11.1 (Max.)  
Panel cut out (hole type)

UNIT: mm		TITLE		ITEM NO		DRAWN BY	DATE
TOLERANCE ±0.5		DT, HAD CIRCULAR MICRO REAR FASTENED, F, F		DT-HCM-XXRFF-RHA30		Eagle	2022/09/30
		SCALE 1:1	SHEET A4	DT-HCM-XXRFF-RHA30		CHECKED BY	DATE
		REV. A	REV. A.5	ALTW		APPROVED BY	DATE
			OF 4	Max		Max	2022/09/30
			①: Inspection item	7		8	
				6		WID0814-03-MWD1A2	

**Amphenol LTW**  
安費諾亮泰企業股份有限公司

8 7 6 5 4 3 2 1



UNIT: mm		ITEM NO	DRAWN BY	DATE
TOLERANCE		Amphenol LTW		
SCALE 1:2	SIZE A4	DT-HCM-XXRFF-RHA30	CREATED BY	Eagle
REV. A	NC-REV.	ALTW	APPROVED BY	Max
			DATE	2022/09/30
			DATE	2022/09/30
			DATE	2022/09/30

**Amphenol LTW**  
安費諾亮泰企業股份有限公司

DT, HAD CIRCULAR MICRO REAR FASTENED, F, F

SHEET 3 OF 4

Inspection item

