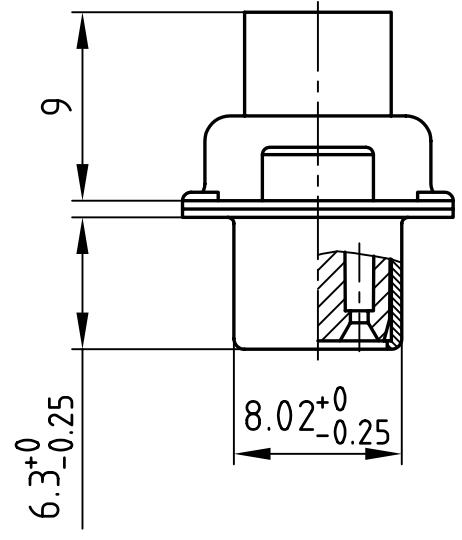
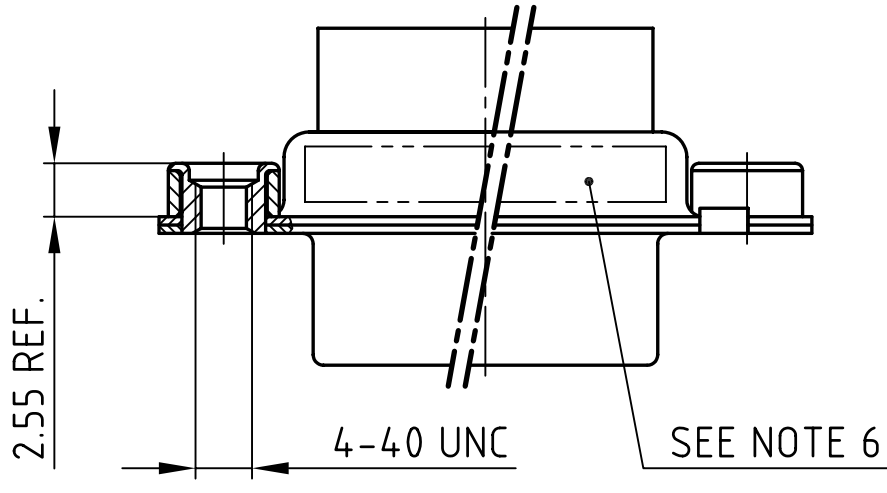
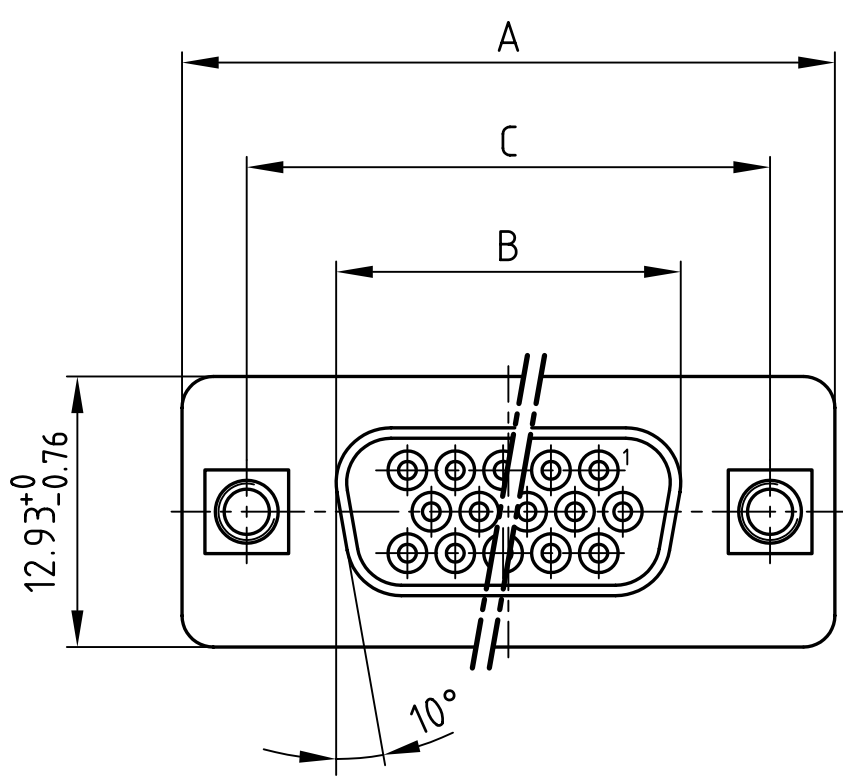


used for: D-SUB HD

POS.	A ^{-0.76}	B ^{-0.25}	C	Part-NO.
15	31.19	16.46	25.00 ^{+0.12} / _{-0.13}	DSH1XSXXG04X
26	39.52	24.79	33.30 ^{+0.15} / _{-0.1}	DSH2XSXXG04X
44	53.42	38.50	47.04 ±0.13	DSH3XSXXG04X
62	69.70	54.96	63.50 ±0.13	DSH4XSXXG04X



Directive 2002/95/EC
"RoHS"
Compliant

NOTES:

1. METALSHELLS: STEEL; min. 320µin TIN
2. INSULATORS: PBT GF UL 94 V-0, BLACK
3. THREADED INSERT: COPPER ALLOY; min. 200µin TIN over 80µin NICKEL
4. COLLAR: COPPER ALLOY; min. 200µin TIN over 80µin NICKEL
5. MAXIMUM TORQUE VALUE FOR THREAD: 6 in.LB
6. CONNECTOR IS PART MARKED: PART-NO. CONEC ABC

APPROVAL # FREIGABE # DEBLOCAGE # AUTORIZACION # APPROVAL	
CUSTOMER APPROVAL DATE:	
NAME:	TITLE:
COMPANY NAME:	
APPROVAL # FREIGABE # DEBLOCAGE # AUTORIZACION # APPROVAL	

THIS DRAWING MAY NOT BE COPIED OR REPRODUCED IN ANY WAY, AND MAY NOT BE PASSED ON TO A THIRD PARTY WITHOUT WRITTEN PERMISSION.
 OWNERSHIP AND COPYRIGHT OF CONEC GmbH
 DO NOT ALTER CAD DRAWING BY HAND

rev.	description	date	name



tolerance	dim. in mm	scale:	2:1
		material:	SEE NOTES
2004	date	name	title:
drawn	20.10.	Schmidt	D-SUB HD FEMALE 15-62pos. CRIMP STYLE with threaded insert
appd.	20.10.	Mickenbecker	
norm			
d-old			
dwg no:		AutoCAD 2004	DIN-A
		16K1A1249	4
			sh: 1/1
part no:		SEE TABLE	