

# DS26C32AT/DS26C32AM

## Quad Differential Line Receiver

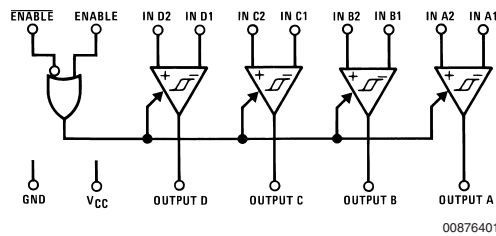
### General Description

The DS26C32A is a quad differential line receiver designed to meet the RS-422, RS-423, and Federal Standards 1020 and 1030 for balanced and unbalanced digital data transmission, while retaining the low power characteristics of CMOS. The DS26C32A has an input sensitivity of 200 mV over the common mode input voltage range of  $\pm 7V$ . The DS26C32A features internal pull-up and pull-down resistors which prevent output oscillation on unused channels. The DS26C32A provides an enable and disable function common to all four receivers, and features TRI-STATE<sup>®</sup> outputs with 6 mA source and sink capability. This product is pin compatible with the DS26LS32A and the AM26LS32.

### Features

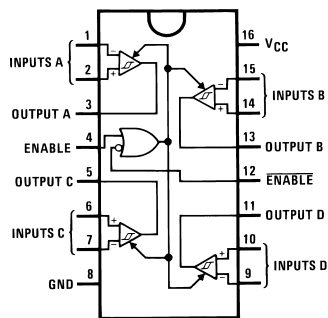
- CMOS design for low power
- $\pm 0.2V$  sensitivity over input common mode voltage range
- Typical propagation delays: 19 ns
- Typical input hysteresis: 60 mV
- Inputs won't load line when  $V_{CC} = 0V$
- Meets the requirements of EIA standard RS-422
- TRI-STATE outputs for connection to system buses
- Available in Surface Mount
- Mil-Std-883C compliant

### Logic Diagram



### Connection Diagrams

Dual-In-Line Package



00876402

Top View

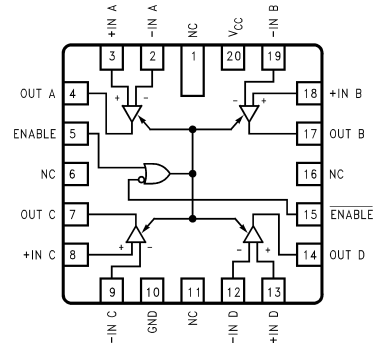
Order Number DS26C32ATM or DS26C32ATN  
See NS Package M16A or N16E

For Complete Military Product Specifications,  
refer to the appropriate SMD or MDS.

Order Number DS26C32AME/883, DS26C32AMJ/883 or  
DS26C32AMW/883

See NS Package E20A, J16A or W16A

20-Lead Ceramic Leadless Chip Carrier



00876412

TRI-STATE<sup>®</sup> is a registered trademark of National Semiconductor Corporation.

**Absolute Maximum Ratings** (Notes 2,

1)

If Military/Aerospace specified devices are required, please contact the National Semiconductor Sales Office/Distributors for availability and specifications.

Supply Voltage ( $V_{CC}$ )	7V
Common Mode Range ( $V_{CM}$ )	$\pm 14V$
Differential Input Voltage ( $V_{DIFF}$ )	$\pm 14V$
Enable Input Voltage ( $V_{IN}$ )	7V
Storage Temperature Range ( $T_{STG}$ )	$-65^{\circ}C$ to $+150^{\circ}C$
Lead Temperature (Soldering 4 sec.)	$260^{\circ}C$
Maximum Power Dissipation at $25^{\circ}C$ (Note 5)	
Ceramic "J" Pkg.	2308 mW
Plastic "N" Pkg.	1645 mW

SOIC "M" Pkg.	1190 mW
Ceramic "E" Pkg.	2108 mW
Ceramic "W" Pkg.	1215 mW
Maximum Current Per Output	$\pm 25$ mA

This device does not meet 2000V ESD rating. (Note 4)

**Operating Conditions**

	Min	Max	Units
Supply Voltage ( $V_{CC}$ )	4.50	5.50	V
Operating Temperature Range ( $T_A$ )			
DS26C32AT	-40	+85	$^{\circ}C$
DS26C32AM	-55	+125	$^{\circ}C$
Enable Input Rise or Fall Times	500		ns

**DC Electrical Characteristics**

$V_{CC} = 5V \pm 10\%$  (unless otherwise specified) (Note 1)

Symbol	Parameter	Conditions	Min	Typ	Max	Units	
$V_{TH}$	Minimum Differential Input Voltage	$V_{OUT} = V_{OH}$ or $V_{OL}$ $-7V < V_{CM} < +7V$	-200	35	+200	mV	
$R_{IN}$	Input Resistance	$V_{IN} = -7V, +7V$ (Other Input = GND)	DS26C32AT	5.0	6.8	10	$k\Omega$
			DS26C32AM	4.5	6.8	11	$k\Omega$
$I_{IN}$	Input Current	$V_{IN} = +10V$ , Other Input = GND	DS26C32AT		+1.1	+1.5	mA
			DS26C32AM		+1.1	+1.8	mA
		$V_{IN} = -10V$ , Other Input = GND	DS26C32AT		-2.0	-2.5	mA
			DS26C32AM		-2.0	-2.7	mA
$V_{OH}$	Minimum High Level Output Voltage	$V_{CC} = \text{Min}$ , $V_{DIFF} = +1V$ $I_{OUT} = -6.0$ mA	3.8	4.2		V	
$V_{OL}$	Maximum Low Level Output Voltage	$V_{CC} = \text{Max}$ , $V_{DIFF} = -1V$ $I_{OUT} = 6.0$ mA		0.2	0.3	V	
$V_{IH}$	Minimum Enable High Input Level Voltage		2.0			V	
$V_{IL}$	Maximum Enable Low Input Level Voltage				0.8	V	
$I_{OZ}$	Maximum TRI-STATE <sup>®</sup> Output Leakage Current	$V_{OUT} = V_{CC}$ or GND, ENABLE = $V_{IL}$ , $\overline{\text{ENABLE}} = V_{IH}$		$\pm 0.5$	$\pm 5.0$	$\mu A$	
$I_I$	Maximum Enable Input Current	$V_{IN} = V_{CC}$ or GND			$\pm 1.0$	$\mu A$	
$I_{CC}$	Quiescent Power Supply Current	$V_{CC} = \text{Max}$ , $V_{DIF} = +1V$	DS26C32AT		16	23	mA
			DS26C32AM		16	25	mA
$V_{HYST}$	Input Hysteresis	$V_{CM} = 0V$		60		mV	

**AC Electrical Characteristics**

$V_{CC} = 5V \pm 10\%$  (Note 3)

Symbol	Parameter	Conditions	Min	Typ	Max		Units
					DS26C32AT	DS26C32AM	
$t_{PLH}$ , $t_{PHL}$	Propagation Delay Input to Output	$C_L = 50$ pF $V_{DIFF} = 2.5V$ $V_{CM} = 0V$	10	19	30	35	ns

## AC Electrical Characteristics (Continued)

$V_{CC} = 5V \pm 10\%$  (Note 3)

Symbol	Parameter	Conditions	Min	Typ	Max		Units
					DS26C32AT	DS26C32AM	
$t_{RISE}$ , $t_{FALL}$	Output Rise and Fall Times	$C_L = 50 \text{ pF}$ $V_{DIFF} = 2.5V$ $V_{CM} = 0V$		4	9	9	ns
$t_{PLZ}$ , $t_{PHZ}$	Propagation Delay ENABLE to Output	$C_L = 50 \text{ pF}$ $R_L = 1000\Omega$ $V_{DIFF} = 2.5V$		13	22	29	ns
$t_{PZL}$ , $t_{PZH}$	Propagation Delay ENABLE to Output	$C_L = 50 \text{ pF}$ $R_L = 1000\Omega$ $V_{DIFF} = 2.5V$		13	23	29	ns

**Note 1:** Absolute Maximum Ratings are those values beyond which the safety of the device cannot be guaranteed. They are not meant to imply that the device should be operated at these limits. The table of "Electrical Characteristics" provides conditions for actual device operation.

**Note 2:** Unless otherwise specified, all voltages are referenced to ground.

**Note 3:** Unless otherwise specified, Min/Max limits apply over recommended operating conditions. All typicals are given for  $V_{CC} = 5V$  and  $T_A = 25^\circ C$ .

**Note 4:** ESD Rating: HBM (1.5 k $\Omega$ , 100 pF)

Inputs  $\geq 2000V$

All other pins  $\geq 1000V$

EIAJ (0 $\Omega$ , 200 pF)  $\geq 350V$

**Note 5:** Ratings apply to ambient temperature at  $25^\circ C$ . Above this temperature derate N Package 13.16 mW/ $^\circ C$ , J Package 15.38 mW/ $^\circ C$ , M Package 9.52 mW/ $^\circ C$ , E Package 12.04 mW/ $^\circ C$ , and W package 6.94 mW/ $^\circ C$ .

## Comparison Table of Switching Characteristics into "LS-Type" Load

(Figures 4, 5, 6) (Note 6)

Symbol	Parameter	Conditions	DS26C32A	DS26LS32A	Units
			Typ	Typ	
$t_{PLH}$	Input to Output	$C_L = 15 \text{ pF}$	17	23	ns
$t_{PHL}$			19	23	ns
$t_{LZ}$	ENABLE to Output	$C_L = 5 \text{ pF}$	13	15	ns
$t_{HZ}$			12	20	ns
$t_{ZL}$	ENABLE to Output	$C_L = 15 \text{ pF}$	13	14	ns
$t_{ZH}$			13	15	ns

**Note 6:** This table is provided for comparison purposes only. The values in this table for the DS26C32A reflect the performance of the device, but are not tested or guaranteed.

## Test and Switching Waveforms

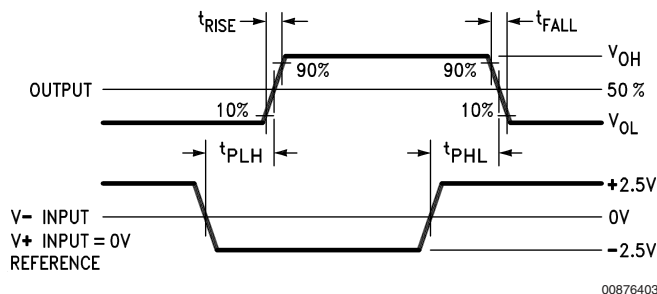


FIGURE 1. Propagation Delay