

1825008-3 ✓ ACTIVE

Alcoswitch | Alcoswitch DIP, Alcoswitch Rotary DIP DRD

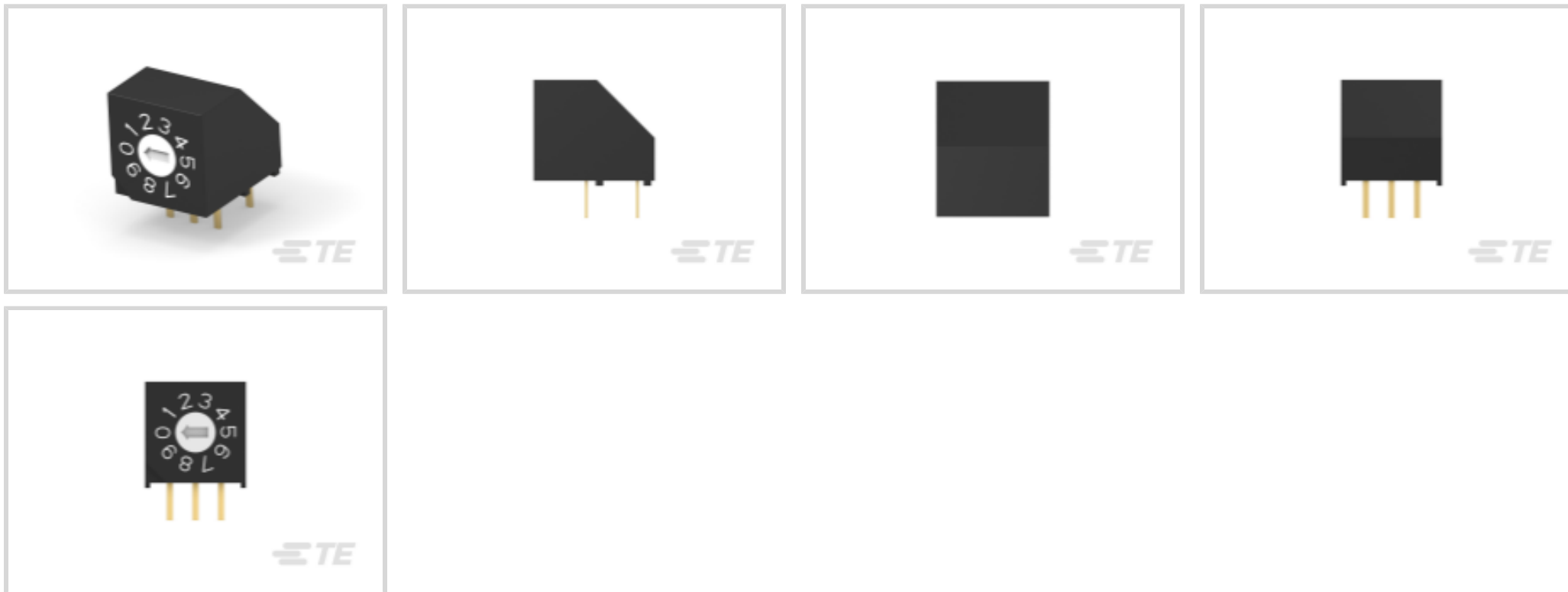
TE Internal #: 1825008-3

Rotary Switches, 16 Position, Flush Actuator Style, Rotary DIP, 16 Switch, Thermoplastic, .4A Contact Current Rating, Alcoswitch DIP

[View on TE.com >](#)



Switches > Rotary Switches



Number of Positions: **16**

Actuator Style: **Flush**

Rotary Switch Type: **Rotary DIP**

Number of Switches: **16**

Case Material: **Thermoplastic**

Features

Product Type Features

Actuator Style	Flush
Rotary Switch Type	Rotary DIP
Sealed Device	No
Code Type	Hexadecimal Complement

Configuration Features

Number of Positions	16
Number of Switches	16

Electrical Characteristics

Contact Current Rating	.4 A
Operating Voltage	20 VDC

Body Features

Case Material	Thermoplastic
Product Orientation	Right Angle

Contact Features



PCB Contact Termination Area Plating Material	Gold Flash
Switch Contact Plating Material	Gold Flash
Contact Base Material	Copper Alloy

Termination Features

Termination Method to Printed Circuit Board	Through Hole - Solder
---	-----------------------

Housing Features

Centerline (Pitch)	2.54 mm[.1 in]
--------------------	----------------

Industry Standards

UL Flammability Rating	UL 94V-0
------------------------	----------

Packaging Features

Packaging Method	Tube
------------------	------

Product Compliance

[For compliance documentation, visit the product page on TE.com>](#)

EU RoHS Directive 2011/65/EU	Compliant
EU ELV Directive 2000/53/EC	Compliant
China RoHS 2 Directive MIIT Order No 32, 2016	No Restricted Materials Above Threshold
EU REACH Regulation (EC) No. 1907/2006	Current ECHA Candidate List: JUNE 2024 (241) Candidate List Declared Against: JUL 2021 (219) Does not contain REACH SVHC
Halogen Content	Low Halogen - Br, Cl, F, I < 900 ppm per homogenous material. Also BFR/CFR/PVC Free
Solder Process Capability	Wave solder capable to 265°C

Product Compliance Disclaimer

This information is provided based on reasonable inquiry of our suppliers and represents our current actual knowledge based on the information they provided. This information is subject to change. The part numbers that TE has identified as EU RoHS compliant have a maximum concentration of 0.1% by weight in homogenous materials for lead, hexavalent chromium, mercury, PBB, PBDE, DBP, BBP, DEHP, DIBP, and 0.01% for cadmium, or qualify for an exemption to these limits as defined in the Annexes of Directive 2011/65/EU (RoHS2). Finished electrical and electronic equipment products will be CE marked as required by Directive 2011/65/EU. Components may not be CE marked. Additionally, the part numbers that TE has identified as EU ELV compliant have a maximum concentration of 0.1% by weight in homogenous materials for lead, hexavalent chromium, and mercury, and 0.01% for cadmium, or qualify for an exemption to these limits as defined in the Annexes of Directive 2000/53/EC (ELV). Regarding the REACH Regulation, the information TE provides on SVHC in articles for this part number is based on the latest European Chemicals Agency (ECHA) 'Guidance on requirements for substances in articles' posted at this URL: <https://echa.europa.eu/guidance-documents/guidance-on-reach>

Compatible Parts



TE Part # 1825008-4
DRD16RAE04=Rot Dip,R/A

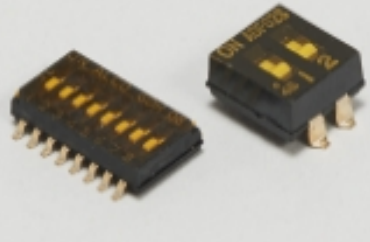


TE Part # 1825008-2
DRD10RAE04=Rot Dip,R/A




TE Part # 1825007-9
DRD10SAETR04=ROT DIP,10P,SMT

Also in the Series | Alcoswitch DIP




DIP & SIP Switches(185)



Rotary Switches(16)

Also in the Series | Alcoswitch Rotary DIP DRD




Rotary Switches(13)

Customers Also Bought



TE Part #787082-7
68 50SR R/A RCPT ASSY,REDESIGN



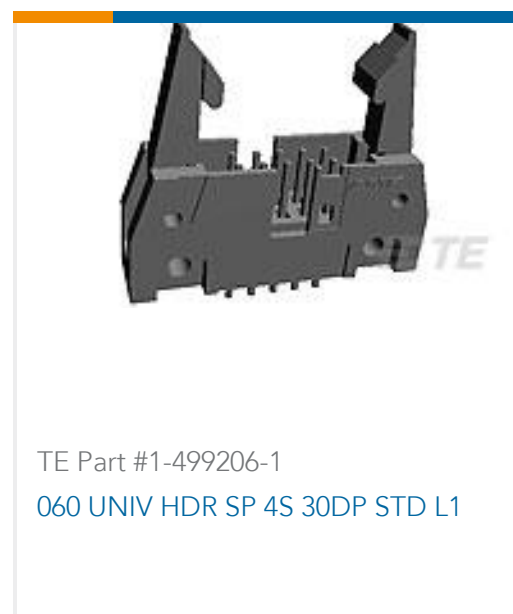
TE Part #910661-000
D-602-0279



TE Part #204504-1
RECEIPT ASSY,SZ 3,AMPLIMITE



TE Part #1825267-1
MSS430004=4P3T SL SW AG



Documents

Product Drawings

[DRD16CRAE04=Rot Dip,R/A,w/comp](#)

English

CAD Files

Customer View Model

[ENG_CVM_CVM_1825008-3_A1.3d_stp.zip](#)

English

Customer View Model

[ENG_CVM_CVM_1825008-3_A1.2d_dxf.zip](#)

English

Customer View Model

[ENG_CVM_CVM_1825008-3_A1.3d_igs.zip](#)

English

3D PDF

3D

By downloading the CAD file I accept and agree to the [Terms and Conditions](#) of use.