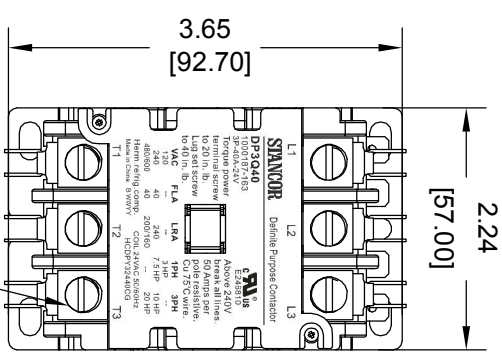


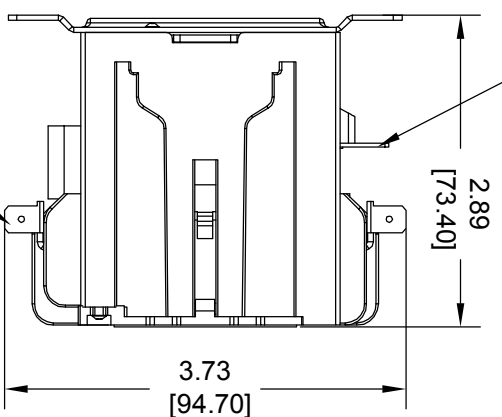
POLES	COIL VAC	FLA	RES	TERMINATION	COVER	INDIVIDUAL BOX
3	24VAC 50/60HZ	40	50	#14-2 COMPRESSION TERMINALS 2 Quick Connect Power Termination	YES	YES

COIL DATA
COIL 24VAC 50/60HZ 7 OHM 18 VAC OPERATE 3.8-16.3 VAC DROPOUT 82 VA INRUSH 14 VA SEAL MAX VOLTAGE 26.4 VAC

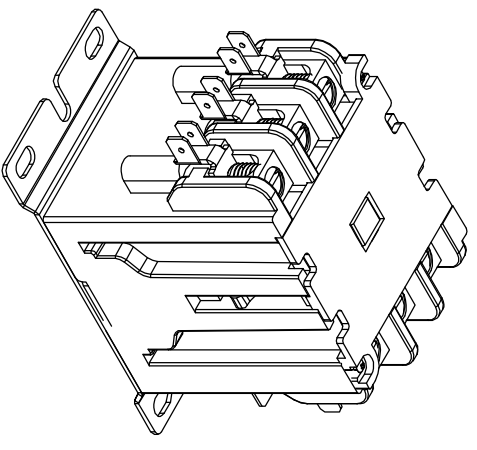
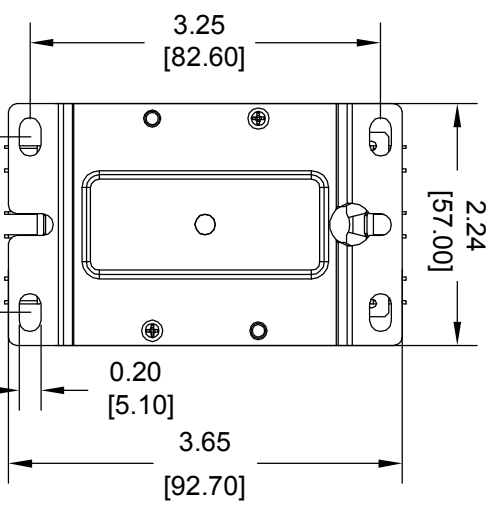
NOTES: UNLESS OTHERWISE SPECIFIED



RANGE #14-2 AWG
CUAL AWG BOX LUG (6 PCS)



2x 250x.032 MALE
QUICK CONNECT (6 PCS)



4XCOIL QUICK CONNECT
TERMINALS

STANCOR		Definite Purpose Contactor	
Enclosure:	OPEN	2.76	[70.00]
Power Poles:	3		
Amp Rating:	FLA 40 RES 50		
Coil Voltage:	24VAC 50/60HZ		
DP3Q40	HCDPY32440CG	2.05	[52.00]
1000187-163	BWVWY		
3P-40A-24V	Made in China		

Individual Box Label

DP3Q40		Master Carton Label	
1000187-163	2.17	[55.00]	
3P-40A-24V			
HCDPY32440CG			
QTY.: 25PCS	1.89	[48.00]	

Master Carton Label

STANCOR		Definite Purpose Contactor	
DP3Q40	E246810		
1000187-163	Above 240V		
3P-40A-24V	break all lines,		
	50 Amps per		
	pole resistive.		
	Cu 75°C wire.		
	Lug set screw		
	to 40 in. lb.		
	VAC		
	FLA		
	LRA		
	1PH		
	3PH		
	120		
	200/160		
	480/600		
	40		
	20/160		
	7.5HP		
	10 HP		
	20 HP		
	Herm. refriger comp.		
	COIL 24VAC 50/60HZ		
	HCDPY32440CG		
	Made in China BWVWY		
T1			
T2			
T3			

Product Label

TOLERANCE	
INCHES (mm)	
X	±0.06 [1.50]
X.X	±0.02 [150]
X.XX	±0.006 [150]
X.XXX	±0.002 [1050]
ANGLES	±1°

REV.	DESCRIPTION	EGN	DMN	APPD	DATE

DESC. 3P-40A-24V

DRAWN BY: DRAWN DATE: CHECKED BY: CHECKED DATE:

THIRD ANGLE PROJECTION

PART NO. DP3Q40

PAGE 1 OF 1

STANCOR 2425 South 21st Street
Phoenix, AZ 85034
www.stancor.com (602)275-3800