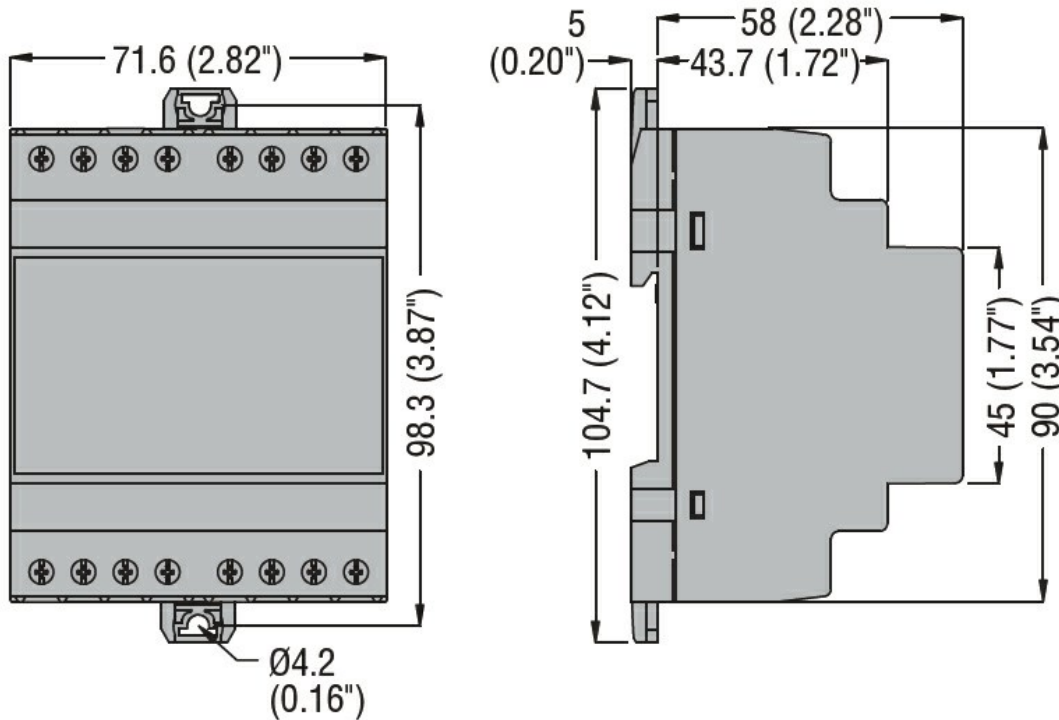




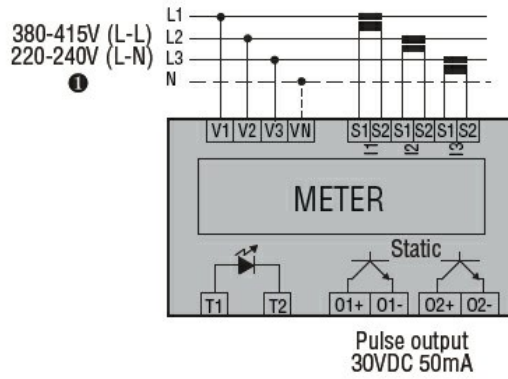
Product designation	Three-phase energy meters		
Product type designation	DMED310T2		
Type	Three-phase with and without neutral		
DIN rail module number	4		
Auxiliary supply Us			
Operational frequency	min	Hz	50
	max	Hz	60
Power consumption	Max	VA	3.5
Power dissipation Max		W	2.7
Measuring voltage inputs			
Rated voltage (Ue)	phase-phase	VAC	380...415
	phase-neutral	VAC	220...240
Operating voltage range	phase-phase	VAC	323...456
	phase-neutral	VAC	187...264
Connection method	Via CT		
Current			
IEC maximum (Imax)		A	5
IEC minimum (Imin)		A	0.05
IEC rated (Iref-Ib)		A	5
IEC start (Ist)		mA	0.005
Transition (Itr)		A	0.25
Accuracy			
Measurement conditions (T +23°C ±1°C / Rel. Humidity 45 ±15% R.H.)	active energy	Class 1 (IEC/EN/BS 62053-21)	
	reactive energy	Class 2 (IEC/EN 62053-23)	
Output characteristics			
LED Pulse rate		pulse/kWh	1000
LED Pulse duration		ms	30
Static output pulse rate		pulse/kWh	0.1-1-10-100 programmable
Static output pulse duration		ms	100
Static output external voltage		VDC	10...30
Static outputs Maximum current		mA	50
Insulations			
Rated insulation voltage Ui IEC/EN		V	250
Rated impulse withstand voltage Uimp		kV	6

Operating frequency withstand voltage	kV	4
Mechanical features		
Housing type		Polyamide
Terminals type		Fixed
Conductor cross section	min	mm ² 0.2 4 for supply voltage measurement; 2.5 for current measurement
	Max	mm ²
	min	AWG 24
	Max	AWG 12
Tightening torque (Max)	Nm	0.8
	lbin	7
Fixing		Din rail
Weight	g	332
Ambient conditions		
Temperature		
Operating temperature	min	°C -25
	max	°C +55
Storage temperature	min	°C -25
	max	°C +70
Relative humidity	%	<80
Maximum Pollution degree		2

Dimensions



Wiring diagrams



Certifications and compliance

Compliance

IEC/EN 50470-1
IEC/EN 61010-1
IEC/EN 61010-2-030

Certificates

EAC
RCM

ETIM classification

ETIM 8.0

EC001506 -
Kilowatt-hour
meter