



DEUTSCH

TE Internal #: ZPF000000000015250

Rectangular Contact Inserts, Insert for Contacts, Pin, 12 Pole Configuration, Crimp, Wire-to-Wire, 12 Position, Sealable, 24 – 20 AWG Wire Size

[View on TE.com >](#)

Connectors > Rectangular Connectors > Rectangular Contact Inserts



Rectangular Connector Insert Type: **Insert for Contacts**

Contact Type: **Pin**

Pole Configuration: **12**

Termination Method to Wire & Cable: **Crimp**

Connector System: **Wire-to-Wire**

Features

Product Type Features

Connector & Contact Terminates To	Wire & Cable
Rectangular Connector Insert Type	Insert for Contacts
Connector System	Wire-to-Wire
Sealable	Yes

Configuration Features

Number of Positions	12
---------------------	----

Body Features

Primary Product Material	Composite
--------------------------	-----------

Contact Features

Contact Type	Pin
Pole Configuration	12

Termination Features

Termination Method to Wire & Cable	Crimp
------------------------------------	-------

Mechanical Attachment

Connector Mounting Type	Cable Mount (Free-Hanging)
-------------------------	----------------------------

Housing Features

Centerline (Pitch)	3.38 mm[.13 in]
--------------------	-----------------

Dimensions

Wire Size	.25 – .5 mm ²
-----------	--------------------------

Usage Conditions

Operating Temperature Range	-55 – 175 °C[-67 – 347 °F]
-----------------------------	----------------------------

Operation/Application

Circuit Application	Power, Signal & High Speed Data
---------------------	---------------------------------

Packaging Features

Packaging Quantity	1
Packaging Method	Package

Product Compliance

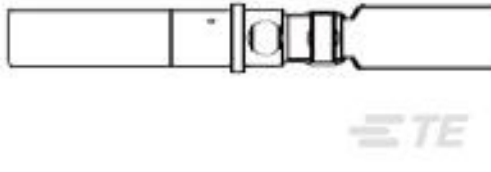
[For compliance documentation, visit the product page on TE.com>](#)

EU RoHS Directive 2011/65/EU	Compliant
EU ELV Directive 2000/53/EC	Compliant
China RoHS 2 Directive MIIT Order No 32, 2016	No Restricted Materials Above Threshold
EU REACH Regulation (EC) No. 1907/2006	Current ECHA Candidate List: JUNE 2024 (241) Candidate List Declared Against: JAN 2024 (240) Does not contain REACH SVHC
Halogen Content	Low Halogen - Br, Cl, F, I < 900 ppm per homogenous material. Also BFR/CFR/PVC Free
Solder Process Capability	Not reviewed for solder process capability

Product Compliance Disclaimer

This information is provided based on reasonable inquiry of our suppliers and represents our current actual knowledge based on the information they provided. This information is subject to change. The part numbers that TE has identified as EU RoHS compliant have a maximum concentration of 0.1% by weight in homogenous materials for lead, hexavalent chromium, mercury, PBB, PBDE, DBP, BBP, DEHP, DIBP, and 0.01% for cadmium, or qualify for an exemption to these limits as defined in the Annexes of Directive 2011/65/EU (RoHS2). Finished electrical and electronic equipment products will be CE marked as required by Directive 2011/65/EU. Components may not be CE marked. Additionally, the part numbers that TE has identified as EU ELV compliant have a maximum concentration of 0.1% by weight in homogenous materials for lead, hexavalent chromium, and mercury, and 0.01% for cadmium, or qualify for an exemption to these limits as defined in the Annexes of Directive 2000/53/EC (ELV). Regarding the REACH Regulations, TE's information on SVHC in articles for this part number is still based on the European Chemical Agency (ECHA) 'Guidance on requirements for substances in articles' (Version: 2, April 2011), applying the 0.1% weight on weight concentration threshold at the finished product level. TE is aware of the European Court of Justice ruling of September 10th, 2015 also known as O5A (Once An Article Always An Article) stating that, in case of 'complex object', the threshold for a SVHC must be applied to both the product as a whole and simultaneously to each of the articles forming part of its composition. TE has evaluated this ruling based on the new ECHA "Guidance on requirements for substances in articles" (June 2017, version 4.0) and will be updating its statements accordingly.

Customers Also Bought



TE Part #304103-000
DK-602-0157-N-6



TE Part #E67312-000
DK-602-0187-6



TE Part #ZPF000000000017931
FDA 50-10-6 SN-K 090 A838



TE Part #ZPF000000000018167
FDA 50-14-19 SN-K 090 A838

TE Part #ZPF000000000015475
DMC-MD 82 A 01



TE Part #EN3660-063W25CC
EN3660-063W25CC



TE Part #YDTS26W19-35PAV002
PLUG ASSY

TE Part #807504-000
201M108-19G



TE Part #ZPF000000000008661
983-6S 20-25 P6 L

TE Part #196364-000
D-602-0140CS2831

Documents

Product Drawings

[DMC-M 12-20 AB](#)

English

Datasheets & Catalog Pages

[DMC-M Series Single Module EN4165](#)

English