

# DLW5BTZ101TQ2#

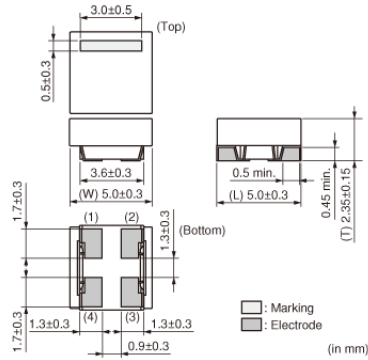
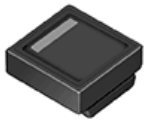
"#" indicates a package specification code.



< List of part numbers with package codes >

DLW5BTZ101TQ2K DLW5BTZ101TQ2L DLW5BTZ101TQ2B

## Appearance & Shape



## Features

### Features

1. Low profile (h=2.5mm)
2. Small size (5.0x5.0mm) and high rated current (1.5 to 4A)
3. High common mode Impedance (max. 1400 ohm, at 100MHz)
- 4 .Operating Temperature Range -40°C to +105°C

## Applications

Automotive Usage	Infotainment
------------------	--------------

## Packaging Information

Packaging	Specifications	Minimum Order Quantity
K	330mm Embossed Tape	2500
L	180mm Embossed Tape	700
B	Bulk(Bag)	100

### Attention

- 1.This datasheet is downloaded from the website of Murata Manufacturing Co., Ltd. Therefore, it's specifications are subject to change or our products in it may be discontinued without advance notice. Please check with our sales representatives or product engineers before ordering.
- 2.This datasheet has only typical specifications because there is no space for detailed specifications.  
Therefore, please review our product specifications or consult the approval sheet for product specifications before ordering.

# DLW5BTZ101TQ2#

“#” indicates a package specification code.



## Specifications

Shape	SMD	DC Resistance(max.)	0.013Ω
Size Code (in mm)	5050	DC Resistance	0.013Ω max.
Size Code (in inch)	2020	Insulation Resistance(min.)	10MΩ
Length	5.0mm	Operating Temperature Range	-40°C to 105°C
Length Tolerance	±0.3mm	Mass(typ.)	0.21g
Width	5.0mm	Number of Circuit	1
Width Tolerance	±0.3mm	Operating Temperature Range(Self-temperature rise is included)	No
Thickness	2.35mm		
Thickness Tolerance	±0.15mm		
Common Mode Impedance (at 100MHz)	100Ω		
Common Mode Impedance (at 100MHz) Tolerance	(Typ.)		
Common Mode Impedance (at 10MHz)	10Ω		
Common Mode Impedance (at 10MHz) Tolerance	min.		
Rated Current	4A		
Derating of Rated Current	No		
Rated Voltage	50Vdc		
Withstanding Voltage	125Vdc		

### Attention

1.This datasheet is downloaded from the website of Murata Manufacturing Co., Ltd. Therefore, it's specifications are subject to change or our products in it may be discontinued without advance notice. Please check with our sales representatives or product engineers before ordering.

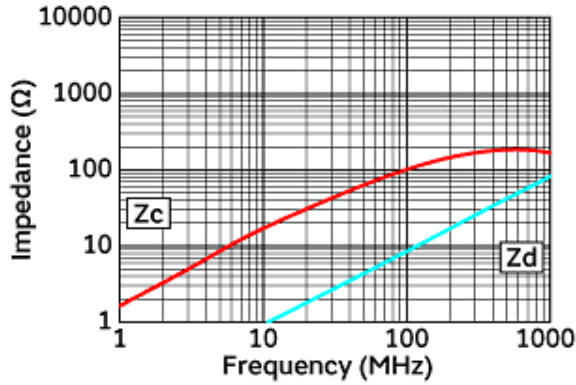
2.This datasheet has only typical specifications because there is no space for detailed specifications.

Therefore, please review our product specifications or consult the approval sheet for product specifications before ordering.

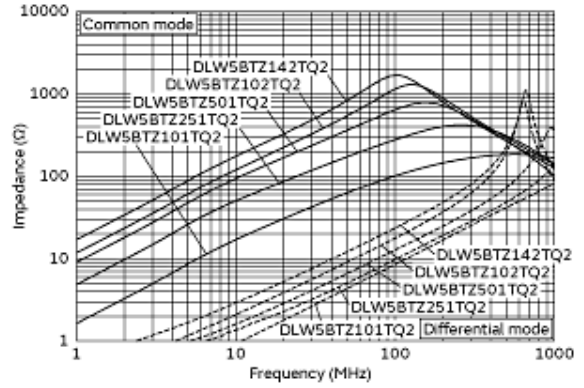
# DLW5BTZ101TQ2#

"#" indicates a package specification code.

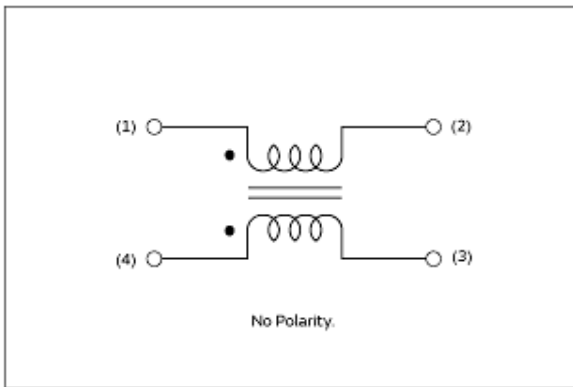
## Product Data



Impedance-Frequency Characteristics



Impedance-Frequency Characteristics (Main Items)



Equivalent Circuit

**Attention**

- 1.This datasheet is downloaded from the website of Murata Manufacturing Co., Ltd. Therefore, it's specifications are subject to change or our products in it may be discontinued without advance notice. Please check with our sales representatives or product engineers before ordering.
- 2.This datasheet has only typical specifications because there is no space for detailed specifications. Therefore, please review our product specifications or consult the approval sheet for product specifications before ordering.