

# DLW5BTM251TQ2#

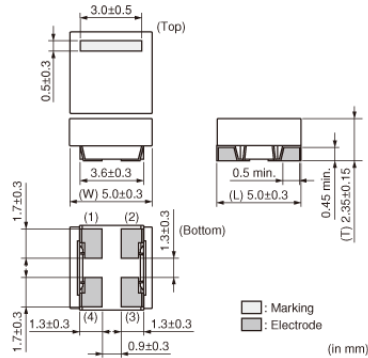
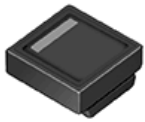
“#” indicates a package specification code.



< List of part numbers with package codes >

DLW5BTM251TQ2K DLW5BTM251TQ2L DLW5BTM251TQ2B

## Appearance & Shape



## Features

### Features

1. Low profile (h=2.5mm)
2. Small size (5.0x5.0mm) and high rated current (2 to 6A)
3. High common mode Impedance (max. 1400 ohm, at 100MHz)
- 4 .Operating Temperature Range -40°C to +105°C

### Applications

Noise suppression for power line

1. Power line equipment
  - DC-DC converters
  - Battery chargers
2. Portable equipment
  - PDAs (Personal Digital Assistants)
  - Note PCs
  - Printers

## Applications

Other Usage	For general
-------------	-------------

## Packaging Information

Packaging	Specifications	Minimum Order Quantity
K	330mm Embossed Tape	2500
L	180mm Embossed Tape	700
B	Bulk(Bag)	100

### Attention

- 1.This datasheet is downloaded from the website of Murata Manufacturing Co., Ltd. Therefore, it's specifications are subject to change or our products in it may be discontinued without advance notice. Please check with our sales representatives or product engineers before ordering.
- 2.This datasheet has only typical specifications because there is no space for detailed specifications. Therefore, please review our product specifications or consult the approval sheet for product specifications before ordering.

# DLW5BTM251TQ2#

“#” indicates a package specification code.



## Specifications

Shape	SMD	Withstanding Voltage	125Vdc
Size Code (in mm)	5050	DC Resistance(max.)	0.02Ω
Size Code (in inch)	2020	DC Resistance	0.020Ω max.
Length	5.0mm	Insulation Resistance(min.)	10MΩ
Length Tolerance	±0.3mm	Operating Temperature Range	-40°C to 105°C
Width	5.0mm	Mass(typ.)	0.21g
Width Tolerance	±0.3mm	Number of Circuit	1
Thickness	2.35mm	Operating Temperature Range(Self-temperature rise is included)	No
Thickness Tolerance	±0.15mm		
Common Mode Impedance (at 100MHz)	250Ω		
Common Mode Impedance (at 100MHz) Tolerance	(Typ.)		
Common Mode Impedance (at 10MHz)	20Ω		
Common Mode Impedance (at 10MHz) Tolerance	min.		
Rated Current	5A		
Derating of Rated Current	Yes(Over 85°C) *For details, please check the derating diagram.		
Rated Voltage	50Vdc		

### Attention

1.This datasheet is downloaded from the website of Murata Manufacturing Co., Ltd. Therefore, it's specifications are subject to change or our products in it may be discontinued without advance notice. Please check with our sales representatives or product engineers before ordering.

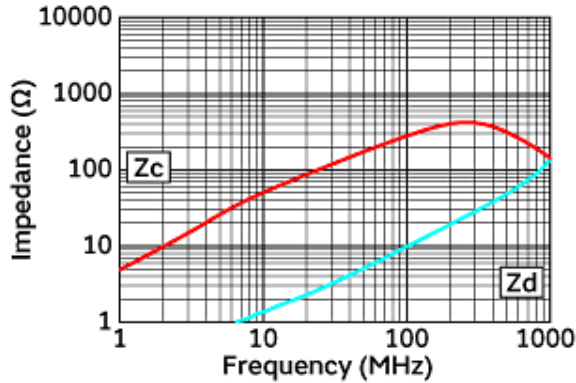
2.This datasheet has only typical specifications because there is no space for detailed specifications.

Therefore, please review our product specifications or consult the approval sheet for product specifications before ordering.

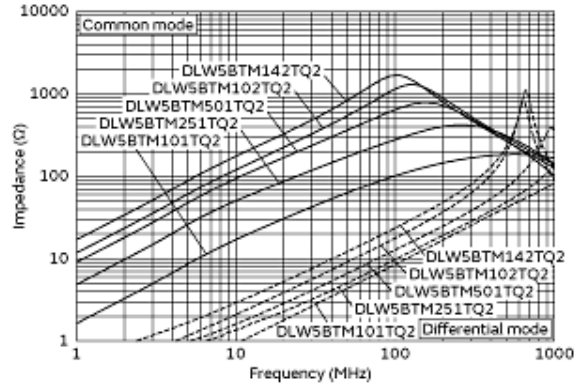
# DLW5BTM251TQ2#

“#” indicates a package specification code.

## Product Data



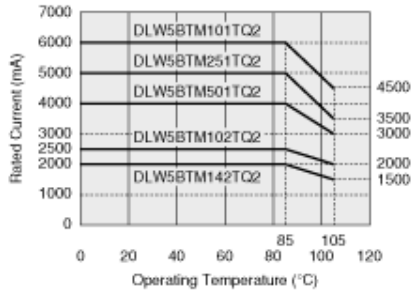
Impedance-Frequency Characteristics



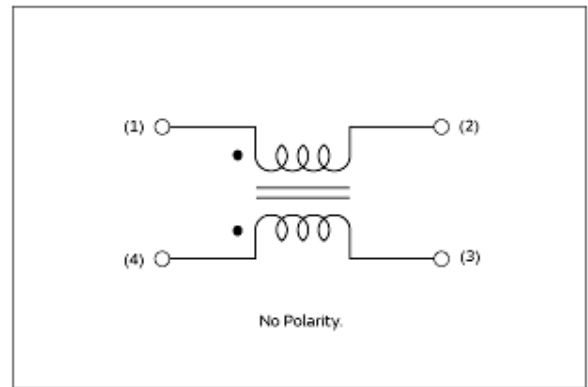
Impedance-Frequency Characteristics (Main Items)

In operating temperature exceeding +85°C, derating of current is necessary for DLW5BT series (105 degree C available type). Please apply the derating curve shown in chart according to the operating temperature.

### Derating of Rated Current



Derating of Rated Current



Equivalent Circuit

### Attention

- 1.This datasheet is downloaded from the website of Murata Manufacturing Co., Ltd. Therefore, it's specifications are subject to change or our products in it may be discontinued without advance notice. Please check with our sales representatives or product engineers before ordering.
  - 2.This datasheet has only typical specifications because there is no space for detailed specifications.
- Therefore, please review our product specifications or consult the approval sheet for product specifications before ordering.