

# DLW5ATN501SQ2#

“#” indicates a package specification code.

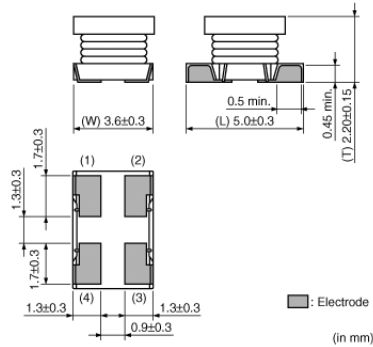


< List of part numbers with package codes >

DLW5ATN501SQ2K DLW5ATN501SQ2L DLW5ATN501SQ2B

## Appearance & Shape

## Features



### Features

1. Low profile(h=2.35mm max.)
2. Small size(5.0x3.6mm)
3. High rated current available(1A to 5A)
4. High common mode Impedance (max 2700ohm, at 100MHz)

### Application

Noise suppression for power line

1. Power line equipment
  - DC/DC converter
  - battery charger
2. Portable equipment
  - PDA(Personal Digital Assistance)
  - note PC
  - printer
  - DVC

## Applications

Other Usage	For general
-------------	-------------

## Packaging Information

Packaging	Specifications	Minimum Order Quantity
K	330mm Embossed Tape	2500
L	180mm Embossed Tape	700
B	Bulk(Bag)	100

### Attention

1. This datasheet is downloaded from the website of Murata Manufacturing Co., Ltd. Therefore, its specifications are subject to change or our products in it may be discontinued without advance notice. Please check with our sales representatives or product engineers before ordering.
2. This datasheet has only typical specifications because there is no space for detailed specifications. Therefore, please review our product specifications or consult the approval sheet for product specifications before ordering.

# DLW5ATN501SQ2#

“#” indicates a package specification code.



## Specifications

Shape	SMD	DC Resistance(max.)	0.056Ω
Size Code (in mm)	5036	DC Resistance	0.056Ω max.
Size Code (in inch)	2014	Insulation Resistance(min.)	10MΩ
Length	5.0mm	Operating Temperature Range	-40°C to 85°C
Length Tolerance	±0.3mm	Mass(typ.)	0.125g
Width	3.6mm	Number of Circuit	1
Width Tolerance	±0.3mm	Operating Temperature Range(Self-temperature rise is included)	No
Thickness	2.2mm		
Thickness Tolerance	±0.15mm		
Common Mode Impedance (at 100MHz)	500Ω		
Common Mode Impedance (at 100MHz) Tolerance	(Typ.)		
Common Mode Impedance (at 10MHz)	55Ω		
Common Mode Impedance (at 10MHz) Tolerance	±25%		
Rated Current	1.5A		
Derating of Rated Current	No		
Rated Voltage	50Vdc		
Withstanding Voltage	125Vdc		

### Attention

1.This datasheet is downloaded from the website of Murata Manufacturing Co., Ltd. Therefore, it's specifications are subject to change or our products in it may be discontinued without advance notice. Please check with our sales representatives or product engineers before ordering.

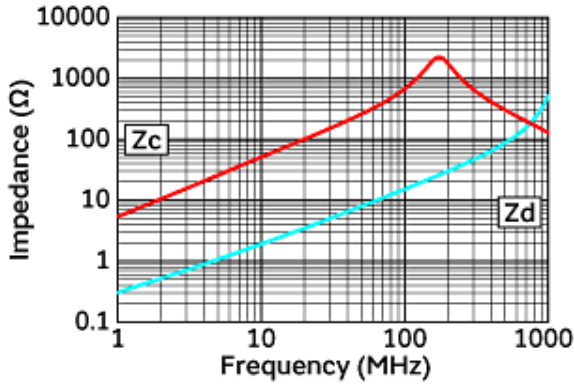
2.This datasheet has only typical specifications because there is no space for detailed specifications.

Therefore, please review our product specifications or consult the approval sheet for product specifications before ordering.

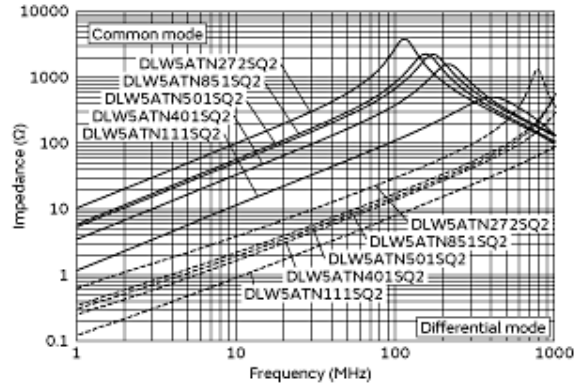
# DLW5ATN501SQ2#

"#" indicates a package specification code.

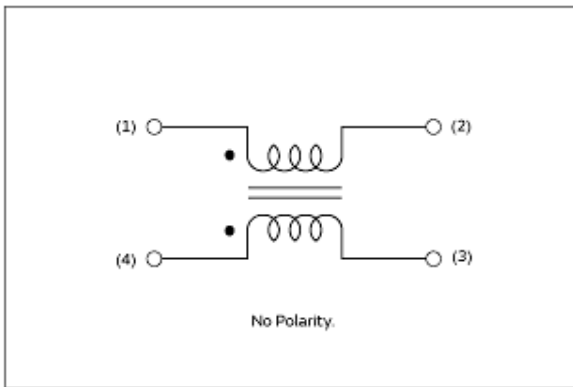
## Product Data



Impedance-Frequency Characteristics



Impedance-Frequency Characteristics (Main Items)



Equivalent Circuit

**Attention**

- 1.This datasheet is downloaded from the website of Murata Manufacturing Co., Ltd. Therefore, it's specifications are subject to change or our products in it may be discontinued without advance notice. Please check with our sales representatives or product engineers before ordering.
- 2.This datasheet has only typical specifications because there is no space for detailed specifications. Therefore, please review our product specifications or consult the approval sheet for product specifications before ordering.