

# DLW5ATN112MQ2#

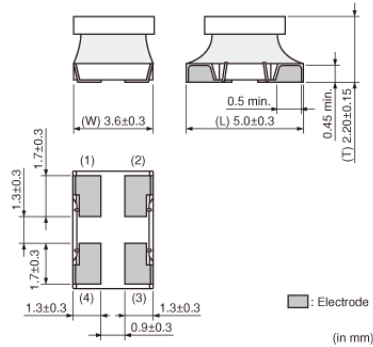
“#” indicates a package specification code.



< List of part numbers with package codes >

DLW5ATN112MQ2K DLW5ATN112MQ2L DLW5ATN112MQ2B

## Appearance & Shape



## Features

1. Low profile(h=2.35mm max.)
2. Small size(5.0x3.6mm)
- 3 .Large Current Available (2A to 6A)
- 4 .Operating Temperature Range -40°C to +105°C
- 5 .Reflow and Flow soldering Available

### Application

Noise suppression for power line

1. Power line equipment
  - DC/DC converter
  - battery charger
2. Portable equipment
  - PDA(Personal Digital Assistance)
  - note PC
  - printer
  - DVC

## Applications

Other Usage	For general
-------------	-------------

## Packaging Information

Packaging	Specifications	Minimum Order Quantity
K	330mm Embossed Tape	2500
L	180mm Embossed Tape	700
B	Bulk(Bag)	100

### Attention

- 1.This datasheet is downloaded from the website of Murata Manufacturing Co., Ltd. Therefore, it's specifications are subject to change or our products in it may be discontinued without advance notice. Please check with our sales representatives or product engineers before ordering.
- 2.This datasheet has only typical specifications because there is no space for detailed specifications. Therefore, please review our product specifications or consult the approval sheet for product specifications before ordering.

# DLW5ATN112MQ2#

“#” indicates a package specification code.



## Specifications

Shape	SMD	Withstanding Voltage	125Vdc
Size Code (in mm)	5036	DC Resistance(max.)	0.056Ω
Size Code (in inch)	2014	DC Resistance	0.056Ω max.
Length	5.0mm	Insulation Resistance(min.)	10MΩ
Length Tolerance	±0.3mm	Operating Temperature Range	-40°C to 105°C
Width	3.6mm	Mass(typ.)	0.14g
Width Tolerance	±0.3mm	Number of Circuit	1
Thickness	2.2mm	Operating Temperature Range(Self-temperature rise is included)	No
Thickness Tolerance	±0.15mm		
Common Mode Impedance (at 100MHz)	1100Ω		
Common Mode Impedance (at 100MHz) Tolerance	(Typ.)		
Common Mode Impedance (at 10MHz)	50Ω		
Common Mode Impedance (at 10MHz) Tolerance	min.		
Rated Current	2A		
Derating of Rated Current	Yes(Over 85°C) *For details, please check the derating diagram.		
Rated Voltage	50Vdc		

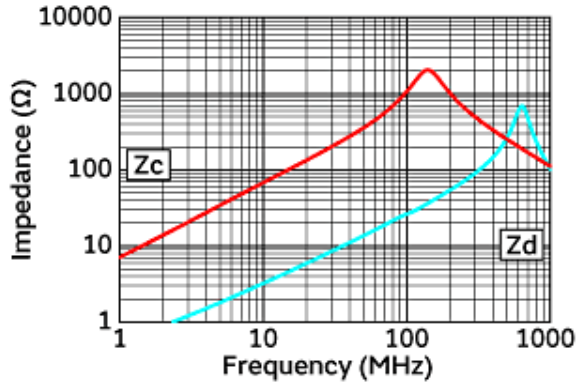
### Attention

- 1.This datasheet is downloaded from the website of Murata Manufacturing Co., Ltd. Therefore, it's specifications are subject to change or our products in it may be discontinued without advance notice. Please check with our sales representatives or product engineers before ordering.
- 2.This datasheet has only typical specifications because there is no space for detailed specifications.  
Therefore, please review our product specifications or consult the approval sheet for product specifications before ordering.

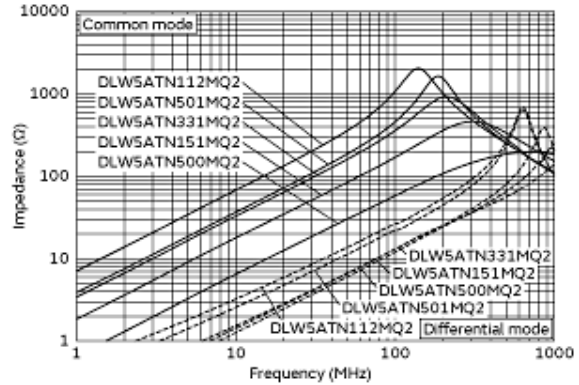
# DLW5ATN112MQ2#

“#” indicates a package specification code.

## Product Data



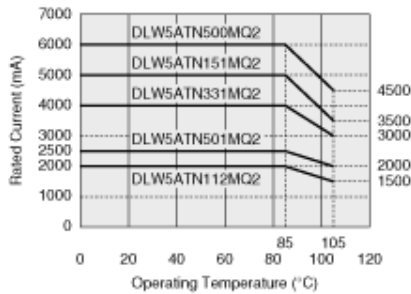
Impedance-Frequency Characteristics



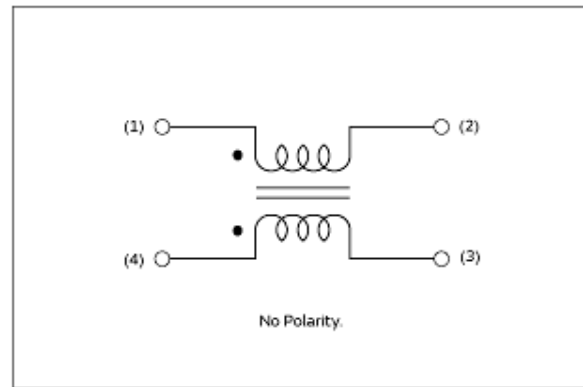
Impedance-Frequency Characteristics (Main Items)

In operating temperature exceeding +85°C, derating of current is necessary for DLW5AT series (105 degree C available type). Please apply the derating curve shown in chart according to the operating temperature.

### Derating of Rated Current



Derating of Rated Current



Equivalent Circuit

### Attention

1. This datasheet is downloaded from the website of Murata Manufacturing Co., Ltd. Therefore, its specifications are subject to change or our products in it may be discontinued without advance notice. Please check with our sales representatives or product engineers before ordering.
  2. This datasheet has only typical specifications because there is no space for detailed specifications.
- Therefore, please review our product specifications or consult the approval sheet for product specifications before ordering.