

DLW5ATH111TQ2#

“#” indicates a package specification code.

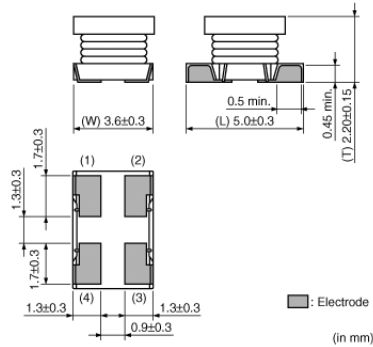


< List of part numbers with package codes >

DLW5ATH111TQ2K DLW5ATH111TQ2L DLW5ATH111TQ2B

Appearance & Shape

Features



Low profile (h=2.35mm) chip common mode choke coil.
Suitable for noise suppression at DC power lines.

Features

1. Low profile (h=2.35mm)
2. Small size (5.0x3.6mm)
3. Large Current Available (1.5A to 4A)
4. Operating Temperature Range -40°C to +125°C

Applications

Automotive Usage	Powertrain/Safety
------------------	-------------------

Packaging Information

Packaging	Specifications	Minimum Order Quantity
K	330mm Embossed Tape	2500
L	180mm Embossed Tape	700
B	Bulk(Bag)	100

Attention

1. This datasheet is downloaded from the website of Murata Manufacturing Co., Ltd. Therefore, its specifications are subject to change or our products in it may be discontinued without advance notice. Please check with our sales representatives or product engineers before ordering.
2. This datasheet has only typical specifications because there is no space for detailed specifications.
Therefore, please review our product specifications or consult the approval sheet for product specifications before ordering.

DLW5ATH111TQ2#

“#” indicates a package specification code.



Specifications

Shape	SMD	Withstanding Voltage	125Vdc
Size Code (in mm)	5036	DC Resistance(max.)	0.02Ω
Size Code (in inch)	2014	DC Resistance	0.020Ω max.
Length	5.0mm	Insulation Resistance(min.)	10MΩ
Length Tolerance	±0.3mm	Operating Temperature Range	-40°C to 125°C
Width	3.6mm	Mass(typ.)	0.14g
Width Tolerance	±0.3mm	Number of Circuit	1
Thickness	2.2mm	Operating Temperature Range(Self-temperature rise is included)	No
Thickness Tolerance	±0.15mm		
Common Mode Impedance (at 100MHz)	110Ω		
Common Mode Impedance (at 100MHz) Tolerance	(Typ.)		
Common Mode Impedance (at 10MHz)	12Ω		
Common Mode Impedance (at 10MHz) Tolerance	±25%		
Rated Current	3A		
Derating of Rated Current	Yes(Over 105°C) *For details, please check the derating diagram.		
Rated Voltage	50Vdc		

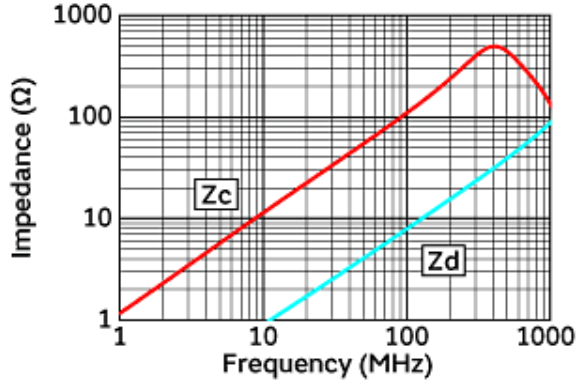
Attention

- 1.This datasheet is downloaded from the website of Murata Manufacturing Co., Ltd. Therefore, it's specifications are subject to change or our products in it may be discontinued without advance notice. Please check with our sales representatives or product engineers before ordering.
- 2.This datasheet has only typical specifications because there is no space for detailed specifications.
Therefore, please review our product specifications or consult the approval sheet for product specifications before ordering.

DLW5ATH111TQ2#

“#” indicates a package specification code.

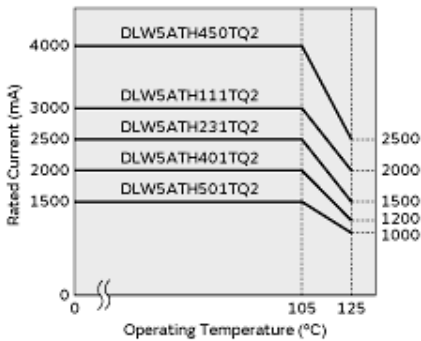
Product Data



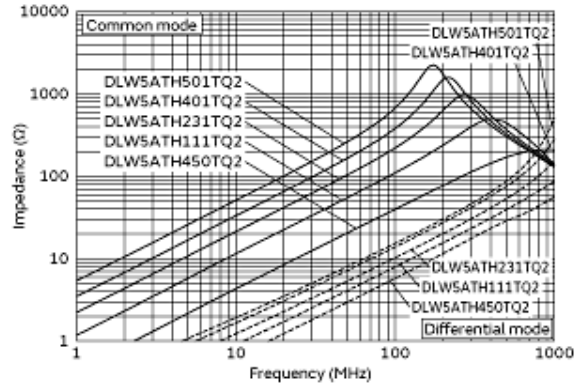
Impedance-Frequency Characteristics

In operating temperature exceeding +105°C, derating of current is necessary for DLW5ATH_TQ2 series. Please apply the derating curve shown in chart according to the operating temperature.

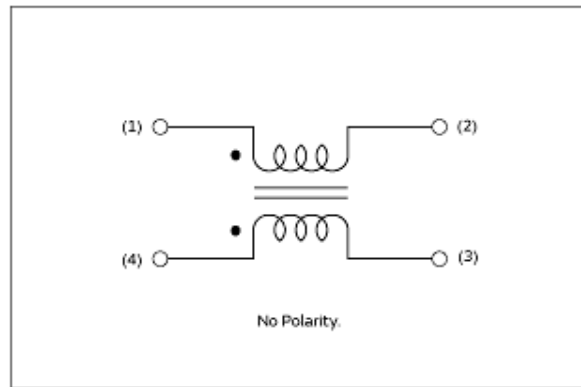
Derating of Rated Current



Derating of Rated Current



Impedance-Frequency Characteristics (Main Items)



Equivalent Circuit

Attention

1. This datasheet is downloaded from the website of Murata Manufacturing Co., Ltd. Therefore, its specifications are subject to change or our products in it may be discontinued without advance notice. Please check with our sales representatives or product engineers before ordering.
2. This datasheet has only typical specifications because there is no space for detailed specifications. Therefore, please review our product specifications or consult the approval sheet for product specifications before ordering.