

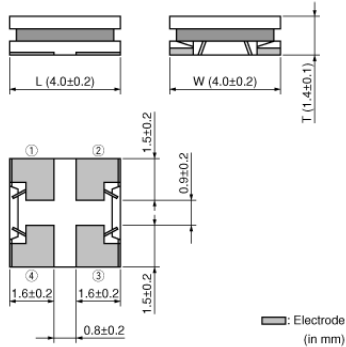
# DLW44SM401SK2#

“#” indicates a package specification code.



< List of part numbers with package codes >  
DLW44SM401SK2L DLW44SM401SK2B DLW44SM401SK2K

## Appearance & Shape



## Features

- Features
1. Low profile ( $h=1.5\text{mm max.}$ )
  2. Small size ( $4.0 \times 4.0\text{mm}$ )
  3. High rated current available ( $1.1\text{A to } 3.1\text{A}$ )
  4. High common mode Impedance ( $\text{max } 2400\text{ohm, at } 100\text{MHz}$ )

- Application
- Noise suppression for power line
1. Power line equipment
    - DC/DC converter
    - battery charger
  2. Portable equipment
    - PDA(Personal Digital Assistance)
    - note PC
    - printer
    - DVC

## Applications

Other Usage	For general
-------------	-------------

## Packaging Information

Packaging	Specifications	Minimum Order Quantity
L	180mm Embossed Tape	1000
B	Bulk(Bag)	100
K	330mm Embossed Tape	3500

**Attention**  
1.This datasheet is downloaded from the website of Murata Manufacturing Co., Ltd. Therefore, it's specifications are subject to change or our products in it may be discontinued without advance notice. Please check with our sales representatives or product engineers before ordering.  
2.This datasheet has only typical specifications because there is no space for detailed specifications.  
Therefore, please review our product specifications or consult the approval sheet for product specifications before ordering.

# DLW44SM401SK2#

“#” indicates a package specification code.



## Specifications

Shape	SMD	Withstanding Voltage	150Vdc
Size Code (in mm)	4040	DC Resistance(max.)	0.042Ω
Size Code (in inch)	1515	DC Resistance	0.030Ω±40%
Length	4.0mm	Insulation Resistance(min.)	10MΩ
Length Tolerance	±0.2mm	Operating Temperature Range	-40°C to 105°C
Width	4.0mm	Mass(typ.)	0.086g
Width Tolerance	±0.2mm	Number of Circuit	1
Thickness	1.4mm	Operating Temperature Range(Self-temperature rise is included)	No
Thickness Tolerance	±0.1mm		
Common Mode Impedance (at 100MHz)	400Ω		
Common Mode Impedance (at 100MHz) Tolerance	(Typ.)		
Common Mode Impedance (at 10MHz)	37.5Ω		
Common Mode Impedance (at 10MHz) Tolerance	±40%		
Rated Current	2.1A		
Derating of Rated Current	Yes(Over 85°C) *For details, please check the derating diagram.		
Rated Voltage	60Vdc		

### Attention

1.This datasheet is downloaded from the website of Murata Manufacturing Co., Ltd. Therefore, it's specifications are subject to change or our products in it may be discontinued without advance notice. Please check with our sales representatives or product engineers before ordering.

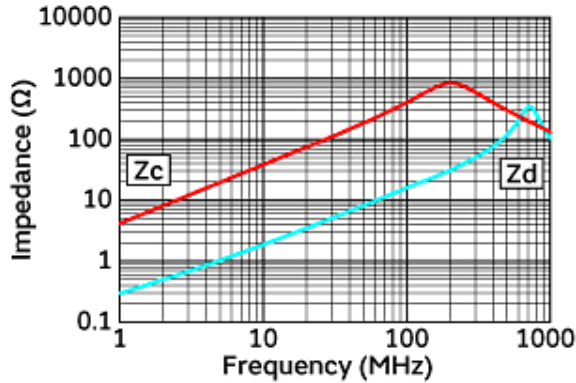
2.This datasheet has only typical specifications because there is no space for detailed specifications.

Therefore, please review our product specifications or consult the approval sheet for product specifications before ordering.

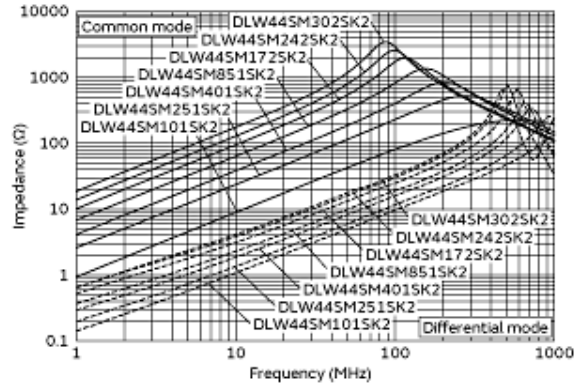
# DLW44SM401SK2#

“#” indicates a package specification code.

## Product Data



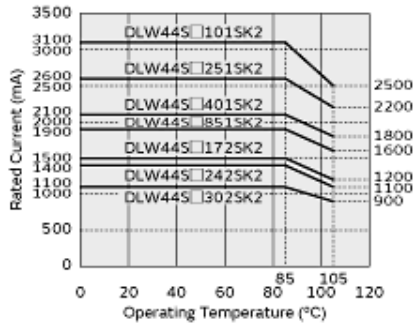
Impedance-Frequency Characteristics



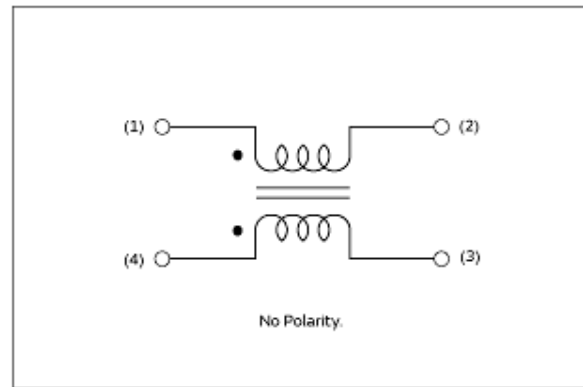
Impedance-Frequency Characteristics (Main Items)

In operating temperature exceeding +85°C, derating of current is necessary for DLW44S series. Please apply the derating curve shown in chart according to the operating temperature.

### Derating of Rated Current



Derating of Rated Current



Equivalent Circuit

### Attention

- 1.This datasheet is downloaded from the website of Murata Manufacturing Co., Ltd. Therefore, it's specifications are subject to change or our products in it may be discontinued without advance notice. Please check with our sales representatives or product engineers before ordering.
- 2.This datasheet has only typical specifications because there is no space for detailed specifications. Therefore, please review our product specifications or consult the approval sheet for product specifications before ordering.