

# DLW43SH101XK2#

"#" indicates a package specification code.

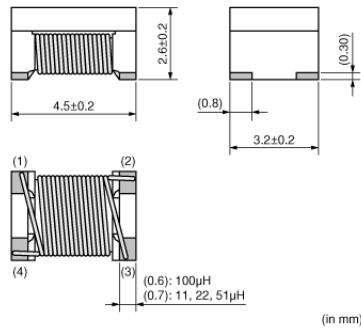
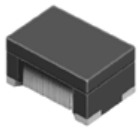
For CAN



< List of part numbers with package codes >

DLW43SH101XK2K DLW43SH101XK2L DLW43SH101XK2B

## Appearance & Shape



## Features

1. Small size: L4.5xW3.2xT2.6mm (EIAcode: 1812)  
Tolerance: 0.2mm
2. Common mode inductance items of 11,22,51,100microH, and they can be used for each applications.

### Applications

For Automotive.

Common mode noise suppression of automotive LAN for Flex Ray, CAN.

## Applications

|                  |                   |
|------------------|-------------------|
| Automotive Usage | Powertrain/Safety |
|------------------|-------------------|

## Packaging Information

| Packaging | Specifications      | Minimum Order Quantity |
|-----------|---------------------|------------------------|
| K         | 330mm Embossed Tape | 2500                   |
| L         | 180mm Embossed Tape | 500                    |
| B         | Bulk(Bag)           | 100                    |

### Attention

1.This datasheet is downloaded from the website of Murata Manufacturing Co., Ltd. Therefore, it's specifications are subject to change or our products in it may be discontinued without advance notice. Please check with our sales representatives or product engineers before ordering.

2.This datasheet has only typical specifications because there is no space for detailed specifications.

Therefore, please review our product specifications or consult the approval sheet for product specifications before ordering.

# DLW43SH101XK2#

“#” indicates a package specification code.



## Specifications

|                             |                |  |                          |
|-----------------------------|----------------|--|--------------------------|
| Shape                       | SMD            | Mass(typ.)   | 0.17g                    |
| Size Code (in mm)           | 4532           | Number of Circuit  | 1                        |
| Size Code (in inch)         | 1812           | Common Mode Inductance   | 100μH-30%/+50% (at 1MHz) |
| Length                      | 4.5mm          | Operating Temperature Range(Self-temperature rise is included) | No                       |
| Length Tolerance            | ±0.2mm         |  |                          |
| Width                       | 3.2mm          |  |                          |
| Width Tolerance             | ±0.2mm         |  |                          |
| Thickness                   | 2.6mm          |  |                          |
| Thickness Tolerance         | ±0.2mm         |  |                          |
| Rated Current               | 200mA          |  |                          |
| Derating of Rated Current   | No             |  |                          |
| Rated Voltage               | 50Vdc          |  |                          |
| Withstanding Voltage        | 125Vdc         |  |                          |
| DC Resistance(max.)         | 2Ω             |  |                          |
| DC Resistance               | 2.0Ω max.      |  |                          |
| Insulation Resistance(min.) | 10MΩ           |  |                          |
| Operating Temperature Range | -40°C to 125°C |  |                          |

### Attention

1.This datasheet is downloaded from the website of Murata Manufacturing Co., Ltd. Therefore, it's specifications are subject to change or our products in it may be discontinued without advance notice. Please check with our sales representatives or product engineers before ordering.

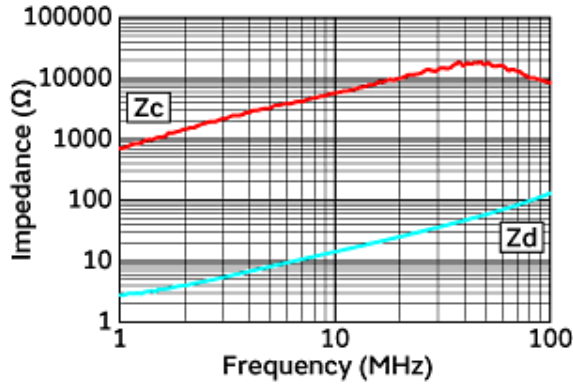
2.This datasheet has only typical specifications because there is no space for detailed specifications.

Therefore, please review our product specifications or consult the approval sheet for product specifications before ordering.

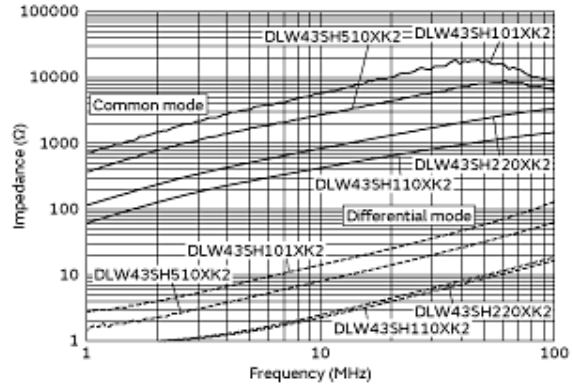
# DLW43SH101XK2#

"#" indicates a package specification code.

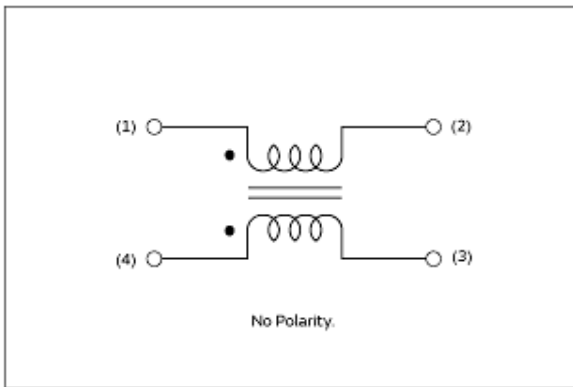
## Product Data



Impedance-Frequency Characteristics



Impedance-Frequency Characteristics (Main Items)



Equivalent Circuit

**Attention**

- 1.This datasheet is downloaded from the website of Murata Manufacturing Co., Ltd. Therefore, it's specifications are subject to change or our products in it may be discontinued without advance notice. Please check with our sales representatives or product engineers before ordering.
- 2.This datasheet has only typical specifications because there is no space for detailed specifications. Therefore, please review our product specifications or consult the approval sheet for product specifications before ordering.