

# DLW32SH110XK2#

“#” indicates a package specification code.

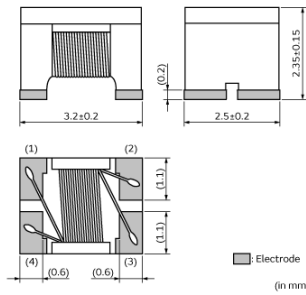
For CAN



< List of part numbers with package codes >

DLW32SH110XK2L DLW32SH110XK2B

## Appearance & Shape



## Features

1. Suitable for noise suppression at car area networks like CAN.
2. High common mode impedance at high frequency range.  
So it is suitable for noise suppression through wide frequency range.
3. Wide operating temperature range (-40 to +125 degrees C)

### Applications

Common mode noise suppression for car area networks like CAN.

## Applications

Automotive Usage	Powertrain/Safety
------------------	-------------------

## Packaging Information

Packaging	Specifications	Minimum Order Quantity
L	180mm Embossed Tape	1500
B	Bulk(Bag)	500

### Attention

1. This datasheet is downloaded from the website of Murata Manufacturing Co., Ltd. Therefore, its specifications are subject to change or our products in it may be discontinued without advance notice. Please check with our sales representatives or product engineers before ordering.
2. This datasheet has only typical specifications because there is no space for detailed specifications.  
Therefore, please review our product specifications or consult the approval sheet for product specifications before ordering.

# DLW32SH110XK2#

“#” indicates a package specification code.



## Specifications

Shape	SMD	Mass(typ.)	0.072g
Size Code (in mm)	3225	Number of Circuit	1
Size Code (in inch)	1210	Common Mode Inductance	11μH-30%/+50% (at 0.1MHz)
Length	3.2mm	Operating Temperature Range(Self-temperature rise is included)	No
Length Tolerance	±0.2mm		
Width	2.5mm		
Width Tolerance	±0.2mm		
Thickness	2.35mm		
Thickness Tolerance	±0.15mm		
Rated Current	300mA		
Derating of Rated Current	No		
Rated Voltage	80Vdc		
Withstanding Voltage	200Vdc		
DC Resistance(max.)	0.4Ω		
DC Resistance	0.4Ω max.		
Insulation Resistance(min.)	10MΩ		
Operating Temperature Range	-40°C to 125°C		

### Attention

1.This datasheet is downloaded from the website of Murata Manufacturing Co., Ltd. Therefore, it's specifications are subject to change or our products in it may be discontinued without advance notice. Please check with our sales representatives or product engineers before ordering.

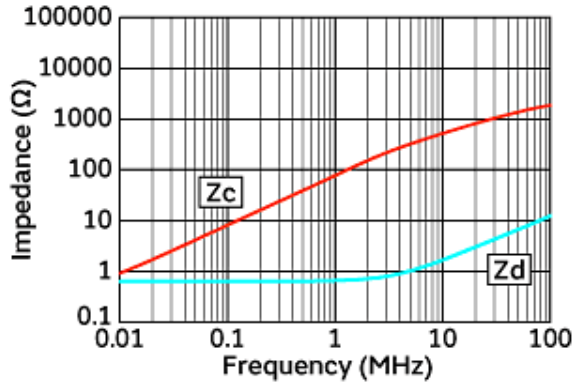
2.This datasheet has only typical specifications because there is no space for detailed specifications.

Therefore, please review our product specifications or consult the approval sheet for product specifications before ordering.

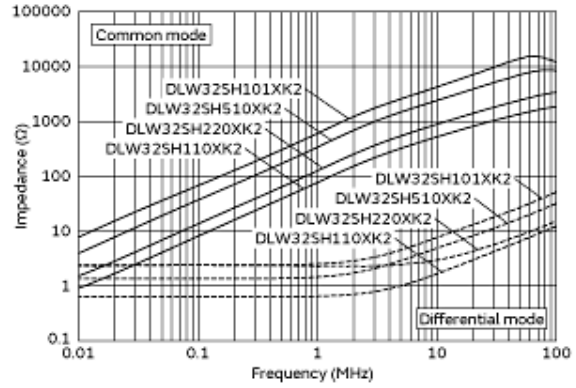
# DLW32SH110XK2#

"#" indicates a package specification code.

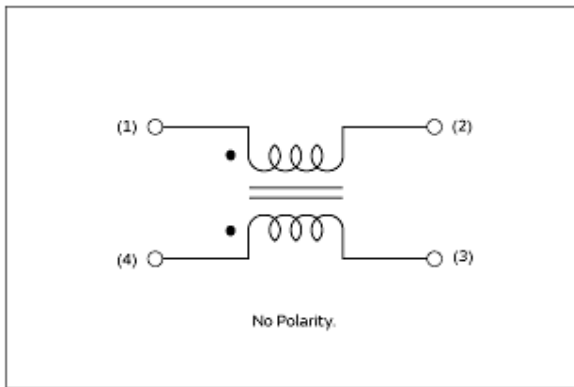
## Product Data



Impedance-Frequency Characteristics



Impedance-Frequency Characteristics (Main Items)



Equivalent Circuit

**Attention**

- 1.This datasheet is downloaded from the website of Murata Manufacturing Co., Ltd. Therefore, it's specifications are subject to change or our products in it may be discontinued without advance notice. Please check with our sales representatives or product engineers before ordering.
- 2.This datasheet has only typical specifications because there is no space for detailed specifications. Therefore, please review our product specifications or consult the approval sheet for product specifications before ordering.