

# DLW32MH101XT2#

“#” indicates a package specification code.

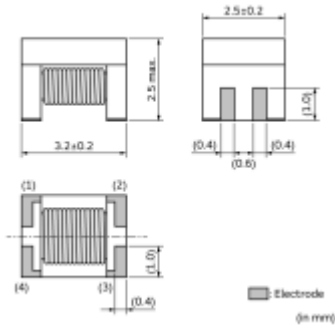
For 1000Base-T1



< List of part numbers with package codes >

DLW32MH101XT2L DLW32MH101XT2B

## Appearance & Shape



## Features

1. Suitable for noise suppression at car area networks.
2. Compliant with 1000Base-T1 of automotive Ethernet standard.
3. Wide operating temperature range meet automotive application. (-40 to +125 degrees C)

## Applications

Automotive Usage	Powertrain/Safety
------------------	-------------------

## Packaging Information

Packaging	Specifications	Minimum Order Quantity
L	180mm Embossed Tape	1500
B	Bulk(Bag)	500

### Attention

- 1.This datasheet is downloaded from the website of Murata Manufacturing Co., Ltd. Therefore, it's specifications are subject to change or our products in it may be discontinued without advance notice. Please check with our sales representatives or product engineers before ordering.
- 2.This datasheet has only typical specifications because there is no space for detailed specifications.  
Therefore, please review our product specifications or consult the approval sheet for product specifications before ordering.

# DLW32MH101XT2#

“#” indicates a package specification code.



## Specifications

Shape	SMD	Mass(typ.)	0.064g
Size Code (in mm)	3225	Number of Circuit	1
Size Code (in inch)	1210	Common Mode Inductance	100μH (Typ.) at 500mV,0.1MHz 80μH -25%/+50% at 100mV,0.1MHz
Length	3.2mm	Operating Temperature Range(Self-temperature rise is included)	No
Length Tolerance	±0.2mm		
Width	2.5mm		
Width Tolerance	±0.2mm		
Thickness	2.5mm		
Thickness Tolerance	max.		
Rated Current	100mA		
Derating of Rated Current	No		
Rated Voltage	50Vdc		
Withstanding Voltage	125Vdc		
DC Resistance(max.)	3.12Ω		
DC Resistance	2.6Ω±20%		
Insulation Resistance(min.)	10MΩ		
Operating Temperature Range	-40°C to 125°C		

### Attention

1.This datasheet is downloaded from the website of Murata Manufacturing Co., Ltd. Therefore, it's specifications are subject to change or our products in it may be discontinued without advance notice. Please check with our sales representatives or product engineers before ordering.

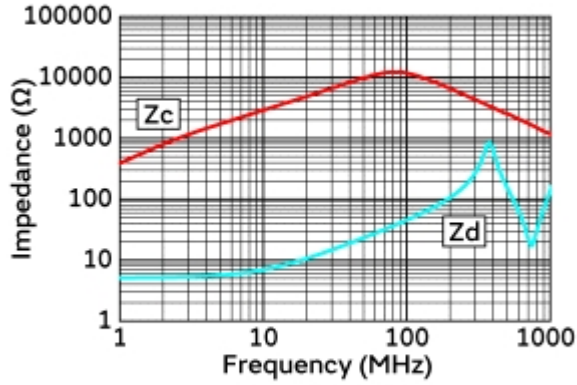
2.This datasheet has only typical specifications because there is no space for detailed specifications.

Therefore, please review our product specifications or consult the approval sheet for product specifications before ordering.

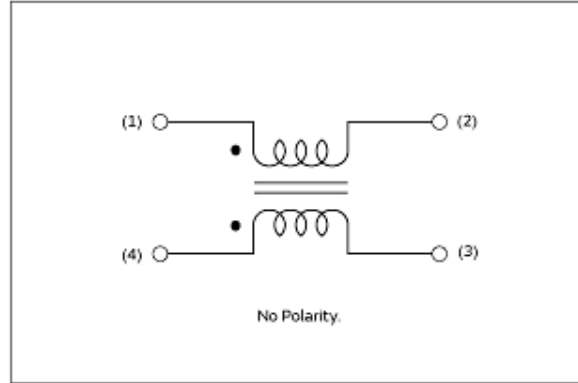
# DLW32MH101XT2#

"#" indicates a package specification code.

## Product Data



Impedance-Frequency Characteristics



Equivalent Circuit

**Attention**

- 1.This datasheet is downloaded from the website of Murata Manufacturing Co., Ltd. Therefore, it's specifications are subject to change or our products in it may be discontinued without advance notice. Please check with our sales representatives or product engineers before ordering.
- 2.This datasheet has only typical specifications because there is no space for detailed specifications.  
Therefore, please review our product specifications or consult the approval sheet for product specifications before ordering.