

# DLPA2005 Power Management and LED Driver IC for DLP® Pico™ Projectors

## 1 Features

- High Efficiency RGB LED Driver With Buck-Boost Dc-to-Dc Converter, DMD Supplies, DPP Core Supply, 1.8 V Load Switch, and Measurement System in a Small Chip-Scale Package
- Three Low-Impedance (30 mΩ Typical at 27°C) MOSFET Switches for Channel Selection
- Independent, 10-Bit Current Control per Channel
- 2.4-A Max LED Current for DLPA2005 Embedded Applications
- DMD Regulators
  - Requires Only a Single Inductor
  - VOFS: 10 V
  - VBIAS: 18 V
  - VRST: –14 V
  - Passive Discharge to GND When Disabled
- DPP 1.1-V Core Supply
  - Synchronous Step-Down Converter With Integrated Switching FETs
  - Supports up to 600-mA Output Current
- VLED Buck Boost Converter
  - Power Save Mode at Light Load Current
- Low-Impedance Load Switch
  - $V_{IN}$  Range from 1.8 to 3.6 V
  - Supports up to 200 mA of Current
  - Passive Discharge to GND When Disabled
- DMD Reset Signal Generation and Power Supply Sequencing
- 33-MHz Serial Peripheral Interface (SPI)
- Multiplexer for Measuring Analog Signals
  - Battery Voltage

- LED Voltage, LED Current
- Light Sensor (for White Point Correction)
- Internal Reference Voltage
- External (Thermistor) Temperature Sensor
- Monitoring and Protection Circuits
  - Hot Die Warning and Thermal
  - Low-Battery Warning
  - Programmable Battery Undervoltage Lockout (UVLO)
  - Load Switch UVLO
  - Overcurrent and Undervoltage Protection
- DLPA2005 QFN Package
  - 48-Pin 0.4-mm Pitch
  - Die Size: 6.0 mm × 6.0 mm ± 0.15 mm

## 2 Applications

DLP® Pico™ Projector

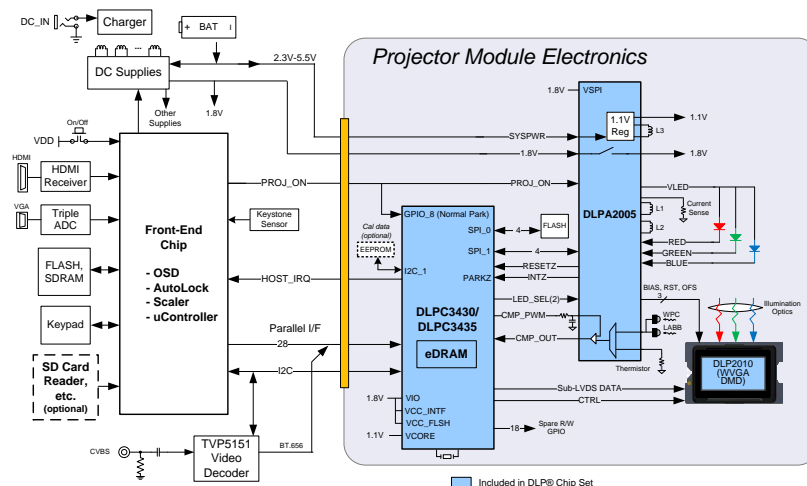
## 3 Description

DLPA2005 is a dedicated PMIC/RGB LED driver for the DLP2010 and DLP3010 DMD when used with DLPC3430/DLPC3433/DLPC3435/DLCP3438 controller. For reliable operation of the DLP2010 and DLP3010 chipset it is recommended to use DLPA2000 or DLPA2005 devices.

### Device Information<sup>(1)</sup>

PART NUMBER	PACKAGE	BODY SIZE (NOM)
DLPA2005	VQFN (48)	6.00 mm × 6.00 mm ± 0.150 mm

(1) For all available packages, see the orderable addendum at the end of the data sheet.



## Table of Contents

<b>1 Features</b> .....	1	7.4 Device Functional Modes.....	25
<b>2 Applications</b> .....	1	7.5 Register Maps .....	27
<b>3 Description</b> .....	1	<b>8 Application and Implementation</b> .....	38
<b>4 Revision History</b> .....	2	8.1 Application Information.....	38
<b>5 Pin Configuration and Functions</b> .....	3	8.2 Typical Application .....	38
<b>6 Specifications</b> .....	5	<b>9 Power Supply Recommendations</b> .....	40
6.1 Absolute Maximum Ratings .....	5	<b>10 Layout</b> .....	41
6.2 Handling Ratings.....	5	10.1 Layout Guidelines .....	41
6.3 Recommended Operating Conditions.....	5	10.2 Layout Example .....	41
6.4 Thermal Information .....	5	10.3 Thermal Considerations.....	42
6.5 Electrical Characteristics.....	6	<b>11 Device and Documentation Support</b> .....	43
6.6 Data Transmission Timing Requirements.....	10	11.1 Device Support.....	43
6.7 Typical Characteristics.....	10	11.2 Trademarks .....	43
<b>7 Detailed Description</b> .....	12	11.3 Electrostatic Discharge Caution.....	43
7.1 Overview .....	12	11.4 Glossary .....	43
7.2 Functional Block Diagram .....	12	<b>12 Mechanical, Packaging, and Orderable Information</b> .....	43
7.3 Feature Description.....	13		

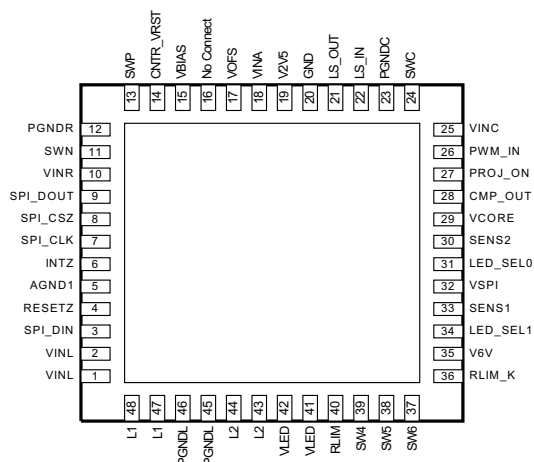
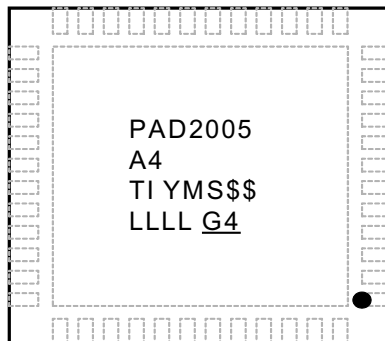
## 4 Revision History

### Changes from Original (August 2014) to Revision A

Page

- Changed device status from Product preview to Production Data and released full version of the document. .... 1

## 5 Pin Configuration and Functions

 DLPA2005 VQFN Package  
(BOTTOM VIEW)

 Package Marking DLPA2005  
(TOP VIEW)


TI = TI LETTERS  
 YM = YEAR / MONTH DATE CODE  
 LLLL = ASSY LOT CODE  
 S = ASSEMBLY SITE CODE  
 PER QSS 005-120  
 \$\$ = WAFER FAB CODE  
 (1 or 2 CHARACTERS)  
 ● = pin 1 Marking

### Pin Functions

PIN		I/O	DESCRIPTION
NAME	NUMBER		
VINL	1	I	Power supply input for VLED BUCK-BOOST power stage. Connect to system power.
	2		
SPI_DIN	3	I	SPI data input
RESETZ	4	O	Reset output to the DLP system (active low). Pin is held low to reset DLP system.
AGND1	5	GND	Analog ground. Connect to ground plane.
INTZ	6	O	Interrupt output signal (open drain). Connect to pullup resistor or short to ground.
SPI_CLK	7	I	Clock input for SPI interface
SPI_CSZ	8	I	SPI chip select (active low)
SPI_DOUT	9	O	SPI data output
VINR	10	I	Power supply input for DMD switch mode power supply (SMPS). Connect to system power.
SWN	11	I	Connection for the DMD SMPS-inductor (high-side switch).
PGNDR	12	GND	Power ground for DMD SMPS. Connect to ground plane.
SWP	13	O	Connection for the DMD SMPS-inductor (low-side switch).
CNTR_VRST	14	O	Connection to VRST for fast discharge function
VBIAS	15	O	VBIAS output rail. Connect to ceramic capacitor.
No Connect	16	I	Previously reference pin for the VRST regulator. On A4 design this reference is internal to DLPA2005 chip.
VOFS	17	O	VOFS output rail. Connect to ceramic capacitor.
VINA	18	POWER	Power supply input for sensitive analog circuitry
V2V5	19	O	Internal supply filter pin for digital logic; typical 2.5 V
GND	20	GND	Ground connection to be connected to ground plane.
LS_OUT	21	O	Load switch
LS_IN	22	I	Load switch
PGNDC	23	GND	Power ground for VCORE BUCK
SWC	24	I/O	Connection for 1.1-V BUCK inductor
VINC	25	I	Power supply input for VCORE BUCK power stage. Connect to system power.
PWM_IN	26	I	Reference voltage input for analog comparator.
PROJ_ON	27	I	Input signal to enable or disable the IC and DLP projector.

**Pin Functions (continued)**

PIN		I/O	DESCRIPTION
NAME	NUMBER		
CMP_OUT	28	O	Analog-comparator output.
VCORE	29	I	VCORE BUCK converter feedback pin.
SENS2	30	I	Input signal from temperature sensor.
LED_SEL0	31	I	Digital input to the RGB Strobe Decoder
VSPI	32	I	Power supply input for SPI interface. Connect to system I/O voltage.
SENS1	33	I	Input signal from light sensor.
LED_SEL1	34	I	Digital input to the RGB Strobe Decoder
V6V	35	O	Internal supply filter pin for gate driver circuitry. Typical 6.25 V
RLIM_K	36	I	Kelvin sense connection to top side of LED current sense resistor. For best accuracy, route this trace directly to the top of the current sense resistor and separate it from the normal trace from the current sense resistor to the RLIM pins.
SW6	37	O	Low-side MOSFET switch for LED cathode. Connect to RGB LED assembly.
SW5	38	O	Low-side MOSFET switch for LED cathode. Connect to RGB LED assembly.
SW4	39	O	Low-side MOSFET switch for LED cathode. Connect to RGB LED assembly.
RLIM	40	O	Connection to LED 'current sense' resistor. Bottom side of sense resistor is connected to GND.
VLED	41 / 42	O	VLED BUCK-BOOST converter output pin.
L2	43 / 44	I	Connection for VLED BUCK-BOOST inductor.
PGNDL	45 / 46	GND	Power ground for VLED BUCK-BOOST. Connect to ground plane.
L1	47 / 48	O	Connection for VLED BUCK-BOOST inductor.

## 6 Specifications

### 6.1 Absolute Maximum Ratings

Over operating free-air temperature (unless otherwise noted)<sup>(1)</sup>

	MIN	MAX	UNIT
Input voltage at VINL, VINA, VINR, VINC	-0.3	7	V
Ground pins to system ground	-0.3	0.3	V
Voltage at SWN	-18	7	V
Voltage at SWP, VBIAS	-0.3	20	V
Voltage at VOFS	-0.3	12	V
Voltage at V6V, VLED, L1, L2, SWC, SW4, SW5, SW6, INTZ, PROJ_ON	-0.3	7	V
Voltage at all pins, unless noted otherwise	-0.3	3.6	V
Source current RESETZ, CMP_OUT		1	mA
Source current SPI_DOUT		5.5	mA
Sink current RESETZ, CMP_OUT		1	mA
Sink current SPI_DOUT, INTZ		5.5	mA
Peak output current	Internally limited		
Continuous total power dissipation	Internally limited by thermal shutdown		
T <sub>J</sub> , Operating junction temperature	-30	150	°C

- (1) Stresses beyond those listed under *Absolute Maximum Ratings* may cause permanent damage to the device. These are stress ratings only, which do not imply functional operation of the device at these or any other conditions beyond those indicated under *Recommended Operating Conditions*. Exposure to absolute-maximum-rated conditions for extended periods may affect device reliability.

### 6.2 Handling Ratings

	MIN	MAX	UNIT	
T <sub>stg</sub> Storage temperature range	-65	150	°C	
V <sub>(ESD)</sub> Electrostatic discharge	Human body model (HBM), per ANSI/ESDA/JEDEC JS-001, all pins <sup>(1)</sup>	-2000	+2000	V
	Charged device model (CDM), per JEDEC specification JESD22-C101, all pins <sup>(2)</sup>	-500	500	

- (1) JEDEC document JEP155 states that 500-V HBM allows safe manufacturing with a standard ESD control process.

- (2) JEDEC document JEP157 states that 250-V CDM allows safe manufacturing with a standard ESD control process.

### 6.3 Recommended Operating Conditions

Over operating free-air temperature range (unless otherwise noted).

	MIN	NOM	MAX	UNIT	
Input voltage at VINL, VINA, VINR, VINC,	Full functional and parametric performance	2.7	3.6	6	V
	Extended operating range, limited parametric performance	2.3	3.6	6	
Voltage at VSPI	1.65	1.8	3.6	V	
Operational ambient temperature	-10		85	°C	
Operational junction temperature	-10		120	°C	

### 6.4 Thermal Information

THERMAL METRIC <sup>(1)</sup>	DLPA2005	UNIT
	RSL (48 PINS)	
R <sub>θJA</sub> Junction-to-ambient thermal resistance <sup>(2)</sup>	27.9	°C/W

- (1) For more information about traditional and new thermal metrics, see the *IC Package Thermal Metrics* application report, [SPRA953](#).

- (2) Estimated when mounted on high K JEDEC board per JESD 51-7 with thickness of 1.6 mm, 4 layers, size of 76.2 mm × 114.3 mm, and 2-oz. copper for top and bottom plane. Actual thermal impedance will depend on PCB used in the application.

## 6.5 Electrical Characteristics<sup>(1)(2)(3)</sup>

over operating free-air temperature range (unless otherwise noted)

PARAMETER		TEST CONDITIONS	MIN	TYP	MAX	UNIT
<b>SUPPLIES</b>						
<b>INPUT VOLTAGE</b>						
V <sub>IN</sub>	Input voltage range	V <sub>INA</sub> , V <sub>INR</sub> , V <sub>INL</sub> , V <sub>INC</sub>	2.7	3.6	6	V
	Extended input voltage range <sup>(1)</sup>		2.3	3.6	6	
V <sub>LOW_BAT</sub>	Low-battery warning threshold	V <sub>INA</sub> falling	3			V
	Hysteresis	V <sub>INA</sub> rising	100			mV
V <sub>hys(UVLO)</sub>	Undervoltage lockout threshold	V <sub>INA</sub> falling (through 5-bit trim function)	2.3		4.5	V
	Hysteresis	V <sub>INA</sub> rising	100			mV
V <sub>STARTUP</sub>	Startup voltage	V <sub>BIAS</sub> , V <sub>OFS</sub> , V <sub>RST</sub> ; loaded with 2 mA	2.5			V
<b>INPUT CURRENT</b>						
I <sub>Q</sub>	ACTIVE mode	Motor current excluded	15			mA
I <sub>STD</sub>	STANDBY mode		900			μA
I <sub>IDLE</sub>	IDLE mode		10			μA
<b>INTERNAL SUPPLIES</b>						
V <sub>V6V</sub>	Internal supply, analog		6.25			V
C <sub>LDO_V6V</sub>	Filter capacitor for V6V LDO		100			nF
V <sub>V2V5</sub>	Internal supply, logic		2.5			V
C <sub>LDO_V2V5</sub>	Filter capacitor for V2V5 LDO		2.2			μF
<b>DMD REGULATOR</b>						
R <sub>DS(ON)</sub>	MOSFET ON-resistance	Switch E (from V <sub>INR</sub> to SWN)	1000			mΩ
		Switch F (from SWP to PGNDR)	320			
V <sub>FW</sub>	Forward voltage drop	Switch G <sup>(2)</sup> (from SWP to V <sub>BIAS</sub> [2]) V <sub>INR</sub> = 5 V, V <sub>SWP</sub> = 2 V, I <sub>F</sub> = 100 mA	1.3			V
		Switch H (from SWP to V <sub>OFS</sub> ) V <sub>INR</sub> = 5 V, V <sub>SWP</sub> = 2 V, I <sub>F</sub> = 100 mA	1.3			
t <sub>DIS</sub>	Rail discharge time	V <sub>IN</sub> = 2.9 V; C <sub>OUT</sub> = 110 nF			40	μs
t <sub>PG</sub>	Power-good timeout	Not tested in production	6			ms
I <sub>LIMIT</sub>	Switch current limit		312			mA
L	Inductor value		10			μH
<b>VOFS REGULATOR</b>						
V <sub>OFS</sub>	Output voltage		10			V
	DC output voltage accuracy	I <sub>OUT</sub> = 2 mA	-2%		2%	
	DC load regulation	V <sub>IN</sub> = 3.6 V, I <sub>OUT</sub> = 0 to 2 mA	-19			V/A
	DC line regulation	V <sub>INA</sub> , V <sub>INL</sub> , V <sub>INR</sub> , V <sub>INC</sub> 2.7 to 6 V, I <sub>OUT</sub> = 2 mA	35			mV/V
V <sub>RIPPLE</sub>	Output ripple	V <sub>IN</sub> = 3.6 V, I <sub>OUT</sub> = 2 mA, C <sub>OUT</sub> = 440 nF <sup>(4)</sup>	375			mVpp
I <sub>OUT</sub>	Output current		0		3	mA
PG	Power-good threshold (fraction of nominal output voltage)	V <sub>OFS</sub> rising	86%			
		V <sub>OFS</sub> falling	66%			
R <sub>DIS</sub>	Output discharge resistor	Active when rail is disabled	100			Ω
C <sub>OUT</sub>	Output capacitor	Recommended value (output capacitors for V <sub>OFS</sub> / V <sub>BIAS</sub> must be equal)	110	220		nF
		t <sub>DISCHARGE</sub> < 40 μs at 2.9 V	100		110	nF
<b>VBIAS REGULATOR</b>						

(1) Fully functional but limited parametric performance

(2) Including rectifying diode

(3) Typical values are at 25 °C.

 (4) To reduce ripple the C<sub>OUT</sub> can be increased. V<sub>RIPPLE</sub> is inversely proportional to C<sub>OUT</sub>.

**Electrical Characteristics<sup>(1)(2)(3)</sup> (continued)**

over operating free-air temperature range (unless otherwise noted)

PARAMETER		TEST CONDITIONS	MIN	TYP	MAX	UNIT
V <sub>BIAS</sub>	Output voltage			18		V
	DC output voltage accuracy	I <sub>OUT</sub> = 2 mA	-2%		2%	
	DC Load regulation	V <sub>IN</sub> = 3.6 V, I <sub>OUT</sub> = 0 to 2 mA		-14		V/A
	DC Line regulation	V <sub>INA</sub> , V <sub>INL</sub> , V <sub>INR</sub> , V <sub>INC</sub> 2.7 to 6 V, I <sub>OUT</sub> = 2 mA		18		mV/V
V <sub>RIPPLE</sub>	Output ripple	V <sub>IN</sub> = 3.6 V, I <sub>OUT</sub> = 2 mA, C <sub>OUT</sub> = 440 nF (see <sup>(4)</sup> )		375		mVpp
I <sub>OUT</sub>	Output current		0		4	mA
PG	Power-good threshold (fraction of nominal output voltage)	V <sub>BIAS</sub> rising		86%		
		V <sub>BIAS</sub> falling		66%		
R <sub>DIS</sub>	Output discharge resistor	Active when rail is disabled		100		Ω
C <sub>OUT</sub>	Output capacitor	Recommended value (output capacitors for VOFS / VBIAS must be equal)	110	220		nF
		t <sub>DISCHARGE</sub> < 40 μs at 2.9 V	100		110	
<b>VRST REGULATOR</b>						
V <sub>RST</sub>	Output voltage			-14		V
	DC output voltage accuracy	I <sub>OUT</sub> = 2 mA	-3%		3%	
	DC load regulation	V <sub>IN</sub> = 3.6 V, I <sub>OUT</sub> = 0 to 2 mA		13		V/A
	DC line regulation	V <sub>INA</sub> , V <sub>INL</sub> , V <sub>INR</sub> , V <sub>INC</sub> 2.7 to 6 V, I <sub>OUT</sub> = 2 mA		-21		mV/V
V <sub>RIPPLE</sub>	Output ripple	V <sub>IN</sub> = 3.6 V, I <sub>OUT</sub> = 2 mA, C <sub>OUT</sub> = 440 nF (see <sup>(4)</sup> )		375		mVpp
V <sub>REF_VRST</sub>	Reference voltage			500		mV
I <sub>OUT</sub>	Output current		0		4	mA
PG	Power-good threshold (fraction of nominal output voltage)	V <sub>RST</sub> rising		90%		
		V <sub>RST</sub> falling		90%		
R <sub>DIS</sub>	Output discharge resistor	Active when rail is disabled		±150		Ω
C <sub>OUT</sub>	Output capacitor		110	220		nF
		t <sub>DISCHARGE</sub> < 70 μs at V <sub>BAT</sub> ≥ 2.7 V	100		110	
<b>LED DRIVER</b>						
<b>VLED BUCK-BOOST</b>						
V <sub>LED</sub>	Output voltage range		1.2		5.4	V
	Default output voltage	SW4, SW5, SW6 in OPEN position		3.5		
V <sub>OVP</sub>	Output overvoltage protection	Clamps buck-boost output	5.5		7	V
V <sub>LED_OVP</sub>	Fault detection threshold	Triggers VLED_OVP interrupt		5.4		V
I <sub>SW</sub>	Switch current limit		3.5	4.0	4.5	A
R <sub>DS(ON)</sub>	MOSFET ON-resistance	Switch A (from VINL to L1)		50		mΩ
		Switch B (from L1 to PGNDL)		50		
		Switch C (from L2 to PGNDL)		50		
		Switch D (from L2 to VLED)		50		
f <sub>SW</sub>	Switching frequency			2.25		MHz
C <sub>OUT</sub>	Output capacitance			2 × 22		μF
<b>RGB STROBE CONTROLLER SWITCHES</b>						
R <sub>DS(ON)</sub>	Drain-source ON-resistance	SW4, SW5, SW6		30	75	mΩ
I <sub>LEAK</sub>	OFF-state leakage current	V <sub>DS</sub> = 5 V			1	μA
<b>LED CURRENT CONTROL</b>						
V <sub>f</sub>	LED forward voltage				4.55	V

**Electrical Characteristics<sup>(1)(2)(3)</sup> (continued)**

over operating free-air temperature range (unless otherwise noted)

PARAMETER		TEST CONDITIONS	MIN	TYP	MAX	UNIT
I <sub>LED</sub>	LED Currents	V <sub>IN</sub> ≥ 4.50 V, V <sub>LED</sub> ≤ 4.8 V; (closed loop operation) Covers USB power and 5 V AC adapter Current at max. code 0x3CBh for SWx_IDAC[9:0] R <sub>LIM</sub> = 39mΩ, 0.1%, T <sub>A</sub> ≤ 45°C (see register settings)	2200	2400	2600	mA
		V <sub>IN</sub> ≥ 2.7 V, V <sub>LED</sub> ≤ 4.8 V, (closed loop operation) Covers single cell Li-ion battery with high current loading Current at max. code 0x20Eh for SWx_IDAC[9:0] R <sub>LIM</sub> = 39 mΩ, 0.1%, T <sub>A</sub> = 25 C (see register settings)		1300		
	DC current accuracy, SW4, 5, 6	R <sub>LIM</sub> = 39 mΩ	±100			mA
	Transient LED current limit range	ILIM[3:0] = 0000 at RLIM = 39 mΩ ILIM[3:0] = 1111	333			mA
3846						
t <sub>rise</sub>	Current rise time	I <sub>LED</sub> from 5% to 95%, I <sub>LED</sub> = 300 mA, Transient current limit disabled Not tested in production			50	μs
<b>1.1-V REGULATOR</b>						
<b>VCORE (BUCK)</b>						
V <sub>IN</sub>	Input voltage		2.3		6	V
V <sub>OUT</sub>	Nominal fixed output voltage			1.1		V
	DC output voltage accuracy	0 mA ≤ I <sub>OUT</sub> ≤ 600 mA at V <sub>IN</sub> > 2.5 V V <sub>OUT</sub> = 1.1 V	-1.5%		1.5%	
d	Maximum duty cycle				100%	
R <sub>DS(ON)</sub>	Low-side MOSFET on-resistance	V <sub>IN</sub> = 3.6 V, T <sub>J</sub> = 27°C		185	380	mΩ
	High-side MOSFET on-resistance			240	480	mΩ
I <sub>OUT</sub>	Output current	V <sub>IN</sub> > 2.3 V		300	600	mA
I <sub>LIMIT</sub>	Switch current limit			1		A
t <sub>SS</sub>	Soft-start time	Time to ramp from 10% to 90% of V <sub>OUT</sub> , V <sub>IN</sub> = 3.6 V		250		μs
C <sub>OUT</sub>	Output capacitance			10		μF
L	Nominal Inductance			2.2		μH
<b>LOAD SWITCH</b>						
V <sub>IN</sub>	Input voltage range	LS_IN	1.8		3.6	V
R <sub>DS(ON)</sub>	P-channel MOSFET on-resistance	V <sub>IN</sub> = 1.8 V, over full temperature range		340	385	mΩ
C <sub>OUT</sub>	Output capacitor	Ceramic	4.7	10	12	μF
	ESR of output capacitor	Ceramic	5	20	500	mΩ
<b>MEASUREMENT SYSTEM (AFE)</b>						
G	Amplifier gain (PGA)	AFE_GAIN[1:0] = 01		1.0		V/V
		AFE_GAIN[1:0] = 10		9.5		
		AFE_GAIN[1:0] = 11		18		
V <sub>OFS</sub>	Input referred offset voltage	PGA, AFE_CAL_DIS = 1 Not tested in production	-1		1	mV
		Comparator Not tested in production	-1.5		1.5	

**Electrical Characteristics<sup>(1)(2)(3)</sup> (continued)**

over operating free-air temperature range (unless otherwise noted)

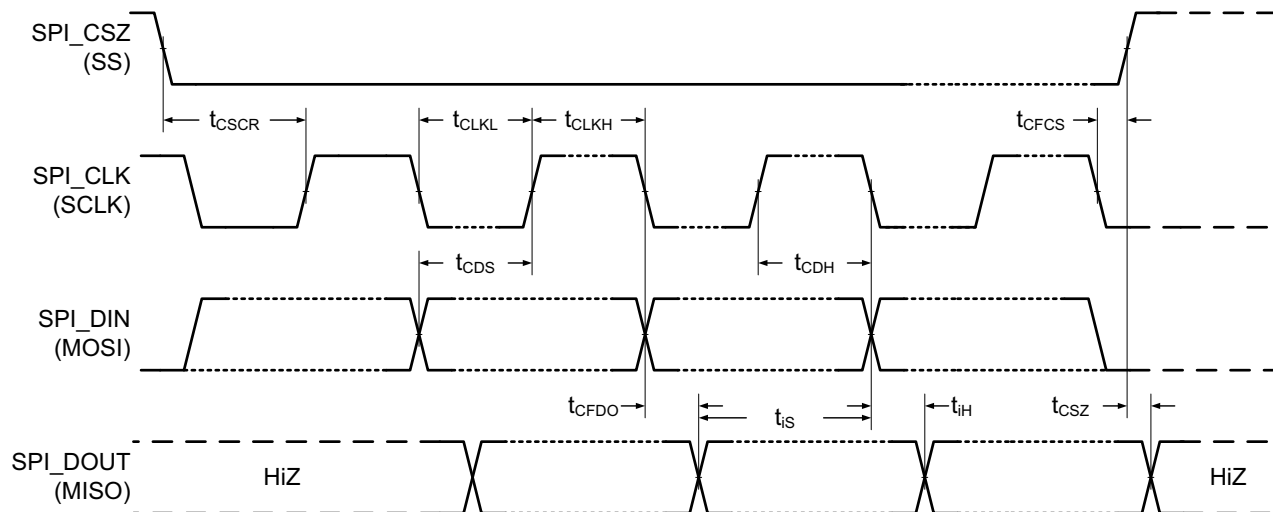
PARAMETER		TEST CONDITIONS	MIN	TYP	MAX	UNIT
$t_{\text{settle}}$	Settling time	To 1% of final value (not tested in production)			15	$\mu\text{s}$
		To 0.1% of final value (not tested in production)			52	
$f_{\text{sample}}$	Sampling rate	Not tested in production			19	kHz
<b>LOGIC LEVELS AND TIMING CHARACTERISTICS</b>						
$V_{\text{OL}}$	Output low-level	$I_{\text{O}} = 0.5\text{-mA}$ sink current (RESETZ, CMP_OUT)	0		0.3	V
		$I_{\text{O}} = 5\text{-mA}$ sink current (SPI_DOUT, INTZ)	0		$0.3 \times V_{\text{SPI}}$	
$V_{\text{OH}}$	Output high-level	$I_{\text{O}} = 0.5\text{-mA}$ source current (RESETZ, CMP_OUT)	1.3		2.5	V
		$I_{\text{O}} = 5\text{-mA}$ source current (SPI_DOUT)	$0.7 \times V_{\text{SPI}}$		$V_{\text{SPI}}$	
$V_{\text{IL}}$	Input low-level	PROJ_ON, LED_SEL0, LED_SEL1	0		0.4	V
		SPI_CSZ, SPI_CLK, SPI_DIN	0		$0.3 \times V_{\text{SPI}}$	
$V_{\text{IH}}$	Input high-level	PROJ_ON, LED_SEL0, LED_SEL1	1.2			V
		SPI_CSZ, SPI_CLK, SPI_DIN	$0.7 \times V_{\text{SPI}}$		$V_{\text{SPI}}$	
$I_{\text{BIAS}}$	Input bias current	$V_{\text{IO}} = 3.3\text{ V}$ , any input pin			0.5	$\mu\text{A}$
$t_{\text{DEGLITCH}}$	Deglitch time	PROJ_ON, (not tested in production)		1		ms
		LED_SEL0, LED_SEL1 pins (not tested in production)		300		ns
<b>INTERNAL OSCILLATOR</b>						
$f_{\text{OSC}}$	Oscillator frequency			9		MHz
	Frequency accuracy	$T_{\text{A}} = -30$ to $85^{\circ}\text{C}$	-10%		10%	
<b>THERMAL SHUTDOWN</b>						
$T_{\text{WARN}}$	Thermal warning (HOT threshold)			120		$^{\circ}\text{C}$
	Hysteresis			10		
$T_{\text{SHUTDOWN}}$	Thermal shutdown (TSD threshold)			150		$^{\circ}\text{C}$
	Hysteresis			15		

## 6.6 Data Transmission Timing Requirements

VBAT = 3.6 ± 5%, T<sub>A</sub> = 25 °C, C<sub>L</sub> = 10 pF (unless otherwise noted)

		MIN	TYP	MAX	UNIT
f <sub>CLK</sub>	Serial clock frequency	0		36	MHz
t <sub>CLKL</sub>	Pulse width low, SPI_CLK, 50% level	10			ns
t <sub>CLKH</sub>	Pulse width high, SPI_CLK, 50% level	10			ns
t <sub>t</sub>	Transition time, 20% to 80% level, all signals	0.2		4	ns
t <sub>CSCR</sub>	SPI_CSZ falling to SPI_CLK rising, 50% level	8			ns
t <sub>CFCS</sub>	SPI_CLK falling to SPI_CSZ rising, 50% level			1	ns
t <sub>CDS</sub>	SPI_DIN data setup time, 50% level	7			ns
t <sub>CDH</sub>	SPI_DIN data hold time, 50% level	6			ns
t <sub>IS</sub>	SPI_DOUT data setup time <sup>(1)</sup> , 50% level	10			ns
t <sub>IH</sub>	SPI_DOUT data hold time <sup>(1)</sup> , 50% level	0			ns
t <sub>CFDO</sub>	SPI_CLK falling to SPI_DOUT data valid, 50% level			13	ns
t <sub>CSZ</sub>	SPI_CSZ rising to SPI_DOUT HiZ			6	ns

(1) The DLPC3430/DLPC3435 processors send and receive data on the falling edge of the clock.

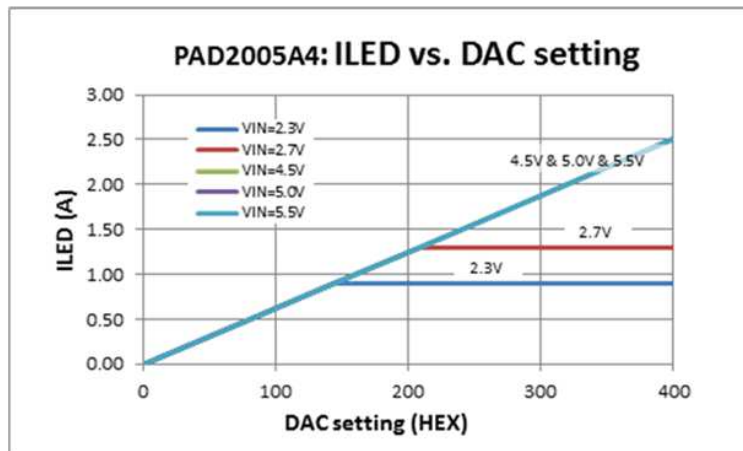


**Figure 1. SPI Timing Diagram**

## 6.7 Typical Characteristics

The maximum output current of the buck-boost is a function of input voltage (V<sub>IN</sub>), and output voltage (V<sub>LED</sub>). The relationship between V<sub>IN</sub>, V<sub>LED</sub>, and MAX I<sub>LED</sub> is shown in [Figure 2](#). Please note that V<sub>LED</sub> is the output of the buck-boost regulator, which includes the voltage drop across the sense resistor R<sub>LIM</sub> (39 mΩ typical), internal strobe control switch (75 mΩ max), and the forward voltage of the LED. For example, to drive 2.4 A of current through a LED with V<sub>f</sub> = 4.8 V using the DLPA2005, the minimum input voltage needs to be 4.5 V.

**Typical Characteristics (continued)**



$$2.3\text{ V} < \text{VLED} < 4.8\text{ V}$$

**Figure 2. Maximum LED Output Current as a Function of Input Voltage (VIN) and Buck-Boost Output Voltage (VLED)**

**NOTE**

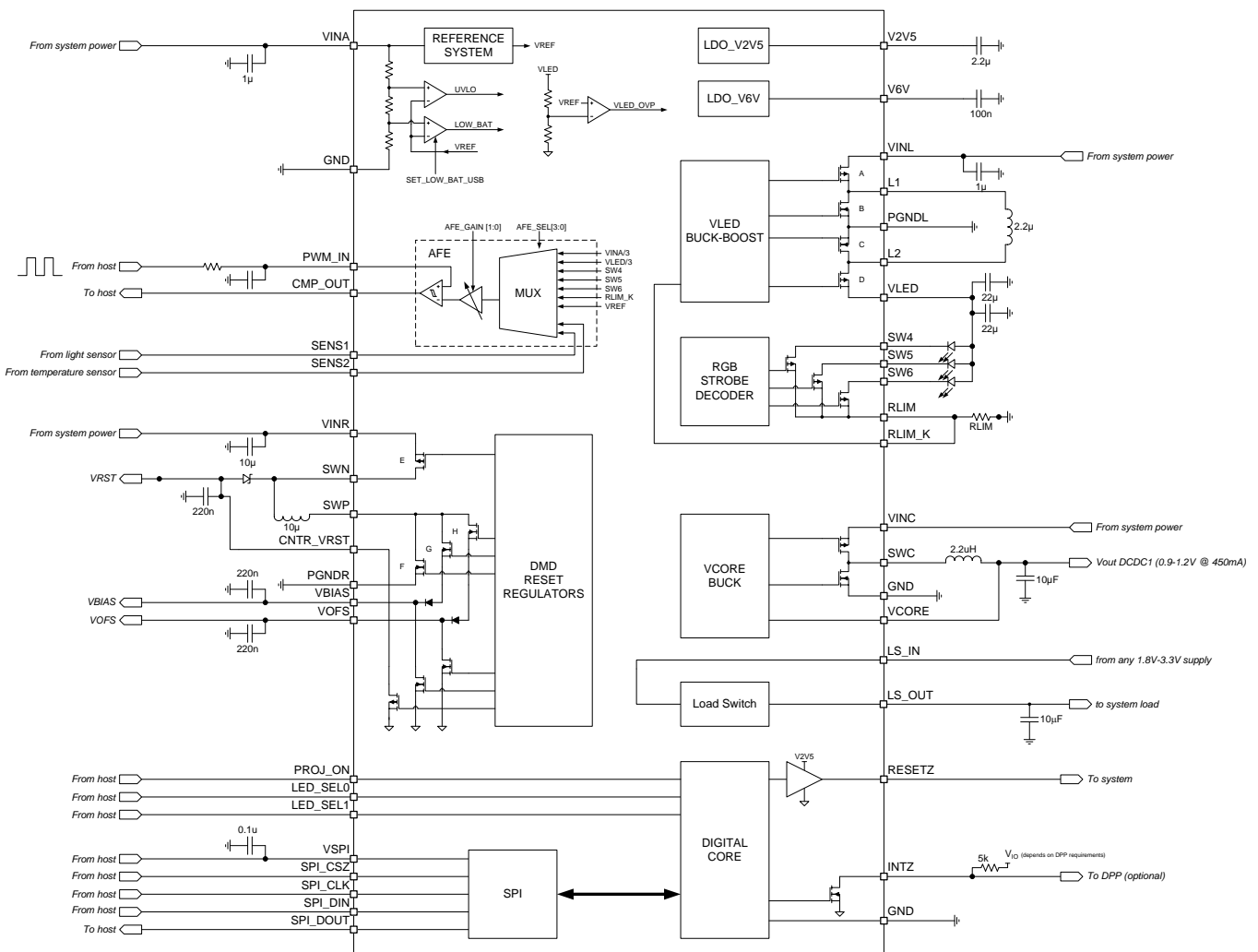
Measured on a typical unit. VLED is the output of the buck-boost regulator and includes the voltage drop across the sense resistor, internal strobe control switch, and the forward voltage of the LED.

## 7 Detailed Description

### 7.1 Overview

The DLPA2005 is a power management and LED driver IC optimized for DLP video and data display systems. DLPA2005 is part of the chipset comprising of either DLP2010 (.2WVGA) DMD and DLPC3430/DLPC3435 controller or the DLP3010 (.3 720p) DMD and DLPC3433/DLPC3438 controller. The DLPA2005 contains a complete LED driver including high efficiency power convertors. The DLPA2005 can supply up to 2.4 A per LED. Integrated high-current switches are included for sequentially selecting R, G, and B LEDs. The DLPA2005 also contains three regulated DC supplies for the DMD reset circuitry: VBIAS, VRST and VOFS, as well as a regulated DC supply of 1.1 V and a load switch for the 1.8 V to support the controllers. The DLPA2005 has a SPI used for setting the configuration. Using SPI, currents can be set independently for each LED with 10-bit resolution. Other features included are the generation of the system reset, power sequencing, input signals for sequentially selecting the active LED, IC self-protections, and an analog MUX for routing analog information to an external ADC.

### 7.2 Functional Block Diagram



- Pin names refer to DLPA2005 pinout
- Pins connected to 'system power' can be locally decoupled with the capacity as indicated in the block diagram. At least adequate decoupling capacity (50  $\mu$ F or more) should be connected at the location the supply is entering the board.

### 7.3 Feature Description

#### 7.3.1 DMD Regulators

DLPA2005 contains three switch-mode power supplies that power the DMD. These rails are VOFS, VBIAS, and VRST. After pulling the PROJ\_ON pin high, the DMD is first initialized followed by a power-up of the VOFS line after a small delay of less than 10 ms followed by VBIAS and VRST with an additional delay of 145 ms. The LED driver and STROBE DECODER circuit can only be enabled after all three rails are enabled. There are two power-down sequences, the normal power-down timing initiated after pulling the PROJ\_ON pin low, and a fast power-down mode where if any one of the rails encounters a fault such as an output short, all three rails are discharged simultaneously. The detailed power-up and power-down diagrams are shown in Figure 3 and Figure 4.

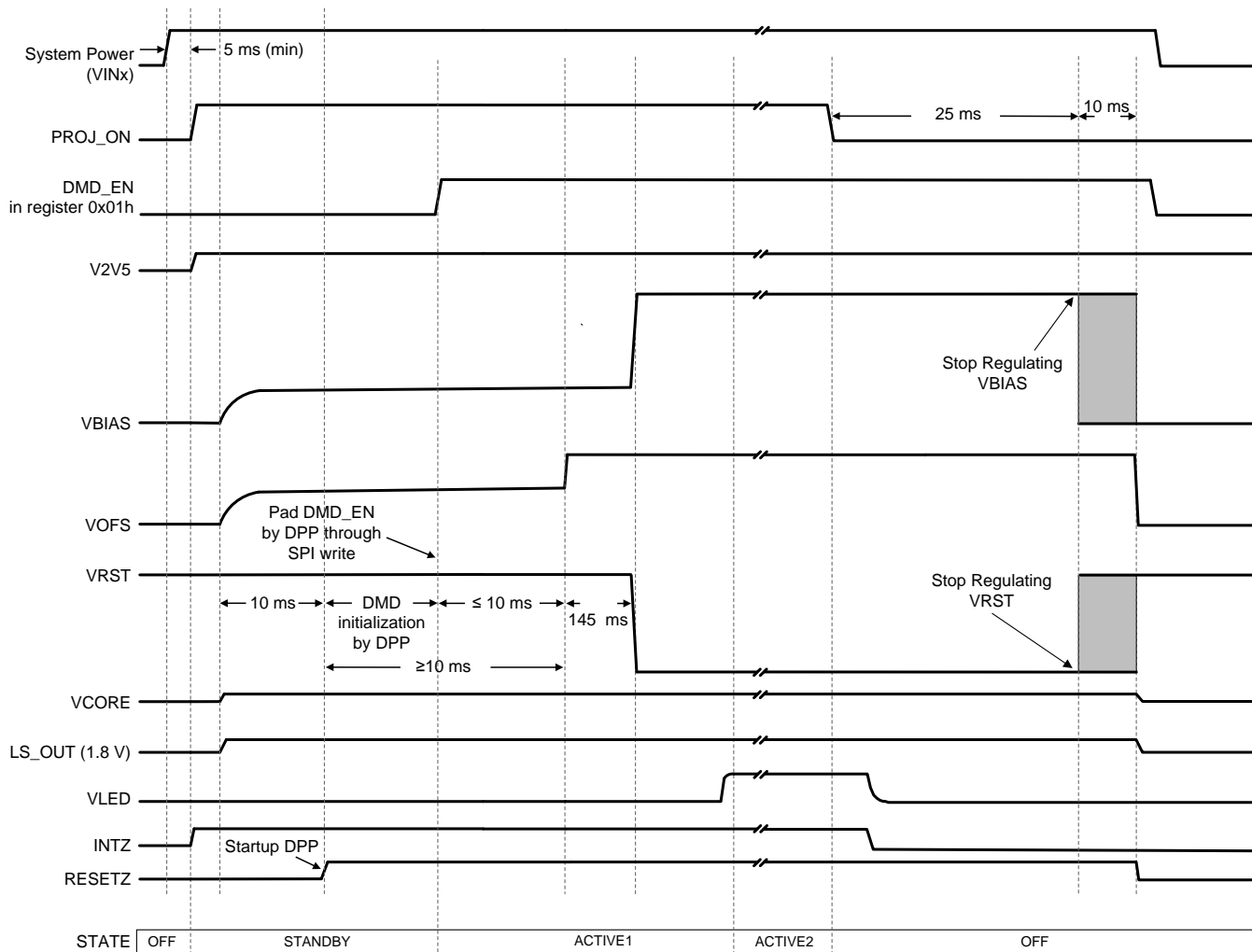
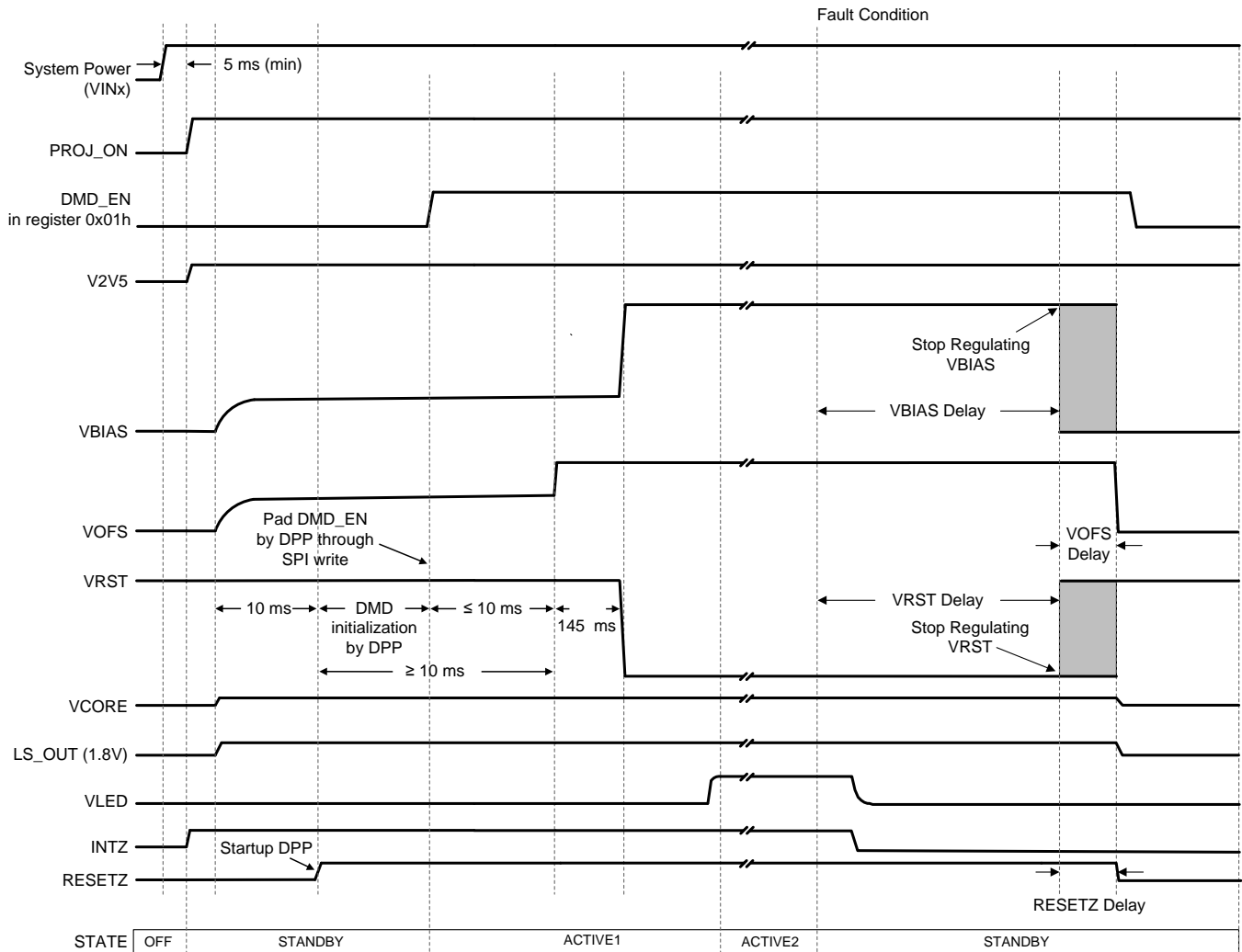


Figure 3. Power Sequence Normal Shutdown Mode

**NOTE**

All values are typical (unless otherwise noted).

Feature Description (continued)



(1) If the FAULT condition happens and its associated interrupt is masked in the Interrupt Mask Register (0Dh), the INTZ does not go low, but all other timing shown in the diagram is unaffected.

Figure 4. Power Sequence Fault Shutdown Mode

NOTE

All values are typical (unless otherwise noted).

7.3.2 RGB Strobe Decoder

DLPA2005 contains RGB color-sequential circuitry that is composed of three NMOS switches, the LED driver, the strobe decoder, and the LED current control. The NMOS switches are connected to the terminals of the external LED package and turn the currents through the LEDs on and off. Package connections are shown in Figure 5 and Figure 9 and corresponding switch map in Table 1.

The LED\_SEL[1:0] signals typically receive a rotating code switching from RED to GREEN to BLUE and then back to RED. When the LED\_SEL[1:0] input signals select a specific color, the NMOSFETs are controlled based on the color selected, and a 10-bit current control DAC for this color is selected that provides a control current to the RGB LEDs feedback control network.

Feature Description (continued)

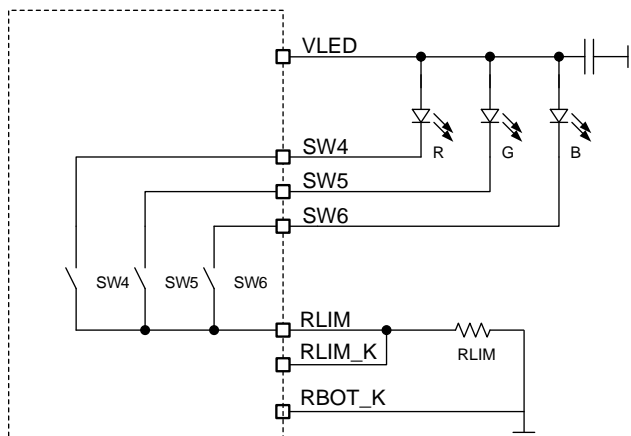


Figure 5. Switch Connection for a Common-Anode LED Assembly

Table 1. Switch Positions for Common Anode RGB LEDs (MAP = 0)

Common Anode				
LED_SEL[1:0]	SW6	SW5	SW4	IDAC Input
0x00h	Open	Open	Open	N/A
0x01h	Open	Open	Closed	SW4_IDAC[9:0]
0x02h	Open	Closed	Open	SW5_IDAC[9:0]
0x03h	Closed	Open	Open	SW6_IDAC[9:0]

The switching of the three NMOS switches is controlled such that switches are returned to the open position first before the closed connections are made (break before make). The dead time between opening and closing switches is controlled through the BBM register. Switches that already are in the closed position (and are to remain in the closed state according to the SWCNTRL register) are not opened during the BBM delay time.

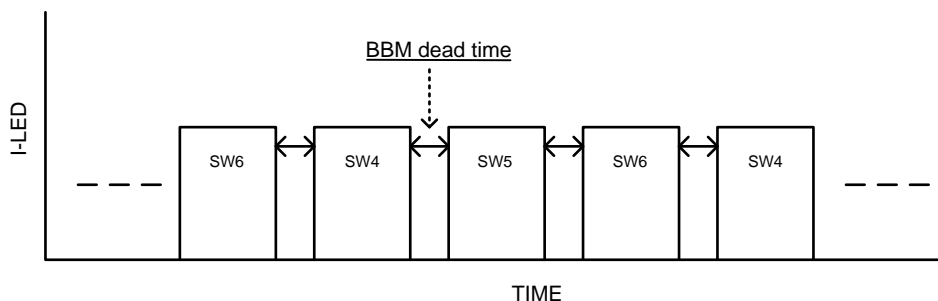


Figure 6. BBM Timing (See Register 0Bh in Table 20)

7.3.3 LED Current Control

DLPA2005 provides time-sequential circuitry to drive three LEDs with independent current control. A system based on a common anode LED configuration is shown in Figure 9 and consists of a buck-boost converter, which provides the voltage to drive the LEDs, three switches connected to the cathodes of the LEDs, an RLIM resistor used to sense the LED current, and a current DAC to control the LED current. The voltage measured at the pin V(RLIM\_K) is used by the regulator loop.

The STROBE DECODER controls the switch positions as described in the previous section (RGB Strobe Decoder). With all switches in the open position, the buck-boost output assumes an output voltage of 3.5 V.

For a common-anode RGB LED configuration, the buck-boost output voltage (VLED) assumes a value such that the voltage drop across the sense resistor equals

$$(SW4\_IDAC[9:0] \text{Ivalue} + I_{LED}) \times R_{LIM} \quad (1)$$

when SW4 is closed. The exact value of  $V_{LED}$  depends on the current setting and the voltage drop across the LED but is limited to 5.4 V. When the STROBE decoder switches from SW4 to SW5, the buck-boost assumes a new output voltage such that the sense voltage equals:

$$(SW5\_IDAC[9:0] \text{Ivalue} + I_{LED}) \times R_{LIM} \quad (2)$$

and finally when SW6 is selected.

$$(SW6\_IDAC[9:0] \text{Ivalue} + I_{LED}) \times R_{LIM} \quad (3)$$

### 7.3.4 Maximum Led Currents and Efficiency Considerations

The DLPA2005 comprises a buck-boost power converter to supply the appropriate  $V_{LED}$  to the LEDs. The maximum obtainable LED current for a given LED forward voltage are limited by three items:

- The inherent maximum LED current of the PAD2005, i.e. for DAC setting 03FFh.
- The maximum input current of about 4 A.
- The converter efficiency.
- Junction and ambient temperature

In the [Figure 2](#) graph the LED current versus DAC setting is given for several supply voltages ( $V_{IN}$ ). The load was configured for each supply case such that at the maximum attainable current  $V_{OUT \max} = 4.8$  V.

For the higher supply voltages  $V_{IN} > 4.5$  V the DAC current increases linearly up to the max setting of 3FFh. At that setting the  $I_{LED}$  is about 2.5 A. For  $V_{IN} = 2.3$  V and  $V_{IN} = 2.7$  V the LED current is typically limited to 0.9 A and 1.3 A, respectively. Main reason of this limitation is the maximum input current in combination with the limited converter efficiency. This can be understood by looking at the equation describing the power conversion:

$$V_{OUT} \cdot I_{OUT} = \eta_{eff} \cdot V_{IN} \cdot I_{IN}$$

This equation states that the output power of the converter is equal to the input power times the converter efficiency. As indicated above, the input current  $I_{IN}$  of the power converter is maximized to about 4A. The  $\eta_{eff}$  is the efficiency of the power converter, as described further down this section. For the lower input voltage the power converter runs as a boost converter.

( $V_{OUT} = 4.8$  V). Assuming 100% efficiency,  $V_{IN} = 2.3$  V,  $V_{OUT} = 4.8$  V and  $I_{IN \max} = 4$  A, the maximum attainable  $I_{LED}$  is:

$$I_{LED} = \frac{\eta_{eff} \cdot V_{IN} \cdot I_{IN}}{V_{OUT}} = \frac{1 \cdot 2.3V \cdot 4A}{4.8V} = 1.9A$$

For the power converter approaching the maximum input current, the efficiency can roll down significantly. As a result the maximum LED current for  $V_{IN} = 2.3$  V and  $V_{OUT} = 4.8$  V is about 0.9 A.

The efficiency of the power converter depends on the input supply voltage and the output loading, i.e. output voltage and output current. In the below graph efficiency curves as a function of the LED current are given for several input supply voltages. Again for each of these supply cases the load was controlled such that at maximum output current the output voltage was about 4.8 V.

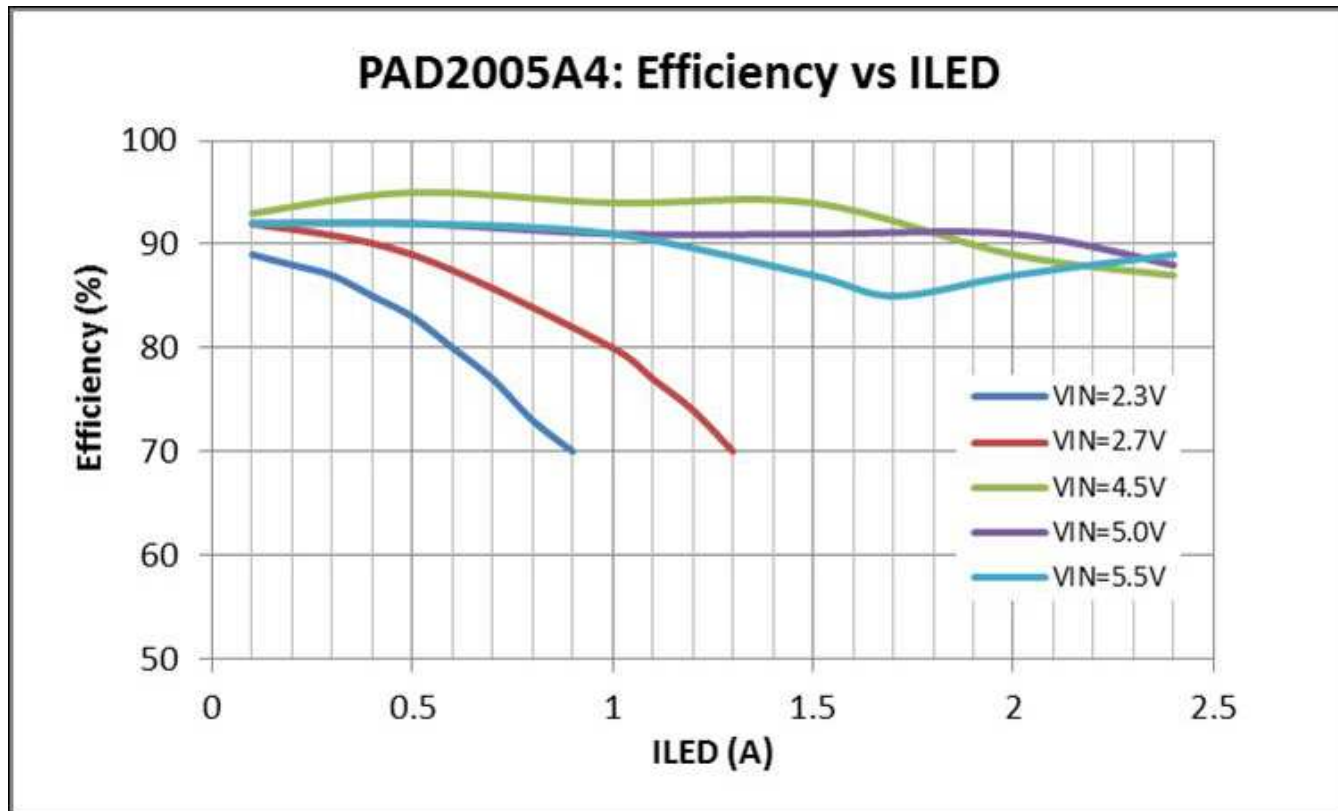


Figure 7. Measured Typical Power converter efficiency as a function of ILED for several supply voltages (VOUTmax=4.8V for each supply)

Note that in the measurement the output of the buck-boost regulator includes the voltage drop across the sense resistor RLIM, the voltage drop across the internal strobe control switch, and the forward voltage of the LED.

For higher input voltages the power converter runs at an efficiency of 85% or better. For the lower supply voltages because of the boost action, the efficiency quickly rolls down. Refer to section [Thermal Considerations](#) for information related to these efficiencies.

### 7.3.5 Calculating Inductor Peak Current

To properly configure the DLPA2005 device, a 2.2-μH inductor must be connected between pin L1 and pin L2. The peak current for the inductor in steady state operation can be calculated.

[Equation 4](#) shows how to calculate the peak current I<sub>1</sub> in step down mode operation, and [Equation 5](#) shows how to calculate the peak current I<sub>2</sub> in boost mode operation. V<sub>IN1</sub> is the maximum input voltage, V<sub>IN2</sub> is the minimum input voltage, f is the switching frequency (2.25 MHz), and L the inductor value (2.2 μH).

$$I_1 = \frac{I_{OUT}}{0.8} + \frac{V_{OUT}(V_{IN1} - V_{OUT})}{2 \times V_{IN1} \times f \times L} \tag{4}$$

$$I_2 = \frac{V_{OUT} \times I_{OUT}}{0.8 \times V_{IN2}} + \frac{V_{IN2}(V_{OUT} - V_{IN2})}{2 \times V_{OUT} \times f \times L} \tag{5}$$

The critical current value for selecting the right inductor is the higher value of I<sub>1</sub> and I<sub>2</sub>. Also consider that load transients and error conditions may cause higher inductor currents. This needs to be accounted for when selecting an appropriate inductor. Internally the switching current is limited to a maximum of 4 A.

### 7.3.6 LED Current Accuracy

The LED drive current is controlled by a current DAC (Digital to Analog Converter) and can be set independently for switch SW4, SW5 and SW6. For the DLPA2005, the DAC is trimmed at a current of 2528 mA at code: 0x3FFh, and the step size is 2.47 mA. First order gain-error of the DAC can be neglected, but an offset current error must be taken into account. This offset error differs depending on the used RLIM, and is  $\pm 100$  mA for the DLPA2005 using a current sense resistor of 39 m $\Omega$ .

The max current of the DLPA2005 (SWx\_IDAC[9:0] = 0x3FFh) is regulated to 2528 mA. At the lowest setting (SWx\_IDAC[9:0] = 0x029h) the current is regulated to 101 mA (DLPA2005). For this current setting (0x028h), the absolute current error results into a large relative error, however this is not a typical operating point.

For best accuracy of the LED current, take the below two considerations into account:

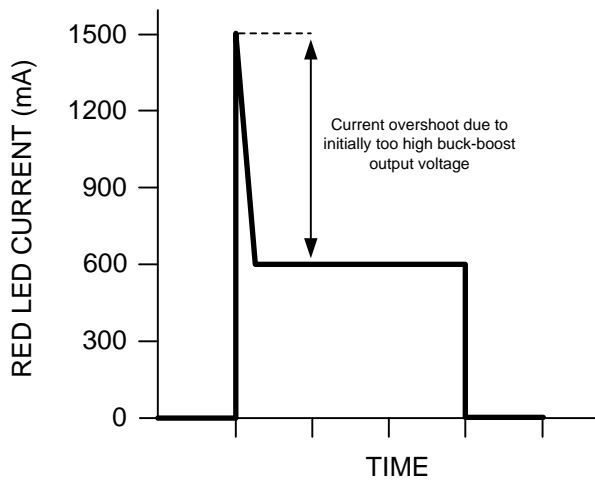
- The LED current setting does not only depend on the accuracy of the RLIM resistor but also strongly depends on the added resistance of pcb traces in the ground route of RLIM and the soldering quality. Due to the low value of the current sense resistor RLIM, any extra introduced resistance of e.g. several milliohms will result in a noticeable different LED current.
- Voltage sensing across RLIM is internally referred to the analog ground, i.e. pin 5 AGND1 and pin 20 GND. To prevent any voltage drop between the ground connection of RLIM and the AGND of the PAD2005, make a star connection of the RLIM ground near pin 5. Take care to make it a low ohmic route that can handle the high LED current. Subsequently, make the ground connection for pin 5 to the system ground low ohmic as well.

Taking the above measures relative to RLIM, the ILED current should align with the calculated value according to:

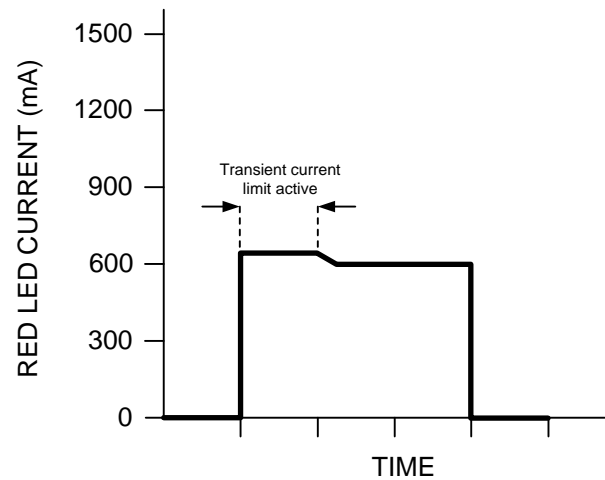
- $\text{Decimal\_Code\#} = (\text{set\_current} - \text{min\_current}) / \text{step\_current}$ .
- If needed translate the Decimal\_Code# to HEX code before entering in the control software.

### 7.3.7 Transient Current Limiting

Typically the forward voltages of the green and blue diodes are close to each other (about 3 to 4 V). However, the forward voltage of the red diode is significantly lower (1.8 to 2.5 V). This can lead to a current spike in the red diode when the strobe controller switches from green or blue to red because VLED is initially at a higher voltage than required to drive the RED diode. DLPA2005 provides transient current limiting for each switch to limit the current in the LEDs during the transition. The transient current limit value is controlled through the ILIM[3:0] bits in the IREG register. The same register also contains three bits to select which switch employs the transient current limiting feature. In a typical application, the transient current limit will only apply to the RED diode, and the ILIM[3:0] value will typically be set approximately 10% higher than the DC regulation current. The effect that the transient current limit has on the LED current is shown in [Figure 8](#).

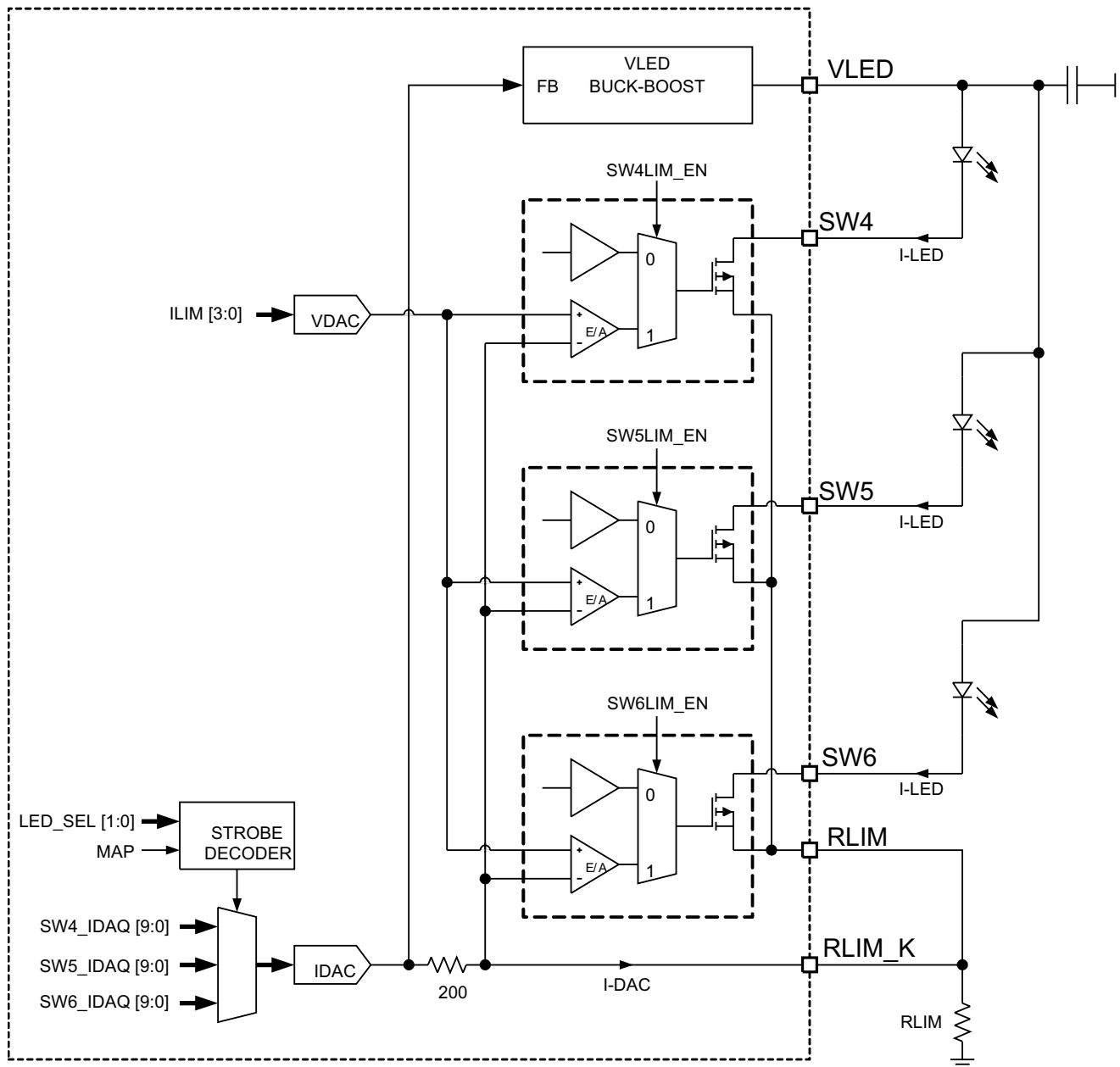


Red LED current without transient current limit. The current overshoots because the buck-boost voltage starts at the (higher) level of the green or blue LED.



LED current with transient current limit.

**Figure 8. RED LED Current With and Without Transient Current Limit**


**Figure 9. LED Driver Block Diagram**

### 7.3.8 1.1-V Regulator (Buck Converter)

The buck converter creates a voltage of 1.1 V, and due to its switching nature, an output ripple with a frequency of approximately 2.25 MHz occurs on its output. This ripple is strongly dependent on the decoupling capacitor at the output in combination with the inductor. The magnitude of the ripple can be calculated with [Equation 6](#).

$$\Delta V_{\text{CORE}} = V_{\text{CORE}} \times \frac{1 - \frac{V_{\text{CORE}}}{V_{\text{INC}}}}{L \times f} \times \left( \frac{1}{8 \times C_{\text{OUT}} \times f} + \text{ESR} \right) \quad (6)$$

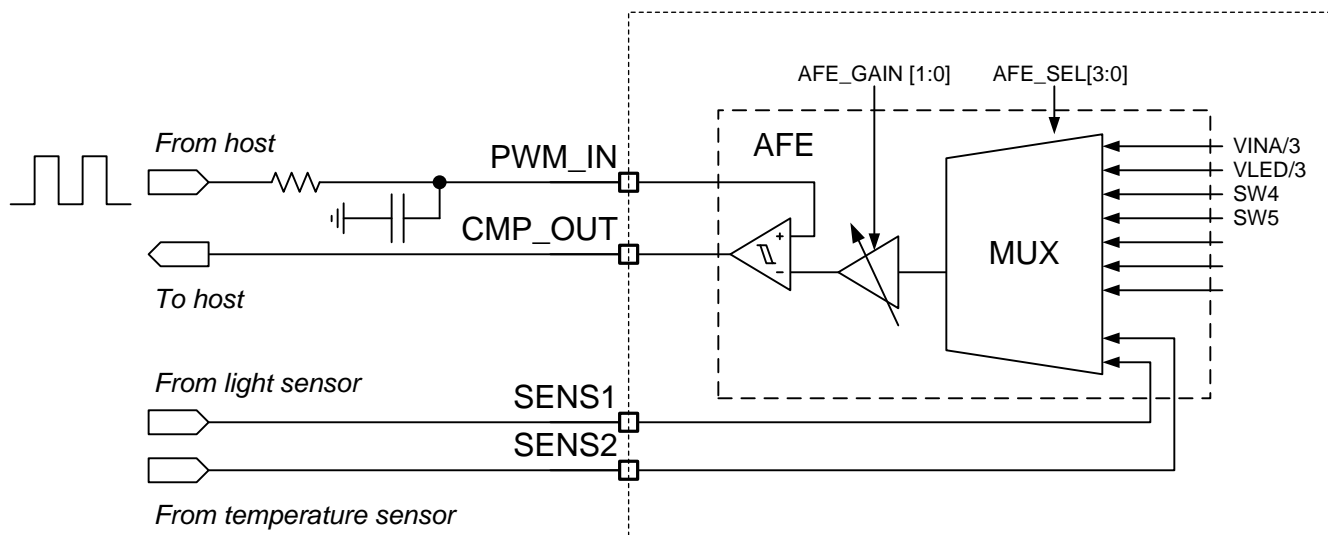
The best way to minimize this ripple is to select a capacitor with a very-low ESR.

### 7.3.9 Measurement System

The measurement system is composed of a 10:1 analog multiplexer (MUX), a programmable-gain amplifier, and a comparator. It works together with the DPP processor to provide:

- White-point correction (WPC) by independently adjusting the RGB LED currents after measuring the brightness of each color with an external light sensor
- A measurement of the:
  - Battery voltage
  - LED forward voltage
  - Exact LED current
  - Temperature as derived by measuring the voltage across an external thermistor

Figure 10 shows a block diagram of the measurement system.



**Figure 10. Block Diagram of the Measurement System**

**Table 2. Recommended Configuration of the AFE for Different Input Selections**

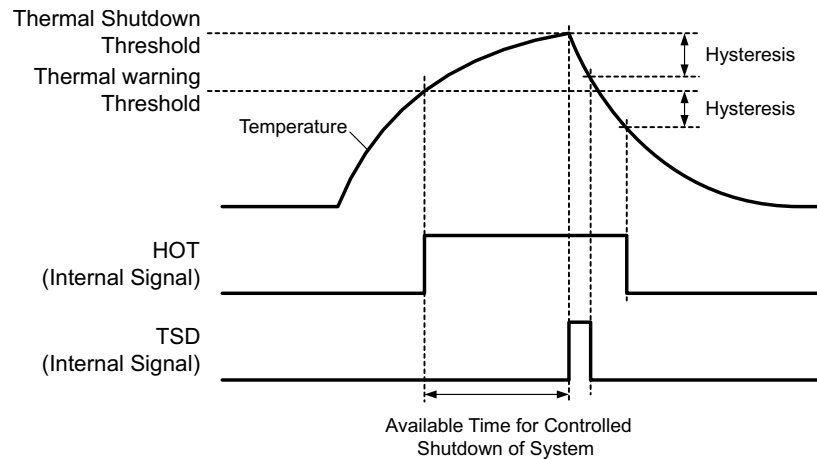
AFE_SEL[3:0]	SELECTED INPUT	RECOMMENDED GAIN SETTING AFE-GAIN[1:0]	RECOMMENDED SETTING OF AFE_CAL_DIS BIT
0x00h	SENS2	0x01h (1x)	Setting has no effect on measurement
0x01h	VLED	0x01h (1x)	Setting has no effect on measurement
0x02h	VINA	0x01h (1x)	Setting has no effect on measurement
0x03h	SENS1	0x01h (1x)	Setting has no effect on measurement
0x04h	RLIM_K	0x03h (18x)	Set to 1 if sense voltage is >100 mV. Otherwise set to 0 (default)
0x05h	SW4	0x02h (9.5x)	Set to 1 if sense voltage is >200 mV. Otherwise set to 0 (default)
0x06h	SW5	0x02h (9.5x)	Set to 1 if sense voltage is >200 mV. Otherwise set to 0 (default)
0x07h	SW6	0x02h (9.5x)	Set to 1 if sense voltage is >200 mV. Otherwise set to 0 (default)
0x08h	No connect	N/A	N/A
0x09h	VREF	0x01h (1x)	Setting has no effect on measurement

### 7.3.10 Protection Circuits

DLPA2005 has several protection circuits to protect the IC and system from damage due to excessive power consumption, die temperature, or over-voltages. These circuits are described in the following sections.

#### 7.3.10.1 Thermal Warning (HOT) and Thermal Shutdown (TSD)

DLPA2005 continuously monitors the junction temperature and issues a HOT interrupt if temperature exceeds the HOT threshold. If the temperature continues to increase above the thermal shutdown threshold, all rails are disabled and the TSD bit in the INT register is set. After the temperature drops below its threshold, the system recovers and waits for the DPP to resend the DMD\_EN bit.



**Figure 11. Definition of the Thermal Shutdown and Hot-Die Temperature Warning**

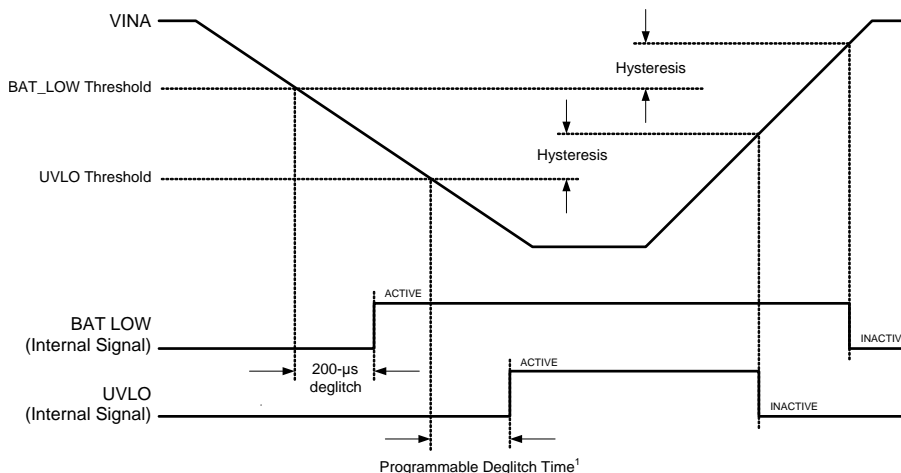
#### 7.3.10.2 Low Battery Warning (BAT\_LOW) and Undervoltage Lockout (UVLO)

If the battery voltage drops below the BAT\_LOW threshold (typically 3 V) the BAT\_LOW interrupt is issued, but normal operation continues. After the battery drops below the undervoltage threshold which has a default hardcoded value of 2.3 V (this UVLO voltage can be changed through register 09 h from 2.3 to 4.5 V), the UVLO interrupt is issued, all rails are powered down in sequence, the DMD\_EN bit is reset, and the part enters STANDBY mode. The power rails cannot be re-enabled before the input voltage recovers to >2.4 V. To re-enable the rails, the PROJ\_ON pin must be toggled. The undervoltage threshold is programmable from 2.3 to 4.5 V in 31 steps.

The UVLO shutdown process will protect the DMD by allowing time for the mirrors to park, then doing a fast discharge of VOFS, VRST, and VBIAS. This protection occurs even in the case of sudden battery removal from the projector, as long as the bulk capacitance on the battery voltage (VINx) keeps this voltage above 2.3 V for as long as needed for VOFS, VRST, and VBIAS to discharge to the required safe levels as shown in the DMD data sheet. VOFS, VRST, and VBIAS discharge times depend on the load capacitance on each regulator. When for instance every supply is decoupled using a capacitor of 0.5  $\mu$ F, VINx should stay above 2.3 V for at least 100  $\mu$ s after the battery is suddenly removed. During this time, the mirrors can be placed in a safe position and VOFS, VRST, and VBIAS can be discharged.

#### NOTE

Capacitive loads should be such that LS\_OUT stays above 1.65 V until VOFS, VRST, and VBIAS have discharged to their required safe levels.



(1) This time is programmable from 0 to 100  $\mu$ s

**Figure 12. UVLO is Asserted When the Input Supply Drops Below the UVLO Threshold**

### 7.3.10.3 DMD Regulator Fault (DMD\_FLT)

The DMD regulator is continuously monitored to check if the output rails are in regulation and if the inductor current increases as expected during a switching cycle. If either one of the output rails drops out of regulation (for example, due to a shorted output) or the inductor current does not increase as expected during a switching cycle (due to a disconnected inductor), the DMD\_FLT interrupt bit is set in the INT register, the DMD\_EN bit is reset, and the DMD regulator is shut down. Resetting the DMD\_EN bit also causes the LED driver to power down. To restart the system, the PROJ\_ON pin must be toggled. In case the interrupt is masked, it is sufficient to set the DMD\_EN bit to restart the system.

### 7.3.10.4 V6V Power-Good (V6V\_PGF) Fault

The LED driver regulation loop requires the V6V rail for proper operation. The rail is continuously monitored and should the output drop below the power-good threshold, the V6V\_PGF bit is set. The VLED buck-boost is then disabled and attempts to restart automatically.

### 7.3.10.5 VLED Overvoltage (VLED\_OVP) Fault

If the buck-boost output voltage rises above 5.4 V, the VLED\_OVP interrupt is set but the buck-boost regulator is not turned off. A typical condition to cause this fault is an open LED.

### 7.3.10.6 VLED Power Save Mode

In normal PWM operation, the efficiency of the VLED buck-boost converter dramatically reduces for LED currents below 100 mA. In this case, the power save mode allows high converting efficiency at low output currents by skipping pulses in the switcher's gate driver control.

### 7.3.10.7 V1V8 PG Failure

If for any reason the voltage on the LS\_OUT drops below approximately 1.3 V, then VOFS, VBIAS, and VRST immediately go into fast shut down. Holding off power down to do mirror parking is not included since 1.3 V is too low to wait for this. Reactivating can only be done by toggling the PROJ\_ON off and on again.

### 7.3.10.8 Interrupt Pin (INTZ)

Use the interrupt pin to signal events and fault conditions to the host processor. Whenever a fault or event occurs in the IC, the corresponding interrupt bit is set in the INT register, and the open-drain output is pulled low. The INTZ pin is released (returns to HiZ state) and fault bits are cleared when the INT register is read by the host.

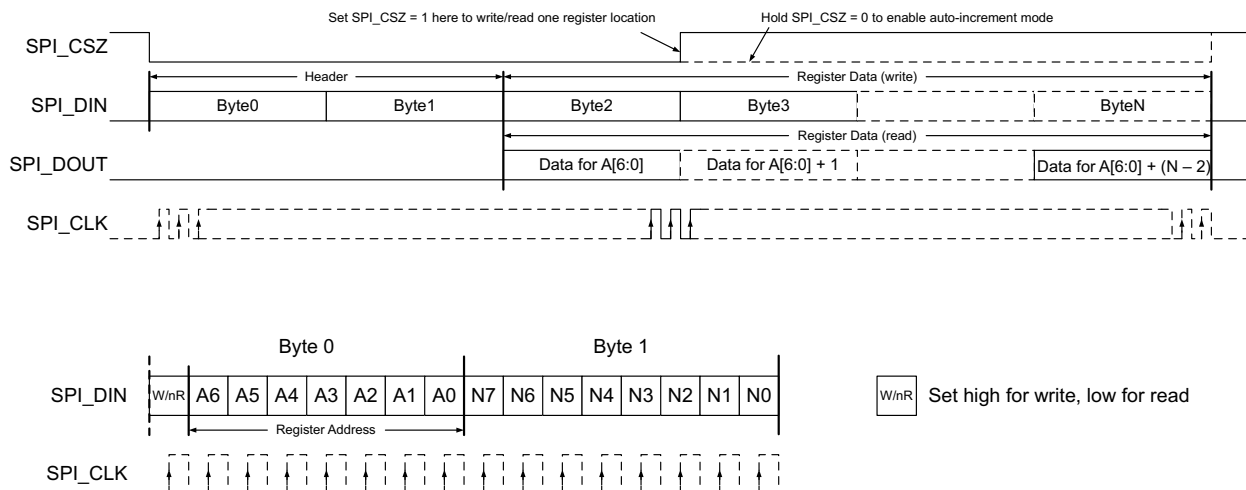
However, if a failure persists, the corresponding INT bit remains set and the INTZ pin is pulled low again after a maximum of 32  $\mu$ s.

Interrupt events include fault conditions such as power-good faults, over-voltage, over-temperature shutdown, and UVLO. For all interrupt conditions see the interrupt register on [Table 22](#).

The MASK register is used to mask events from generating interrupts, that is, from pulling the INTZ pin low. The MASK settings affect the INTZ pin only and have no impact on protection and monitor circuits themselves. When an interrupt is masked, the event causing the interrupt still sets the corresponding bit in the INT register. However, it does not pull the INTZ pin low.

### 7.3.10.9 SPI

DLPA2005 provides a 4-wire SPI port that supports high-speed serial data transfers up to 33.3 MHz. Support includes register and data buffer write and read operations. The SPI\_CSZ input serves as the active low chip select for the SPI port. The SPI\_CSZ input must be forced low in order to write or read registers and data buffers. When SPI\_CSZ is forced high, the data at the SPI\_DIN input is ignored, and the SPI\_DOUT output is forced to a high-impedance state. The SPI\_DIN input serves as the serial data input for the port; the SPI\_DOUT output serves as the serial data output. The SPI\_CLK input serves as the serial data clock for both the input and output data. Data is latched at the SPI\_DIN input on the rising edge of SPI\_CLK, while data is clocked out of the SPI\_DOUT output on the falling edge of SPI\_CLK. [Figure 13](#) illustrates the SPI port protocol. Byte 0 is referred to as the command byte, where the most significant bit is the write/not read bit. For the W/nR bit, a 1 indicates a write operation, while a 0 indicates a read operation. The remaining seven bits of the command byte are the register address targeted by the write or read operation. The SPI port supports write and read operations for multiple sequential register addresses through the implementation of an auto-increment mode. As shown in [Figure 13](#), the auto-increment mode is invoked by simply holding the SPI\_CSZ input low for multiple data bytes. The register address is automatically incremented after each data byte transferred, starting with the address specified by the command byte. After reaching address 0x7Fh the address pointer jumps back to 0x00h.



**Figure 13. SPI Protocol**

### 7.3.11 Password Protected Registers

Register addresses 0x11h through 0x27h can be read-accessed the same way as any other register, but are protected against accidental write operations through the PASSWORD register (address 0x10h). To write to a protected register, follow these steps:

1. Write data 0xBAh to register address 0x10h.
2. Write data 0xBEh to register address 0x10h.

Both writes must be consecutive, that is, there must be no other read or write operation in between sending the two bytes. After the password has been successfully written, registers 0x11h through 0x27h are unlocked and can be write accessed using the regular SPI protocol. They remain unlocked until any byte other than 0xBAh is written to the PASSWORD register or the part is power cycled.

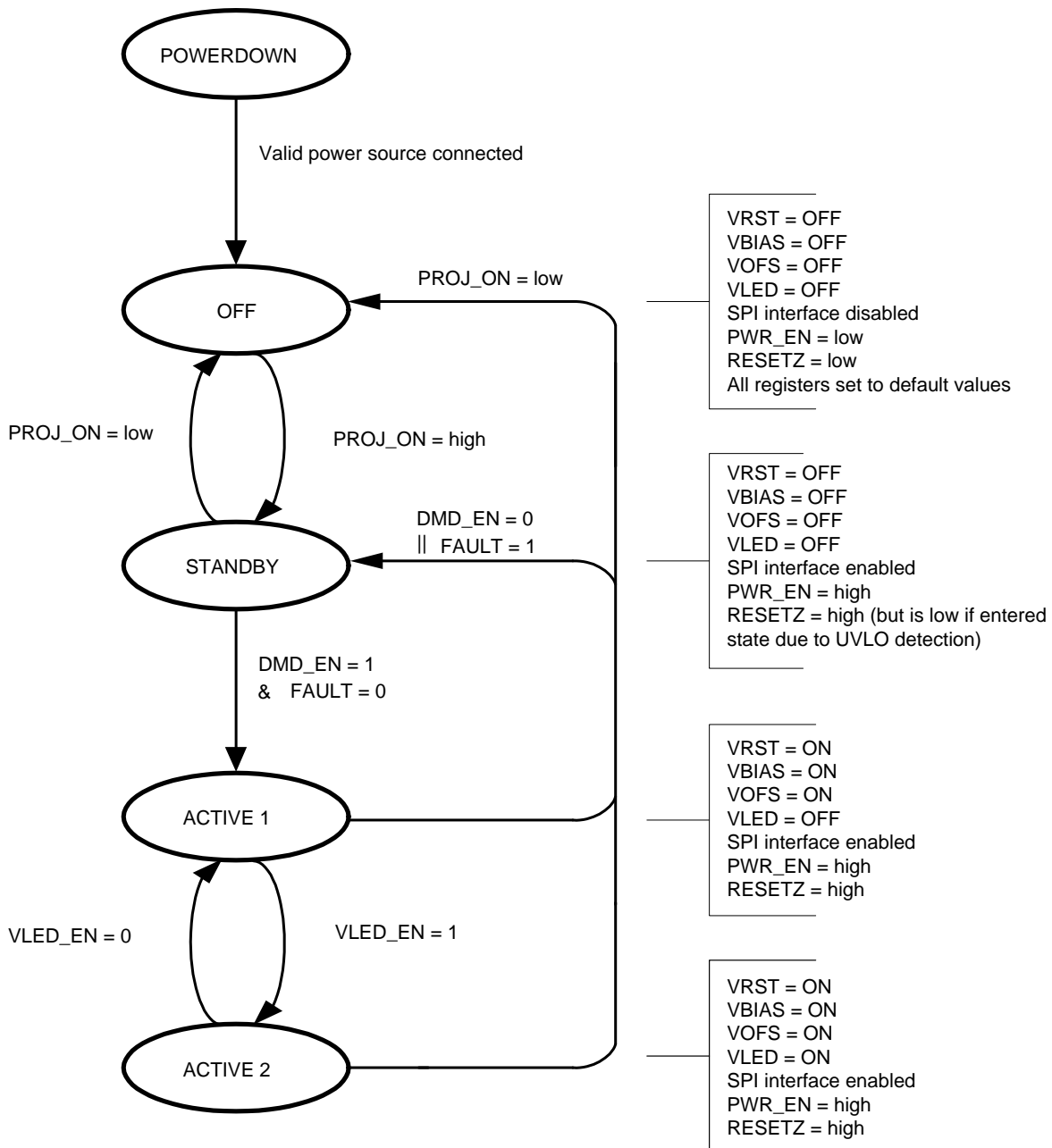
To check if the registers are unlocked, read back the PASSWORD register. If the data returned is 0x00h, the registers are locked. If the PASSWORD register returns 0x01h, the registers are unlocked.

## 7.4 Device Functional Modes

### MODES OF OPERATION

- OFF** This is the lowest-power mode of operation. All power functions are turned off, registers are reset to their default values and the IC does not respond to SPI commands. RESETZ pin is pulled low. The IC will enter OFF mode whenever the PROJ\_ON pin is low.
- STANDBY** The DMD regulators and LED power (VLED) are turned off, but the IC does respond to the SPI interface. The device enters STANDBY mode whenever PROJ\_ON is set high or DMD\_EN7 bit is set to 0 using the SPI interface after PROJ\_ON is already high. The device also enters STANDBY mode when a fault condition is detected<sup>8</sup>. (see the section about Protection Circuits on pages 28 & 30)
- ACTIVE1** The DMD supplies are enabled but LED power (VLED) is disabled. PROJ\_ON pin must be high, DMD\_EN bit must be set to 1, and VLED\_EN9 bit is set to 0.
- ACTIVE2** DMD supplies and LED power are enabled. PROJ\_ON pin must be high and DMD\_EN and VLED\_EN bits must both be set to 1.

Device Functional Modes (continued)



- A. || = OR , & = AND
- B. FAULT = Undervoltage on any supply (except LS\_OUT), thermal shutdown, or UVLO detection
- C. UVLO detection, per the diagram, causes the DLPA2005 to go into the standby state. This is not the lowest power state. If lower power is desired, PROJ\_ON should be set low.
- D. DMD\_EN register bit can be reset or set by SPI writes. DMD\_EN defaults to 0 when PROJ\_ON goes from low to high and then the DPP ASIC software automatically sets it to 1. Also, FAULT = 1 causes the DMD\_EN register bit to be reset.
- E. PWR\_EN is a signal internal to the DLPA2005. This signal turns on the VCORE regulator and the load switch that drives pin LS\_OUT

Figure 14. State Diagram

**Table 3. Device State as a Function of Control-Pin Status**

PROJ_ON Pin	STATE
LOW	OFF
HIGH	STANDBY ACTIVE1 ACTIVE2 (Device state depends on DMD_EN and VLED_EN bits and whether there are any fault conditions.)

**Table 4. Modes of Operation**

Mode	Description
OFF	This is the lowest-power mode of operation. All power functions are turned off, registers are reset to their default values, and the IC does not respond to SPI commands. RESETZ pin is pulled low. The IC will enter OFF mode whenever the PROJ_ON pin is low.
STANDBY	The DMD regulators and LED power (VLED) are turned off, but the IC does respond to the SPI. The device enters STANDBY mode whenever PROJ_ON is set high or DMD_EN <sup>(1)</sup> bit is set to 0 using the SPI interface after PROJ_ON is already high. The device also enters STANDBY mode when a fault condition is detected <sup>(2)</sup> . (See <a href="#">Protection Circuits</a> .)
ACTIVE1	The DMD supplies are enabled but LED power (VLED) is disabled. PROJ_ON pin must be high, DMD_EN bit must be set to 1, and VLED_EN <sup>(3)</sup> bit is set to 0.
ACTIVE2	DMD supplies and LED power are enabled. PROJ_ON pin must be high and DMD_EN and VLED_EN bits must both be set to 1.

(1) Settings can be done through Reg01h [9] and Reg2E [119]

(2) Power-good faults, over-voltage, overtemperature shutdown, and undervoltage lockout

(3) Settings can be done through Reg47h [60], bit is named VLED\_EN\_SET

## 7.5 Register Maps

**Table 5. Register Description**

Register	Address (Hex)	Name	Table	Description	Default
<b>USER CONFIGURATION DEFINITIONS</b>					
R	0x00	CHIP ID	<a href="#">Table 6</a>	Chip Revision Register; DLPA2005	C4
R/W	0x01	CHIPENABLE	<a href="#">Table 7</a>	Enable Register	0F
R/W	0x02	IREG	<a href="#">Table 8</a>	Transient-current limit settings	30
R/W	0x03	SW4MSB	<a href="#">Table 9</a>	Regulation current MSB, SW4	0
R/W	0x04	SW4LSB	<a href="#">Table 10, Table 11</a>	Regulation current LSB, SW4	0
R/W	0x05	SW5MSB	<a href="#">Table 12</a>	Regulation current MSB, SW5	0
R/W	0x06	SW5LSB	<a href="#">Table 13, Table 14</a>	Regulation current LSB, SW5	0
R/W	0x07	SW6MSB	<a href="#">Table 15</a>	Regulation current MSB, SW6	0
R/W	0x08	SW6LSB	<a href="#">Table 16, Table 17</a>	Regulation current LSB, SW6	0
R/W	0x09	SWCNTRL	<a href="#">Table 18</a>	Switch ON/OFF control (direct mode)	0
R/W	0x0A	AFE	<a href="#">Table 19</a>	AFE (MUX) control	0
R/W	0x0B	BBM	<a href="#">Table 20, Table 21</a>	Break Before Make timing	0
R	0x0C	INT	<a href="#">Table 22, Table 23</a>	Interrupt register	0
R/W	0x0D	INT MASK	<a href="#">Table 24, Table 25</a>	Interrupt Mask register	DFh
R/W	0x0E	TIMING	<a href="#">Table 26, Table 27</a>	Timing register VOFS, VBIAS, VRST, and RESETZ	7
<b>USER PROTECTED DEFINITION</b>					
R/W	0x10	PASSWORD	<a href="#">Table 28</a>	Password register	0
R/W	0x11	SYSTEM	<a href="#">Table 29</a>	System Configuration register	0
<b>USER EEPROM SCRATCH PAD DEFINITION</b>					
R/W	0x20	BYTE0	<a href="#">Table 31</a>	User EEPROM, Byte0	0

**Register Maps (continued)**
**Table 5. Register Description (continued)**

Register	Address (Hex)	Name	Table	Description	Default
R/W	0x21	BYTE1	<a href="#">Table 32</a>	User EEPROM, Byte1	0
R/W	0x22	BYTE2	<a href="#">Table 33</a>	User EEPROM, Byte2	0
R/W	0x23	BYTE3	<a href="#">Table 34</a>	User EEPROM, Byte3	0
R/W	0x24	BYTE4	<a href="#">Table 35</a>	User EEPROM, Byte4	0
R/W	0x25	BYTE5	<a href="#">Table 36</a>	User EEPROM, Byte5	0
R/W	0x26	BYTE6	<a href="#">Table 37</a>	User EEPROM, Byte6	0
R/W	0x27	BYTE7	<a href="#">Table 38</a>	User EEPROM, Byte7	0

**Table 6. Chip Revision Register**

Register = 00h									
DATA BIT	D7	D6	D5	D4	D3	D2	D1	D0	HEX
FIELD NAME	CHIP ID [7:0]								
READ/WRITE	R	R	R	R	R	R	R	R	
RESET VALUE DLPA2005	1	1	0	0	0	1	0	0	C4
<b>FIELD NAME</b>	<b>Bit</b>	<b>Bit Definition</b>							
CHIP ID	[7:0]	7:4		CHIPID<3:0>					
		3:0		REVID<3:0>					

**Table 7. Enable Register**

Register = 01h									
DATA BIT	D7	D6	D5	D4	D3	D2	D1	D0	HEX
FIELD NAME	CHIPENABLE [15:8]								
READ/WRITE	R/W	R/W	R/W	R/W	R/W	R/W	R/W	R/W	
RESET VALUE	0	0	0	0	1	1	1	1	0F
<b>FIELD NAME</b>	<b>Bit</b>	<b>Bit Definition</b>							
CHIPENABLE	[15:8]	15:12		USER_GPO<3:0>					
		11		VLED_POWER_SAVE_MODE_DIS Power save mode is used to improve efficiency at light load.					
		10		FAST_SHUTDOWN_EN Applicable only during a fault condition. Shutdown timing is defined by register 0Eh. (see <a href="#">Figure 5</a> )					
		9		DMD_EN					
		8		VLED_EN					

**Table 8. Transient-Current Limit Settings**

Register = 02h									
Data Bit	D7	D6	D5	D4	D3	D2	D1	D0	HEX
Field Name	IREG [23:16]								
Read/Write	R/W	R/W	R/W	R/W	R/W	R/W	R/W	R/W	
Reset Value	0	0	1	1	0	0	0	0	30
FIELD NAME	Bit	Bit Definition							
Not used		23		TBD					
IREG [3:0]	[23:16]	22:19	IREG_ILIM<3:0>		Rlim = 39 mΩ				
			0000		333 mA				
			0001		385 mA				
			0010		442 mA				
			0011		494 mA				
			0100		564 mA				
			0101		705 mA				
			0110		846 mA				
			0111		1128 mA				
			1000		1410 mA				
			1001		1692 mA				
			1010		1974 mA				
			1011		2256 mA				
			1100		2538 mA				
1101		2974 mA							
1110		3410 mA							
1111		3846 mA							
SW6LIM_EN		18	SW6LIM_EN Transient current-limit enable for SW6 0 – Transient current-limit is disabled 1 – Transient current-limit is enabled						
SW5LIM_EN		17	SW5LIM_EN Transient current-limit enable for SW5 0 – Transient current-limit is disabled 1 – Transient current-limit is enabled						
SW4LIM_EN		16	SW4LIM_EN Transient current-limit enable for SW4 0 – Transient current-limit is disabled 1 – Transient current-limit is enabled						

**Table 9. Regulation Current MSB, SW4<sup>(1)</sup>**

Register = 03h									
DATA BIT	D7	D6	D5	D4	D3	D2	D1	D0	HEX
FIELD NAME	SW4MSB [31:24]								
READ/WRITE	R/W	R/W	R/W	R/W	R/W	R/W	R/W	R/W	
RESET VALUE	0	0	0	0	0	0	0	0	00
FIELD NAME	Bit	Bit Definition							
SW4MSB	[31:24]	31:26		TBD					
		25:24		SW4_IDAC<9:8>					

(1) The DLPA2005 can use up to code 0x3ffh for SW4\_IDAC[9:0].

**Table 10. Regulation Current LSB, SW4**

Register = 04h									
DATA BIT	D7	D6	D5	D4	D3	D2	D1	D0	HEX
FIELD NAME	SW4LSB [39:32]								
READ/WRITE	R/W	R/W	R/W	R/W	R/W	R/W	R/W	R/W	
RESET VALUE	0	0	0	0	0	0	0	0	00
FIELD NAME	Bit	Bit Definition							
SW4LSB	[39:32]	39:32		SW4_IDAC<7:0>					

**Table 11. Regulation Current LSB, SW4 Bit Definitions**

DLPA2005 <sup>(1)</sup> <sup>(2)</sup>							
SW4_IDAC[9:0]	LED CURRENT	SW4_IDAC[9:0]	LED CURRENT	SW4_IDAC[9:0]	LED CURRENT	SW4_IDAC[9:0]	LED CURRENT
0x000h	0 mA	0x100h	633 mA	0x200h	1265 mA	0x300h	1898 mA
0x029h	101 mA	0x101h	635 mA	0x201h	1268 mA	0x301h	1900 mA
0x02Ah	104 mA	0x102h	638 mA	0x202h	1270 mA	0x302h	1903 mA
...	...	...	...	...	...	...	...
0x0FEh	628 mA	0x1FEh	1260 mA	0x2FEh	1893 mA	0x3FEh	2526 mA
0x0FFh	630 mA	0x1FFh	1263 mA	0x2FFh	1895 mA	0x3FFh	2528 mA

(1) Values shown are for a typical DLPA2005 unit at T = 25°C. Typical step size is 2.47 mA for R<sub>LIM</sub> = 39 mΩ

(2) The DLPA2005 can use up to code 0x3FFh for SW4\_IDAC[9:0].

**Table 12. Regulation Current MSB, SW5<sup>(1)</sup>**

Register = 05h									
DATA BIT	D7	D6	D5	D4	D3	D2	D1	D0	HEX
FIELD NAME	SW5MSB [47:40]								
READ/WRITE	R/W	R/W	R/W	R/W	R/W	R/W	R/W	R/W	
RESET VALUE	0	0	0	0	0	0	0	0	00
FIELD NAME	Bit	Bit Definition							
SW5MSB	[47:40]	47:42		TBD					
		41:40		SW5_IDAC<9:8>					

(1) The DLPA2005 can use up to code 0x3FFh for SW5\_IDAC[9:0].

**Table 13. Regulation Current LSB, SW5**

Register = 06h									
DATA BIT	D7	D6	D5	D4	D3	D2	D1	D0	HEX
FIELD NAME	SW5LSB [55:48]								
READ/WRITE	R/W	R/W	R/W	R/W	R/W	R/W	R/W	R/W	
RESET VALUE	0	0	0	0	0	0	0	0	00
FIELD NAME	Bit	Bit Definition							
SW5LSB	[55:48]	55:48		SW5_IDAC<7:0>					

**Table 14. Regulation Current LSB, SW5 Bit Definitions**

DLPA2005 <sup>(1)</sup> <sup>(2)</sup>							
SW5_IDAC[9:0]	LED CURRENT	SW5_IDAC[9:0]	LED CURRENT	SW5_IDAC[9:0]	LED CURRENT	SW5_IDAC[9:0]	LED CURRENT
0x000h	0 mA	0x100h	633 mA	0x200h	1265 mA	0x300h	1898 mA
0x029Ch	101 mA	0x101h	635 mA	0x201h	1268 mA	0x301h	1900 mA
0x02Ah	104 mA	0x102h	638 mA	0x202h	1270 mA	0x302h	1903 mA
...	...	...	...	...	...	...	...
0x0FEh	628 mA	0x1FEh	1260 mA	0x2FEh	1893 mA	0x3FEh	2526 mA
0x0FFh	630 mA	0x1FFh	1263 mA	0x2FFh	1895 mA	0x3FFh	2528 mA

(1) Values shown are for a typical DLPA2005 unit at T = 25°C. Typical step size is 2.47 mA for R<sub>LIM</sub> = 39 mΩ

(2) The DLPA2005 can use up to code 0x3FFh for SW5\_IDAC[9:0].

**Table 15. Regulation Current MSB, SW6<sup>(1)</sup>**

Register = 07h									
DATA BIT	D7	D6	D5	D4	D3	D2	D1	D0	HEX
FIELD NAME	SW6MSB [63:56]								
READ/WRITE	R/W	R/W	R/W	R/W	R/W	R/W	R/W	R/W	
RESET VALUE	0	0	0	0	0	0	0	0	00
FIELD NAME	Bit	Bit Definition							
SW6MSB	[63:56]	63:58		TBD					
		57:56		SW6_IDAC<9:8>					

(1) The DLPA2005 can use up to code 0x3FFh for SW6\_IDAC[9:0].

**Table 16. Regulation Current LSB, SW6**

Register = 08h									
DATA BIT	D7	D6	D5	D4	D3	D2	D1	D0	HEX
FIELD NAME	SW6LSB [71:64]								
READ/WRITE	R/W	R/W	R/W	R/W	R/W	R/W	R/W	R/W	
RESET VALUE	0	0	0	0	0	0	0	0	00
FIELD NAME	Bit	Bit Definition							
SW6LSB	[71:64]	71:64		SW6_IDAC<7:0>					

**Table 17. Regulation Current LSB, SW6 Bit Definitions**

DLPA2005 <sup>(1)</sup> <sup>(2)</sup>							
SW6_IDAC[9:0]	LED CURRENT	SW6_IDAC[9:0]	LED CURRENT	SW6_IDAC[9:0]	LED CURRENT	SW6_IDAC[9:0]	LED CURRENT
0x000h	0 mA	0x100h	633 mA	0x200h	1265 mA	0x300h	1898 mA
0x029h	101 mA	0x101h	635 mA	0x201h	1268 mA	0x301h	1900 mA
0x02Ah	104 mA	0x102h	638 mA	0x202h	1270 mA	0x302h	1903 mA
...	...	...	...	...	...	...	...
0x0FEh	628 mA	0x1 FEh	1260 mA	0x2FEh	1893 mA	0x3FEh	2526 mA
0x0FFh	630 mA	0x1 FFh	1263 mA	0x2FFh	1895 mA	0x3FFh	2528 mA

(1) Values shown are for a typical DLPA2005 unit at T = 25°C. Typical step size is 2.47 mA for R<sub>LIM</sub> = 39 mΩ

(2) The DLPA2005 can use up to code 0x3FFh for SW6\_IDAC[9:0].

**Table 18. Switch On/Off Control (Direct Mode)**

Register = 09h									
DATA BIT	D7	D6	D5	D4	D3	D2	D1	D0	HEX
FIELD NAME	SWCNTRL [79:72]								
READ/WRITE	R/W	R/W	R/W	R/W	R/W	R/W	R/W	R/W	
RESET VALUE	0	0	0	0	0	0	0	0	00
FIELD NAME	Bit	Bit Definition							
SWCNTRL	[79:72]	79	SW6 (controls switch 6 if direct mode (see reg 11h) is enabled)						
		78	SW5 (controls switch 5 if direct mode (see reg 11h) is enabled)						
		77	SW4 (controls switch 4 if direct mode (see reg 11h) is enabled)						
		76:72	UVLO_TRIM<4:0>						
				00000	2.3 V (minimum value – default value)				
				00001	2.37 V				
				.....	Step approximately 70 mV				
				11110	4.43 V				
				11111	4.5 V (maximum value)				

**Table 19. AFE (MUX) Control**

Register = 0Ah									
DATA BIT	D7	D6	D5	D4	D3	D2	D1	D0	HEX
FIELD NAME	AFE [87:80]								
READ/WRITE	R/W	R/W	R/W	R/W	R/W	R/W	R/W	R/W	
RESET VALUE	0	0	0	0	0	0	0	0	00
FIELD NAME	Bit	Bit Definition							
AFE	[87:80]	87	AFE_EN						
		86	AFE_CAL_DIS						
		85:84	AFE_GAIN<1:0>						
		83:80	AFE_SEL<3:0>						

**Table 20. Break Before Make (BBM) Timing**

Register = 0Bh									
DATA BIT	D7	D6	D5	D4	D3	D2	D1	D0	HEX
FIELD NAME	BBM [95:88]								
READ/WRITE	R/W	R/W	R/W	R/W	R/W	R/W	R/W	R/W	
RESET VALUE	0	0	0	0	0	0	0	0	00

**Table 21. Break Before Make (BBM) Timing Bit Definitions<sup>(1)</sup>**

FIELD NAME	Bit	Bit Definition							
BBM	[95:88]	95:88	BBM_DELAY<7:0>						
			0x00 – 0 ns	0x40 – 7326 ns	0x80 – 14430 ns	0xC0 – 21534 ns			
			0x01 – 333 ns	0x41 – 7437 ns	0x81 – 14541 ns	0xC1 – 21645 ns			
			0x02 – 444 ns	0x42 – 7548 ns	0x82 – 14652 ns	0xC2 – 21756 ns			
			...	...	...	...			
			0x3E – 7104 ns	0x7E – 14208 ns	0xBE – 21312 ns	0xFE – 28416 ns			
			0x3F – 7215 ns	0x7F – 14319 ns	0xBF – 21423 ns	0xFF – 28527 ns			

(1) It takes 333 to 444 ns to turn off the switches from the time a change occurs on LED\_SEL[1:0].

**Table 22. Interrupt Register**

Register = 0Ch									
DATA BIT	D7	D6	D5	D4	D3	D2	D1	D0	HEX
FIELD NAME	INT [103:96]								
READ/WRITE	R	R	R	R	R	R	R	R	
RESET VALUE	0	0	0	0	0	0	0	0	00

**Table 23. Interrupt Register Bit Definitions**

FIELD NAME	Bit	Bit Definition	
INT	[103:96]	103	VLED_OVP VLED buck_boost overvoltage fault interrupt (normal operation resumes) 0 – No fault 1 – Buck_boost output is above OVP threshold
		102	IREG_PG_FAULT V6V power-good fault interrupt (normal operation resumes) 0 – No fault 1 – V6V is not in regulation
		101	PROJ_ON_INT Proj_On interrupt (part enters OFF mode) 0 – Pin is pulled high, normal mode 1 – Pin is pulled low, alerts the DPP that the DMD regulator is about to shut down.
		100	DMD_FAULT DMD regulator fault (part enters STANDBY mode and DMD_EN bit is cleared) 0 – No fault 1 – The inductor current is not increasing at the correct rate, likely to be caused by an open inductor. Or, one of the regulator outputs has dropped below the power-good threshold, likely to be caused by a short
		99	UVLO UVLO interrupt (sensed at VINA pin), DMD bit is cleared. 0 – Battery voltage is above the UVLO threshold 1 – Battery voltage has dropped below the UVLO threshold
		98	BAT_LOW_WARN Low battery warning interrupt (sensed at VINA pin, normal operation resumes) 0 – Battery voltage is above the low-battery threshold 1 – Battery voltage has dropped below the low-battery threshold
		97	TS_WARN Thermal warning interrupt (normal operation resumes) 0 – Die temperature is in normal operating range 1 – Die temperature is above the HOT threshold Or, part has not cooled down enough to recover from HOT.
		96	TS_WARN Thermal Warning Interrupt (normal operation resumes) 0 – Die temperature is in normal operating range 1 – Die temperature is above the HOT threshold Or, part has not cooled down enough to recover from HOT.

**Table 24. Interrupt Mask Register**

Register = 0Dh									
DATA BIT	D7	D6	D5	D4	D3	D2	D1	D0	HEX
FIELD NAME	INT MASK [111:104]								
READ/WRITE	R/W	R/W	R/W	R/W	R/W	R/W	R/W	R/W	
RESET VALUE	1	1	0	1	1	1	1	1	DF

**Table 25. Interrupt Mask Register Bit Definitions**

FIELD NAME	Bit	Bit Definition	
INT MASK	[111:104]	111	VLED_BUCK_BOOST Overvoltage fault interrupt mask 0 – Interrupt is not masked 1 – Interrupt is masked
		110	IREG_PG_FAULT_MASK 0 – Interrupt is not masked 1 – Interrupt is masked
		109	PROJ_ON interrupt mask 0 – Interrupt is not masked 1 – Interrupt is masked
		108	DMD_REGULATOR fault mask 0 – Interrupt is not masked 1 – Interrupt is masked
		107	UVLO_MASK 0 – Interrupt is not masked 1 – Interrupt is masked
		106	Low Battery Warning Mask (sensed at VINA pin) 0 – Interrupt is not masked 1 – Interrupt is masked
		105	Thermal Shutdown Interrupt Mask 0 – Interrupt is not masked 1 – Interrupt is masked
		104	Thermal Warning Interrupt Mask 0 – Interrupt is not masked 1 – Interrupt is masked

**Table 26. Timing Register VOFS, VBIAS, VRST, and RESETZ**

Register = 0Eh									
DATA BIT	D7	D6	D5	D4	D3	D2	D1	D0	HEX
FIELD NAME	TIMING [119:112]								
READ/WRITE	R/W	R/W	R/W	R/W	R/W	R/W	R/W	R/W	
RESET VALUE	0	0	0	0	0	1	1	1	07

**Table 27. Timing Register VOFS, VBIAS, VRST, and RESETZ Bit Definitions**

FIELD NAME	Bit	Bit Definition		
TIMING	[119:112]	119:116	VOFS/RESETZ_DELAY<3:0> (for values see min and max delay)	
		115:112	VBIAS/VRST_DELAY<3:0> (for values see min and max delay)	
			Min Delay (µs)	Max Delay (µs)
		0000	4.0	4.4
		0001	8.0	8.9
		0010	16.0	17.8
		0011	32.0	35.5
		0100	64.0	71.1
		0101	128.0	142.2
		0110	256.0	284.4
		0111	512.0	569.0
		1000	6.2	7.1
		1001	12.4	14.2
		1010	24.9	28.4
		1011	49.8	56.9
		1100	99.5	113.8
		1101	199.1	227.6
1110	398.3	455.2		
1111	1024.2	1138.0		

**Table 28. Password Register**

Register = 10h									
DATA BIT	D7	D6	D5	D4	D3	D2	D1	D0	HEX
FIELD NAME	PASSWORD [135:128]								
READ/WRITE	R/W	R/W	R/W	R/W	R/W	R/W	R/W	R/W	
RESET VALUE	0	0	0	0	0	0	0	0	00
FIELD NAME	Bit	Bit Definition							
PASSWORD	[135:128]	135:128	USER PASSWORD (0xBAh + 0xBEh) Disable (0x00h) Once set, register 11h can be written.						

**Table 29. System Configuration Register**

Register = 11h									
DATA BIT	D7	D6	D5	D4	D3	D2	D1	D0	HEX
FIELD NAME	SYSTEM [143:136]								
READ/WRITE	R/W	R/W	R/W	R/W	R/W	R/W	R/W	R/W	
RESET VALUE	0	0	0	0	0	0	0	0	00

**Table 30. System Configuration Register Bit Definitions**

FIELD NAME	Bit	Bit Definition	
SYSTEM	[143:136]	143:139	TBD
		138	EEPROM_PROGRAM Program scratch pad values to EEPROM
		137	DIRECT_MODE Allows direct control of switches through SW CONTROL REGISTER
		136	TBD

**Table 31. User EEPROM, BYTE0**

Register = 20h									
DATA BIT	D7	D6	D5	D4	D3	D2	D1	D0	HEX
FIELD NAME	BYTE0 [7:0]								
READ/WRITE	R/W	R/W	R/W	R/W	R/W	R/W	R/W	R/W	
RESET VALUE	0	0	0	0	0	0	0	0	00
FIELD NAME	Bit	Bit Definition							
BYTE0	[7:0]	7:0		USER BYTE 0					

**Table 32. User EEPROM, BYTE1**

Register = 21h									
DATA BIT	D7	D6	D5	D4	D3	D2	D1	D0	HEX
FIELD NAME	BYTE1 [15:8]								
READ/WRITE	R/W	R/W	R/W	R/W	R/W	R/W	R/W	R/W	
RESET VALUE	0	0	0	0	0	0	0	0	00
FIELD NAME	Bit	Bit Definition							
BYTE1	[15:8]	15:8		USER BYTE 1					

**Table 33. User EEPROM, BYTE2**

Register = 22h									
DATA BIT	D7	D6	D5	D4	D3	D2	D1	D0	HEX
FIELD NAME	BYTE2 [23:16]								
READ/WRITE	R/W	R/W	R/W	R/W	R/W	R/W	R/W	R/W	
RESET VALUE	0	0	0	0	0	0	0	0	00
FIELD NAME	Bit	Bit Definition							
BYTE2	[23:16]	23:16		USER BYTE 2					

**Table 34. User EEPROM, BYTE3**

Register = 23h									
DATA BIT	D7	D6	D5	D4	D3	D2	D1	D0	HEX
FIELD NAME	BYTE3 [31:24]								
READ/WRITE	R/W	R/W	R/W	R/W	R/W	R/W	R/W	R/W	
RESET VALUE	0	0	0	0	0	0	0	0	00
FIELD NAME	Bit	Bit Definition							
BYTE3	[31:24]	31:24		USER BYTE 3					

**Table 35. User EEPROM, BYTE4**

Register = 24h									
DATA BIT	D7	D6	D5	D4	D3	D2	D1	D0	HEX
FIELD NAME	BYTE4 [39:32]								
READ/WRITE	R/W	R/W	R/W	R/W	R/W	R/W	R/W	R/W	
RESET VALUE	0	0	0	0	0	0	0	0	00
FIELD NAME	Bit	Bit Definition							
BYTE4	[39:32]	39:32		USER BYTE 4					

**Table 36. User EEPROM, BYTE5**

Register = 25h										
DATA BIT	D7	D6	D5	D4	D3	D2	D1	D0	HEX	
FIELD NAME	BYTE5 [47:40]									
READ/WRITE	R/W	R/W	R/W	R/W	R/W	R/W	R/W	R/W		
RESET VALUE	0	0	0	0	0	0	0	0	00	
FIELD NAME	Bit	Bit Definition								
BYTE5	[47:40]	47:40		USER BYTE 5						

**Table 37. User EEPROM, BYTE6**

Register = 26h										
DATA BIT	D7	D6	D5	D4	D3	D2	D1	D0	HEX	
FIELD NAME	BYTE6 [55:48]									
READ/WRITE	R/W	R/W	R/W	R/W	R/W	R/W	R/W	R/W		
RESET VALUE	0	0	0	0	0	0	0	0	00	
FIELD NAME	Bit	Bit Definition								
BYTE6	[55:48]	55:48		USER BYTE 6						

**Table 38. User EEPROM, BYTE7**

Register = 27h										
DATA BIT	D7	D6	D5	D4	D3	D2	D1	D0	HEX	
FIELD NAME	BYTE7 [63:56]									
READ/WRITE	R	R	R	R	R	R	R	R		
RESET VALUE	0	0	0	0	0	0	0	0	00	
FIELD NAME	Bit	Bit Definition								
BYTE7	[63:56]	63:56		USER BYTE 7						

## 8 Application and Implementation

### NOTE

Information in the following applications sections is not part of the TI component specification, and TI does not warrant its accuracy or completeness. TI's customers are responsible for determining suitability of components for their purposes. Customers should validate and test their design implementation to confirm system functionality.

### 8.1 Application Information

In all display applications using the DLPA2005 provides all needed analog functions including all analog power supplies and RGB LED driver (up to 2.4 A per LED) to provide a robust and efficient display solution.

### 8.2 Typical Application

A common application when using DLPA2005 with DLP2010 DMD and DLPC3430/DLPC3435 controller is for creating an accessory projector for a smart phone, tablet or any other portable smart device. The DLPC3430/DLPC3435 in an accessory projector typically receives images from a smart device over either HDMI as shown below (WI-FI can also be used to transmit data). DLPA2005 provides power supply sequencing and controls the RGB LED currents as required by the application.

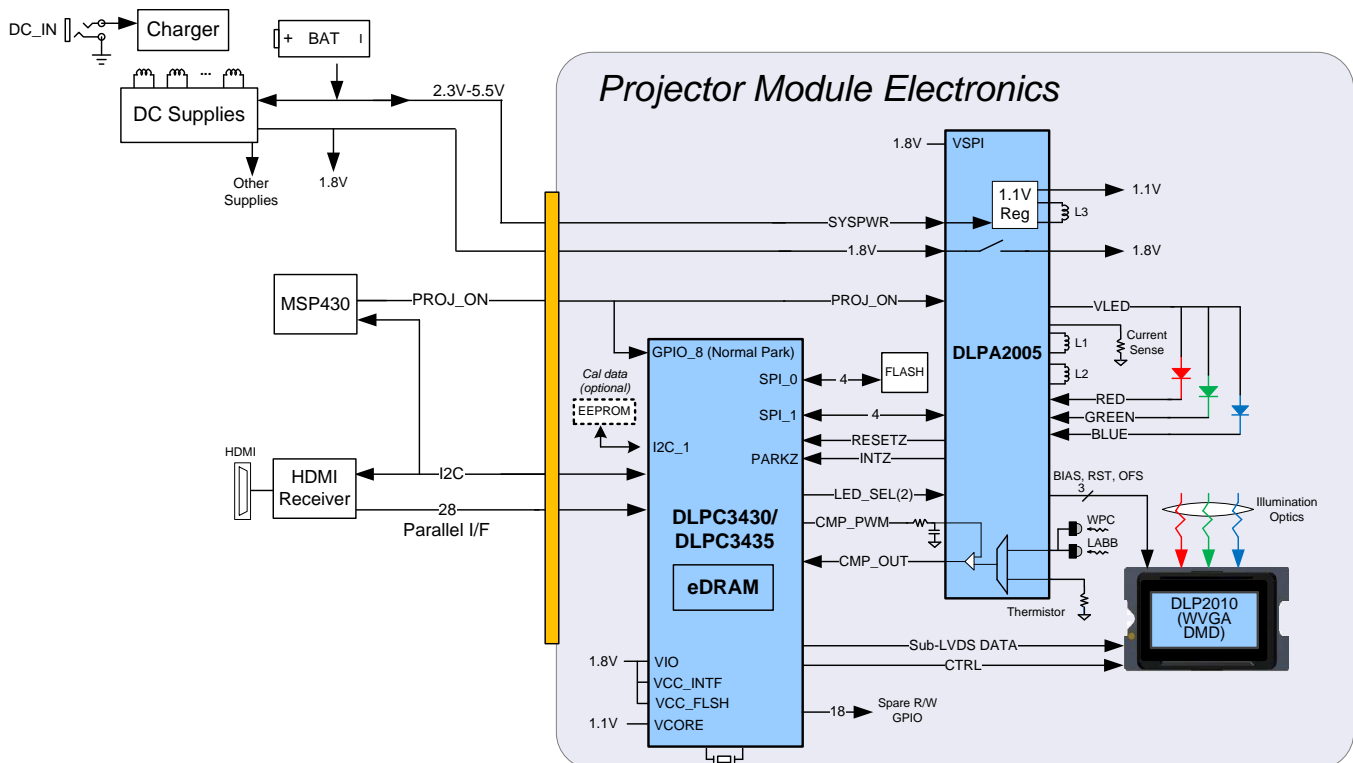


Figure 15. Typical Setup Using DLPA2005

#### 8.2.1 Design Requirements

A pico-projector is created by using a DLP chip set comprised of DLP2010 (.2 WVGA) DMD, DLPC3430 or DLPC3435 controller and DLPA2005 PMIC/LED driver. The DLPC3430 or DLPC3435 does the digital image processing, the DLPA2005 provides the needed analog functions for the projector, and DMD is the display device for producing the projected image. In addition to the three DLP chips in the chip set, other chips may be needed. At a minimum a flash part is needed to store the software and firmware to control the DLPC3430 or DLPC3435. The illumination light that is applied to the DMD is typically from red, green, and blue LEDs. These are often contained in three separate packages, but sometimes more than one color of LED die may be in the same package to reduce the overall size of the pico-projector. For connecting the DLPC3430 or DLPC3435 to

**Typical Application (continued)**

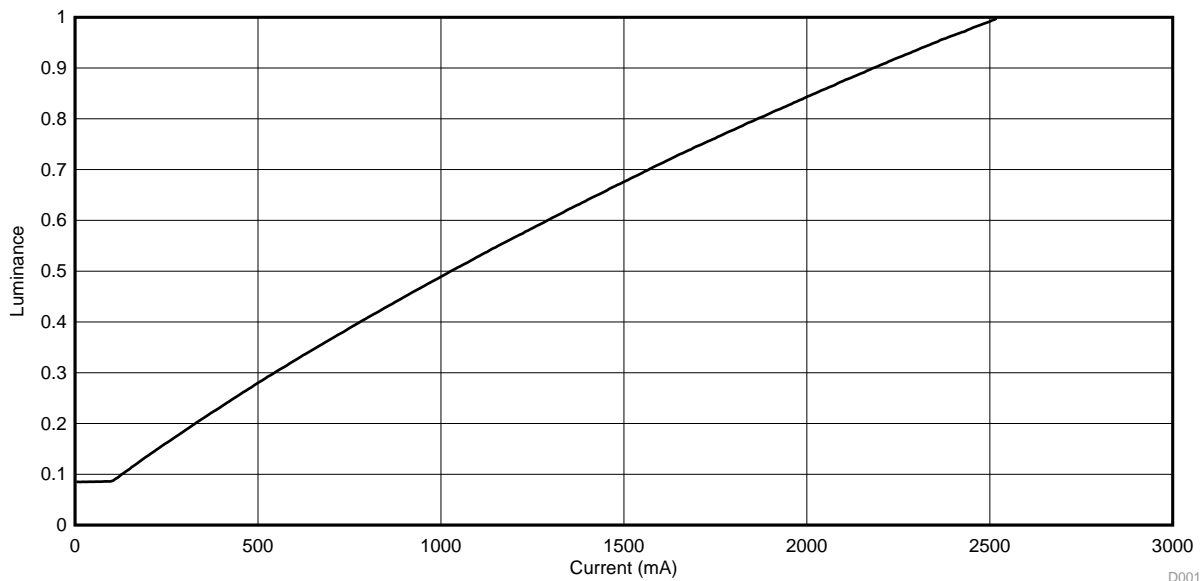
the front end for receiving images parallel interface is used. While using parallel interface, I<sup>2</sup>C should be connected to the front end for sending commands to the DLPC3430 or DLPC3435. The only power supplies needed external to the projector are the battery (SYSPWR) and a regulated 1.8 V supply. The entire pico-projector can be turned on and off by using a single signal called PROJ\_ON. When PROJ\_ON is high, the projector turns on and begins displaying images. When PROJ\_ON is set low, the projector turns off and draws just microamps of current on SYSPWR. When PROJ\_ON is set low, the 1.8 V supply can continue to be left at 1.8 V and used by other non-projector sections of the product. If PROJ\_ON is low, the DLPA2005 will not draw current on the 1.8 V supply.

**8.2.2 Detailed Design Procedure**

For connecting together the DLP2010, DLPC3430 or DLPC3435 and DLPA2005, see the reference design schematic. When a circuit board layout is created from this schematic a very small circuit board is possible. An example small board layout is included in the reference design data base. Layout guidelines should be followed to achieve a reliable projector. The optical engine that has the LED packages and the DMD mounted to it is typically supplied by an optical OEM who specializes in designing optics for DLP projectors.

**8.2.3 Application Curves**

As the LED currents that are driven time-sequentially through the red, green, and blue LEDs are increased, the brightness of the projector increases. This increase is somewhat non-linear, and the curve for typical white screen lumens changes with LED currents. It's assumed that the same current amplitude is applied to the red, green, and blue LEDs.



**Figure 16. Luminance vs Current**

D001

## 9 Power Supply Recommendations

The DLPA2005 is designed to operate from a 2.3 to 6 V input voltage supply or battery. To avoid insufficient supply current due to line drop, ringing due to trace inductance at the VIN terminal, or supply peak current limitations, additional bulk capacitance may be required. In the case ringing that is caused by the interaction with the ceramic input capacitors, an electrolytic or tantalum type capacitor may be needed for damping.

The amount of bulk capacitance required should be evaluated such that the input voltage can remain in spec long enough for a proper fast shutdown to occur for the vofs, vrst, and vbias supplies. The shutdown begins when the input voltage drops below the programmable UVLO threshold such as when the external power supply or battery supply is suddenly removed from the system.

## 10 Layout

### 10.1 Layout Guidelines

As for all chips with switching power supplies, the layout is an important step in the design, especially in the case of high peak currents and high switching frequencies. If the layout is not carefully done, the regulators could show stability problems as well as EMI problems. Therefore, use wide and short traces for the main current paths and for the power ground tracks. Input capacitors, output capacitors, and inductors should be placed as close as possible to the IC.

Figure 17 shows an example layout that has critical parts placed as close as possible to the pins they are connected to. Here are recommendations for the following components:

- R1 is RLIM and is connected via a wide trace (low resistance) to the system ground. The analog ground at pin 5 should be star connected to the point where RLIM is connected to the system ground. Aim on a wide and low-ohmic trace as well, although this one is less critical (tens of mA).
- L1 is the big inductor for the VLED that is connected via two wide traces to the pins
- C4 are the decoupling capacitors for the VLED and they are as close as possible placed to the part and directly connected to ground.
- L3/C20 are components used for the VCORE BUCK. L3 is placed close to the pin and connected with a wide trace to the part. C20 is placed directly beside the inductor and connected to the PGND pin
- L2 This inductor is part of the DMD reset regulators and is also placed as close as possible to the DLPA2005 using wide PCB traces.

### 10.2 Layout Example

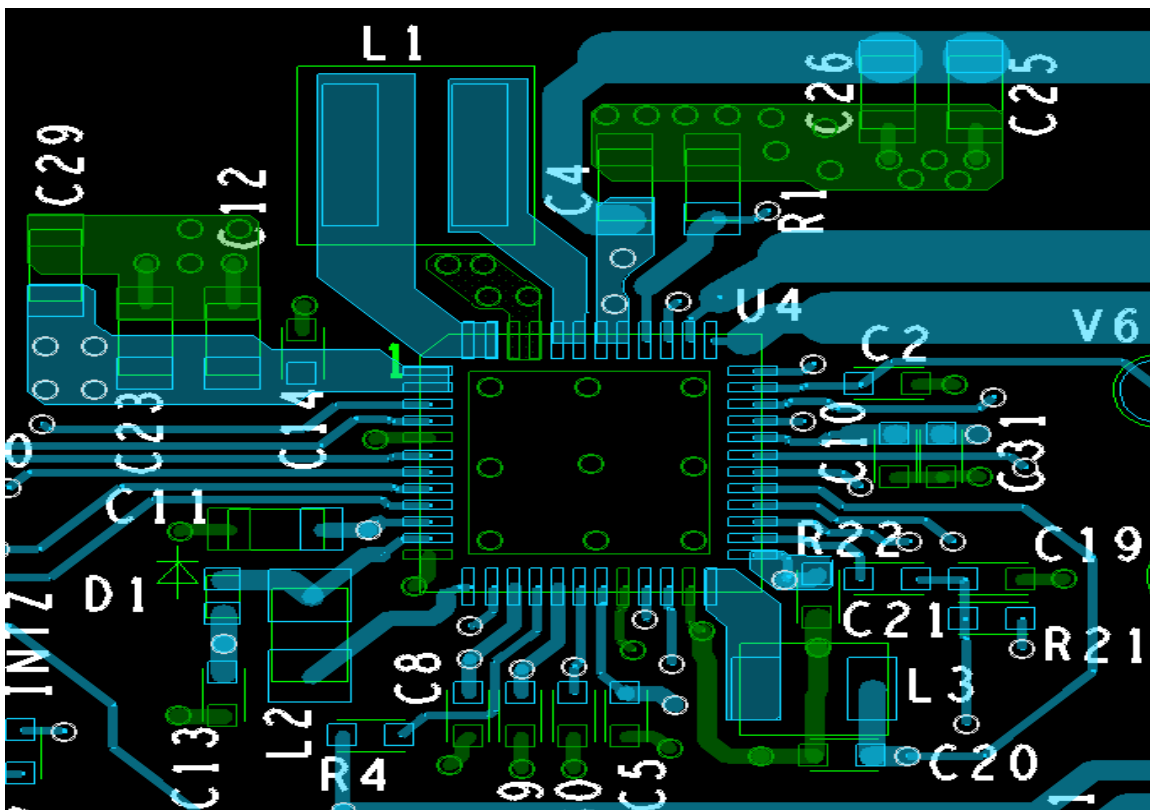


Figure 17. Example Layout of DLPA2005

### 10.3 Thermal Considerations

An important consequence of the efficiency numbers shown in [Figure 7](#) is that it enables to perform DLPA2005 thermal calculations. Since the efficiency is not 100%, power is dissipated in the DLPA2005 chip. Due to that dissipation die temperature will rise. For reliability reasons it is good to aim for as low as possible die temperatures. Using a heat sink and airflow are efficient means to keep die temperature reasonably low. In cases that airflow and / or a heat sink are / is not feasible, the system designer should specifically pay attention to the thermal design. The die temperature for regular operation should remain below 120°C.

In the following an example is given of such a thermal calculation. The calculation starts with summarizing all blocks in the DLPA2005 that dissipate. Clearly, the buck-boost converter supplying the LED power is the main source of dissipation. For illustrating purposes here we assume this buck-boost converter to be the only block that dissipates significantly. For the example assume:  $V_{OUT}=4.8\text{ V}$  (for all three LEDs),  $I_{OUT}=2.4\text{ A}$  and  $V_{IN}=5\text{ V}$ . From [Figure 7](#) it can be derived that the related efficiency equals about  $\eta_{eff}=88\%$ .

The power dissipated by the DLPA2005 is then given by:

$$P_{DISS} = P_{IN} - P_{OUT} = P_{OUT} \left( \frac{100\%}{\eta_{eff}} - 1 \right) = 4.8\text{V} \cdot 2.4\text{A} \cdot \left( \frac{100\%}{88\%} - 1 \right) = 1.6\text{W}$$

The rise of die temperature due to this power dissipation can be calculated using the thermal resistance from junction to ambient,  $\theta_{JA}=27.9^\circ\text{C/W}$ . This calculation yields:

$$T_{JUNCTION} = T_{AMBIENT} + P_{DISS} \cdot \theta_{JA} = 25^\circ\text{C} + 1.6\text{W} \cdot 27.9^\circ\text{C/W} = 69.6^\circ\text{C}$$

It is also possible to calculate the maximum allowable ambient temperature to prevent surpassing the maximum die temperature. Assume again the dissipation of  $P_{DISS}=1.6\text{W}$ . The maximum ambient temperature that is allowed is then given by:

$$T_{AMBIENT-max} = T_{JUNCTION-max} - P_{DISS} \cdot \theta_{JA} = 120^\circ\text{C} - 1.6\text{W} \cdot 27.9^\circ\text{C/W} = 75.4^\circ\text{C}$$

It is again stressed here that for proper calculations the total power dissipation of the PAD2005 should be taken into account. On top of that, if components that are close to the PAD2005 also dissipate a significant amount of power, the (local) ambient temperature can be higher than the ambient temperature of the system.

If calculations show that the die temperature will surpass the maximum specified value, two basic options exist:

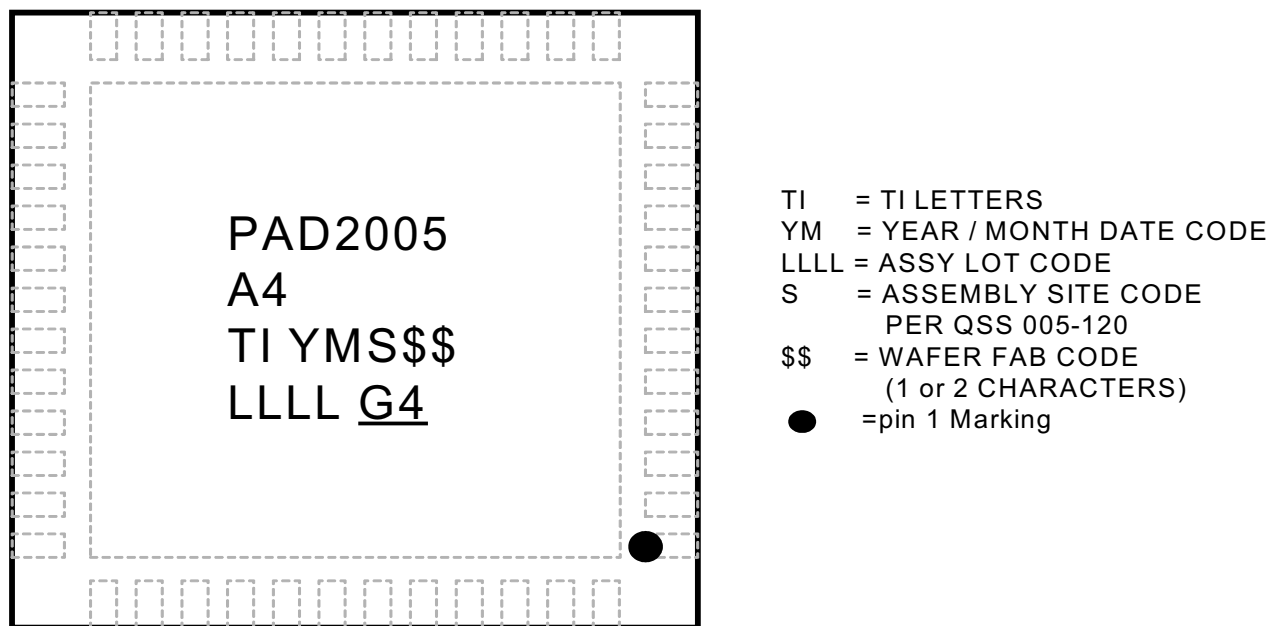
- Adding a heat sink with or without airflow. This will reduce  $\theta_{JA}$  yielding lower die temperature.
- Lowering the dissipation in the PAD2005 implying lowering the maximum allowable LED current.

## 11 Device and Documentation Support

### 11.1 Device Support

#### 11.1.1 Device Nomenclature

### Package Marking DLPA2005 (TOP VIEW)



**Figure 18. Package Marking DLPA2005 (Top View)**

### 11.2 Trademarks

Pico is a trademark of Texas Instruments.  
 DLP is a registered trademark of Texas Instruments.  
 All other trademarks are the property of their respective owners.

### 11.3 Electrostatic Discharge Caution



These devices have limited built-in ESD protection. The leads should be shorted together or the device placed in conductive foam during storage or handling to prevent electrostatic damage to the MOS gates.

### 11.4 Glossary

[SLYZ022](#) — *TI Glossary*.

This glossary lists and explains terms, acronyms, and definitions.

## 12 Mechanical, Packaging, and Orderable Information

The following pages include mechanical, packaging, and orderable information. This information is the most current data available for the designated devices. This data is subject to change without notice and revision of this document. For browser-based versions of this data sheet, refer to the left-hand navigation.

**Cover Tape** The cover tape does not cover the index hole and does not shift to outside from carrier tape.

**ESD Countermeasure** Plastic material used in both carrier tape and cover tape are static dissipative.

**DLPA2005**

DLPS047A –SEPTEMBER 2014–REVISED OCTOBER 2014

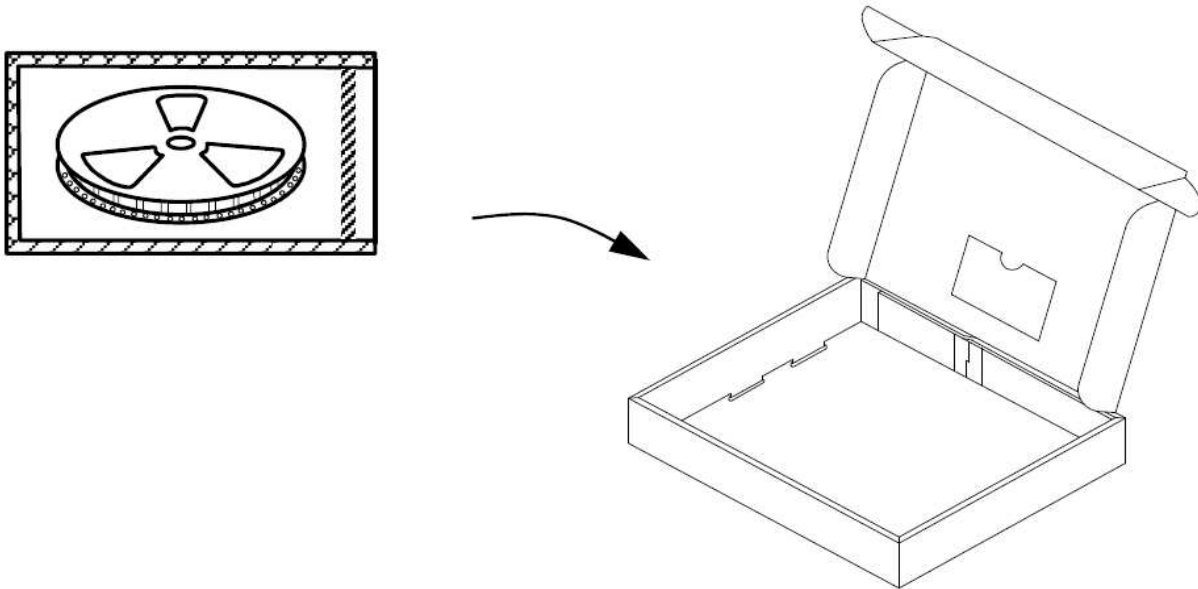
[www.ti.com](http://www.ti.com)

**Insertion of Device** The device is located such as symbolization in upper side and lead pins in lower side.

**Packing Method** The reel is packed into Moisture Barrier bag and fastened by heat-sealing after fixed the end of leader tape by tape. The QFN device packing includes desiccant, humidity indicator.

**Reel Box** Each Moisture Barrier bag is packed into reel box.



**Tape Structure** The carrier tape is made of plastic and the structure is shown in above schematic. The device is put on embossed area of carrier tape, and covered by cover tape made of plastic.



**Reel box (carton)**

**Reel Box Material** Corrugated Fiberboard

**PACKAGING INFORMATION**

Orderable Device	Status (1)	Package Type	Package Drawing	Pins	Package Qty	Eco Plan (2)	Lead/Ball Finish (6)	MSL Peak Temp (3)	Op Temp (°C)	Device Marking (4/5)	Samples
DLPA2005ERSLR	ACTIVE	VQFN	RSL	48	3000	Green (RoHS & no Sb/Br)	CU NIPDAU	Level-3-260C-168 HR		PAD2005 A4	
DLPA2005ERSLT	ACTIVE	VQFN	RSL	48	250	Green (RoHS & no Sb/Br)	CU NIPDAU	Level-3-260C-168 HR		PAD2005 A4	

(1) The marketing status values are defined as follows:

**ACTIVE:** Product device recommended for new designs.

**LIFEBUY:** TI has announced that the device will be discontinued, and a lifetime-buy period is in effect.

**NRND:** Not recommended for new designs. Device is in production to support existing customers, but TI does not recommend using this part in a new design.

**PREVIEW:** Device has been announced but is not in production. Samples may or may not be available.

**OBSOLETE:** TI has discontinued the production of the device.

(2) Eco Plan - The planned eco-friendly classification: Pb-Free (RoHS), Pb-Free (RoHS Exempt), or Green (RoHS & no Sb/Br) - please check <http://www.ti.com/productcontent> for the latest availability information and additional product content details.

**TBD:** The Pb-Free/Green conversion plan has not been defined.

**Pb-Free (RoHS):** TI's terms "Lead-Free" or "Pb-Free" mean semiconductor products that are compatible with the current RoHS requirements for all 6 substances, including the requirement that lead not exceed 0.1% by weight in homogeneous materials. Where designed to be soldered at high temperatures, TI Pb-Free products are suitable for use in specified lead-free processes.

**Pb-Free (RoHS Exempt):** This component has a RoHS exemption for either 1) lead-based flip-chip solder bumps used between the die and package, or 2) lead-based die adhesive used between the die and leadframe. The component is otherwise considered Pb-Free (RoHS compatible) as defined above.

**Green (RoHS & no Sb/Br):** TI defines "Green" to mean Pb-Free (RoHS compatible), and free of Bromine (Br) and Antimony (Sb) based flame retardants (Br or Sb do not exceed 0.1% by weight in homogeneous material)

(3) MSL, Peak Temp. - The Moisture Sensitivity Level rating according to the JEDEC industry standard classifications, and peak solder temperature.

(4) There may be additional marking, which relates to the logo, the lot trace code information, or the environmental category on the device.

(5) Multiple Device Markings will be inside parentheses. Only one Device Marking contained in parentheses and separated by a "~" will appear on a device. If a line is indented then it is a continuation of the previous line and the two combined represent the entire Device Marking for that device.

(6) Lead/Ball Finish - Orderable Devices may have multiple material finish options. Finish options are separated by a vertical ruled line. Lead/Ball Finish values may wrap to two lines if the finish value exceeds the maximum column width.

**Important Information and Disclaimer:** The information provided on this page represents TI's knowledge and belief as of the date that it is provided. TI bases its knowledge and belief on information provided by third parties, and makes no representation or warranty as to the accuracy of such information. Efforts are underway to better integrate information from third parties. TI has taken and continues to take reasonable steps to provide representative and accurate information but may not have conducted destructive testing or chemical analysis on incoming materials and chemicals. TI and TI suppliers consider certain information to be proprietary, and thus CAS numbers and other limited information may not be available for release.

In no event shall TI's liability arising out of such information exceed the total purchase price of the TI part(s) at issue in this document sold by TI to Customer on an annual basis.

## TAPE AND REEL INFORMATION

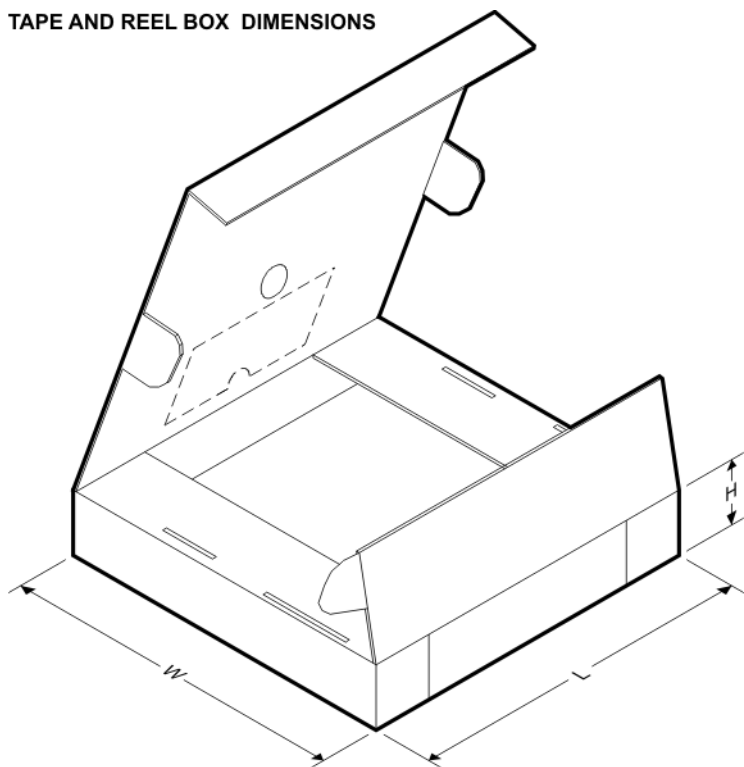


### QUADRANT ASSIGNMENTS FOR PIN 1 ORIENTATION IN TAPE



\*All dimensions are nominal

Device	Package Type	Package Drawing	Pins	SPQ	Reel Diameter (mm)	Reel Width W1 (mm)	A0 (mm)	B0 (mm)	K0 (mm)	P1 (mm)	W (mm)	Pin1 Quadrant
DLPA2005ERSLR	VQFN	RSL	48	3000	330.0	16.4	6.3	6.3	1.1	12.0	16.0	Q2
DLPA2005ERSLT	VQFN	RSL	48	250	180.0	16.4	6.3	6.3	1.1	12.0	16.0	Q2

**TAPE AND REEL BOX DIMENSIONS**


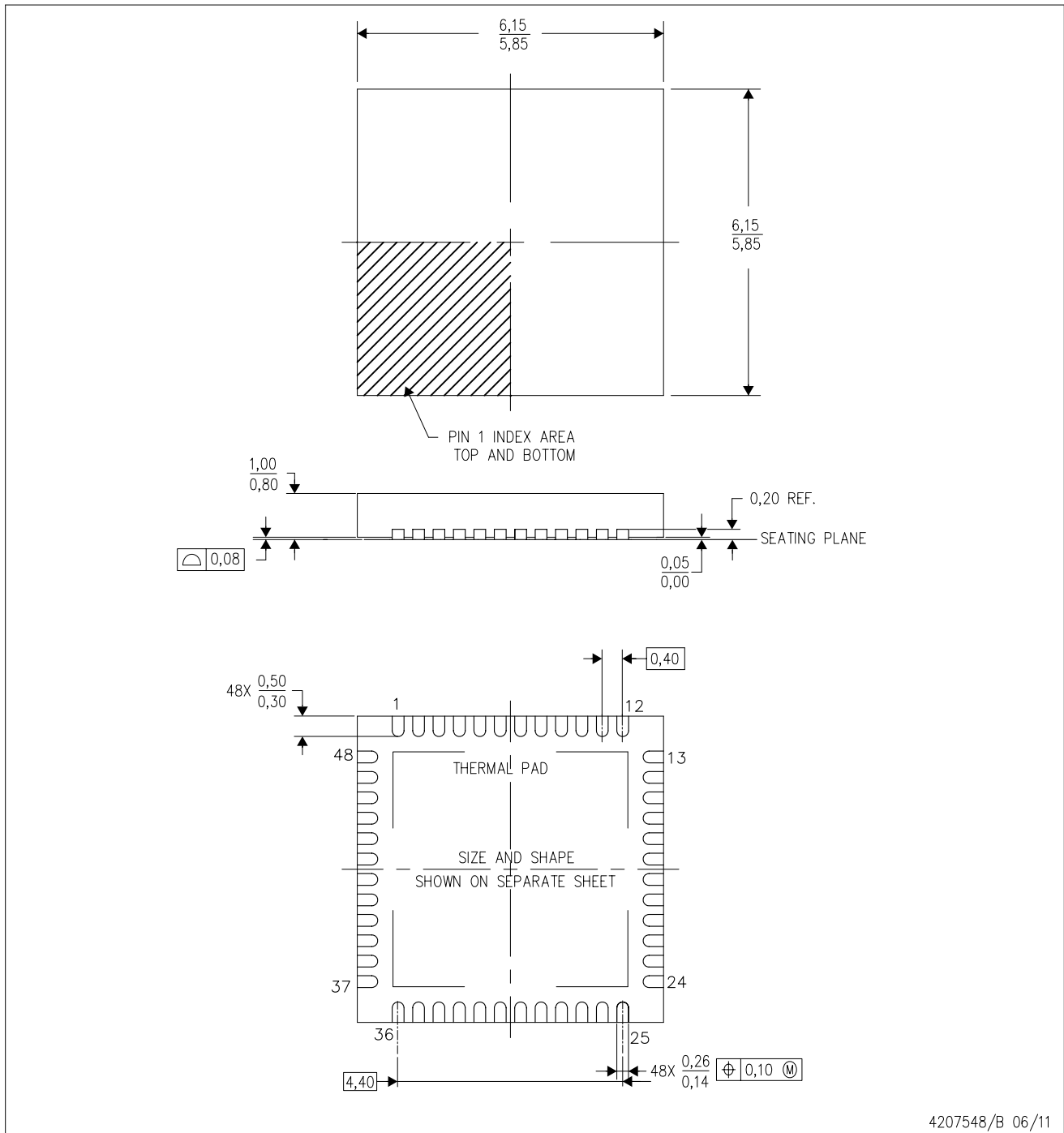
\*All dimensions are nominal

Device	Package Type	Package Drawing	Pins	SPQ	Length (mm)	Width (mm)	Height (mm)
DLPA2005ERSLR	VQFN	RSL	48	3000	367.0	367.0	38.0
DLPA2005ERSLT	VQFN	RSL	48	250	210.0	185.0	35.0

# MECHANICAL DATA

RSL (S-PVQFN-N48)

PLASTIC QUAD FLATPACK NO-LEAD



- NOTES:
- A. All linear dimensions are in millimeters. Dimensioning and tolerancing per ASME Y14.5M-1994.
  - B. This drawing is subject to change without notice.
  - C. Quad Flatpack, No-leads (QFN) package configuration.
  - D. The package thermal pad must be soldered to the board for thermal and mechanical performance.
  - E. See the additional figure in the Product Data Sheet for details regarding the exposed thermal pad features and dimensions.

# THERMAL PAD MECHANICAL DATA

RSL (S-PVQFN-N48)

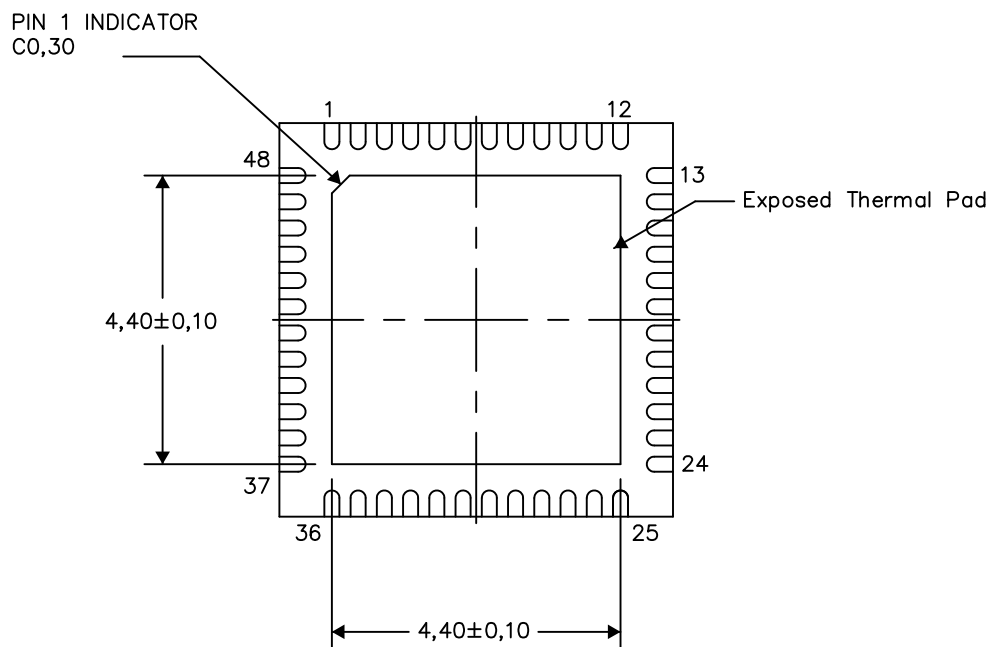
PLASTIC QUAD FLATPACK NO-LEAD

## THERMAL INFORMATION

This package incorporates an exposed thermal pad that is designed to be attached directly to an external heatsink. The thermal pad must be soldered directly to the printed circuit board (PCB). After soldering, the PCB can be used as a heatsink. In addition, through the use of thermal vias, the thermal pad can be attached directly to the appropriate copper plane shown in the electrical schematic for the device, or alternatively, can be attached to a special heatsink structure designed into the PCB. This design optimizes the heat transfer from the integrated circuit (IC).

For information on the Quad Flatpack No-Lead (QFN) package and its advantages, refer to Application Report, QFN/SON PCB Attachment, Texas Instruments Literature No. SLUA271. This document is available at [www.ti.com](http://www.ti.com).

The exposed thermal pad dimensions for this package are shown in the following illustration.



Bottom View

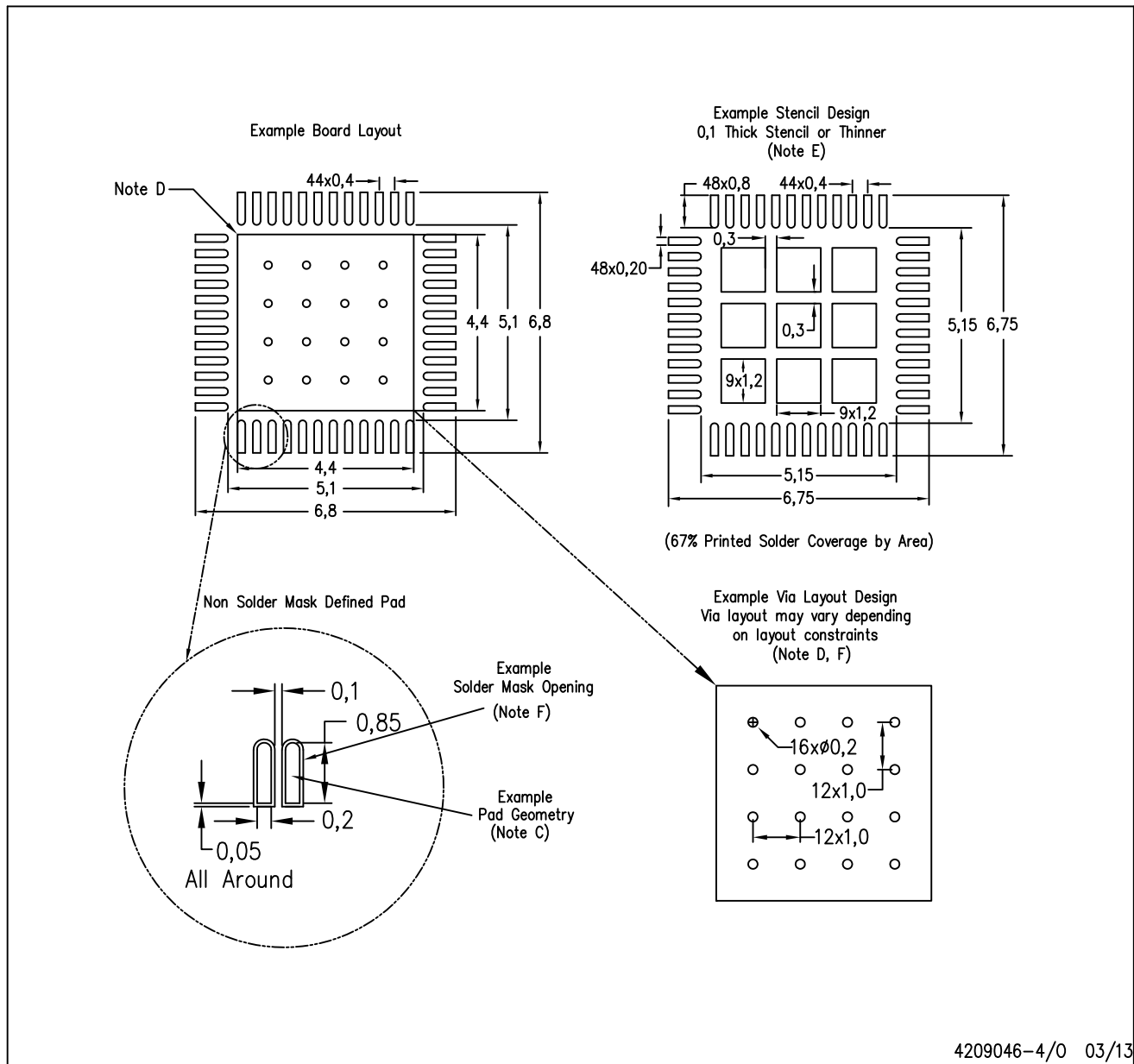
Exposed Thermal Pad Dimensions

4207841-2/P 03/13

NOTE: All linear dimensions are in millimeters

RSL (S-PVQFN-N48)

PLASTIC QUAD FLATPACK NO-LEAD



- NOTES:
- All linear dimensions are in millimeters.
  - This drawing is subject to change without notice.
  - Publication IPC-7351 is recommended for alternate designs.
  - This package is designed to be soldered to a thermal pad on the board. Refer to Application Note, QFN/SQN PCB Attachment, Texas Instruments Literature No. SLUA271, and also the Product Data Sheets for specific thermal information, via requirements, and recommended board layout. These documents are available at [www.ti.com](http://www.ti.com) <<http://www.ti.com>>.
  - Laser cutting apertures with trapezoidal walls and also rounding corners will offer better paste release. Customers should contact their board assembly site for stencil design recommendations. Refer to IPC 7525 for stencil design considerations.
  - Customers should contact their board fabrication site for recommended solder mask tolerances and via tenting recommendations for vias placed in the thermal pad.

## IMPORTANT NOTICE

Texas Instruments Incorporated and its subsidiaries (TI) reserve the right to make corrections, enhancements, improvements and other changes to its semiconductor products and services per JESD46, latest issue, and to discontinue any product or service per JESD48, latest issue. Buyers should obtain the latest relevant information before placing orders and should verify that such information is current and complete. All semiconductor products (also referred to herein as "components") are sold subject to TI's terms and conditions of sale supplied at the time of order acknowledgment.

TI warrants performance of its components to the specifications applicable at the time of sale, in accordance with the warranty in TI's terms and conditions of sale of semiconductor products. Testing and other quality control techniques are used to the extent TI deems necessary to support this warranty. Except where mandated by applicable law, testing of all parameters of each component is not necessarily performed.

TI assumes no liability for applications assistance or the design of Buyers' products. Buyers are responsible for their products and applications using TI components. To minimize the risks associated with Buyers' products and applications, Buyers should provide adequate design and operating safeguards.

TI does not warrant or represent that any license, either express or implied, is granted under any patent right, copyright, mask work right, or other intellectual property right relating to any combination, machine, or process in which TI components or services are used. Information published by TI regarding third-party products or services does not constitute a license to use such products or services or a warranty or endorsement thereof. Use of such information may require a license from a third party under the patents or other intellectual property of the third party, or a license from TI under the patents or other intellectual property of TI.

Reproduction of significant portions of TI information in TI data books or data sheets is permissible only if reproduction is without alteration and is accompanied by all associated warranties, conditions, limitations, and notices. TI is not responsible or liable for such altered documentation. Information of third parties may be subject to additional restrictions.

Resale of TI components or services with statements different from or beyond the parameters stated by TI for that component or service voids all express and any implied warranties for the associated TI component or service and is an unfair and deceptive business practice. TI is not responsible or liable for any such statements.

Buyer acknowledges and agrees that it is solely responsible for compliance with all legal, regulatory and safety-related requirements concerning its products, and any use of TI components in its applications, notwithstanding any applications-related information or support that may be provided by TI. Buyer represents and agrees that it has all the necessary expertise to create and implement safeguards which anticipate dangerous consequences of failures, monitor failures and their consequences, lessen the likelihood of failures that might cause harm and take appropriate remedial actions. Buyer will fully indemnify TI and its representatives against any damages arising out of the use of any TI components in safety-critical applications.

In some cases, TI components may be promoted specifically to facilitate safety-related applications. With such components, TI's goal is to help enable customers to design and create their own end-product solutions that meet applicable functional safety standards and requirements. Nonetheless, such components are subject to these terms.

No TI components are authorized for use in FDA Class III (or similar life-critical medical equipment) unless authorized officers of the parties have executed a special agreement specifically governing such use.

Only those TI components which TI has specifically designated as military grade or "enhanced plastic" are designed and intended for use in military/aerospace applications or environments. Buyer acknowledges and agrees that any military or aerospace use of TI components which have **not** been so designated is solely at the Buyer's risk, and that Buyer is solely responsible for compliance with all legal and regulatory requirements in connection with such use.

TI has specifically designated certain components as meeting ISO/TS16949 requirements, mainly for automotive use. In any case of use of non-designated products, TI will not be responsible for any failure to meet ISO/TS16949.

### Products

Audio	<a href="http://www.ti.com/audio">www.ti.com/audio</a>
Amplifiers	<a href="http://amplifier.ti.com">amplifier.ti.com</a>
Data Converters	<a href="http://dataconverter.ti.com">dataconverter.ti.com</a>
DLP® Products	<a href="http://www.dlp.com">www.dlp.com</a>
DSP	<a href="http://dsp.ti.com">dsp.ti.com</a>
Clocks and Timers	<a href="http://www.ti.com/clocks">www.ti.com/clocks</a>
Interface	<a href="http://interface.ti.com">interface.ti.com</a>
Logic	<a href="http://logic.ti.com">logic.ti.com</a>
Power Mgmt	<a href="http://power.ti.com">power.ti.com</a>
Microcontrollers	<a href="http://microcontroller.ti.com">microcontroller.ti.com</a>
RFID	<a href="http://www.ti-rfid.com">www.ti-rfid.com</a>
OMAP Applications Processors	<a href="http://www.ti.com/omap">www.ti.com/omap</a>
Wireless Connectivity	<a href="http://www.ti.com/wirelessconnectivity">www.ti.com/wirelessconnectivity</a>

### Applications

Automotive and Transportation	<a href="http://www.ti.com/automotive">www.ti.com/automotive</a>
Communications and Telecom	<a href="http://www.ti.com/communications">www.ti.com/communications</a>
Computers and Peripherals	<a href="http://www.ti.com/computers">www.ti.com/computers</a>
Consumer Electronics	<a href="http://www.ti.com/consumer-apps">www.ti.com/consumer-apps</a>
Energy and Lighting	<a href="http://www.ti.com/energy">www.ti.com/energy</a>
Industrial	<a href="http://www.ti.com/industrial">www.ti.com/industrial</a>
Medical	<a href="http://www.ti.com/medical">www.ti.com/medical</a>
Security	<a href="http://www.ti.com/security">www.ti.com/security</a>
Space, Avionics and Defense	<a href="http://www.ti.com/space-avionics-defense">www.ti.com/space-avionics-defense</a>
Video and Imaging	<a href="http://www.ti.com/video">www.ti.com/video</a>

### TI E2E Community

[e2e.ti.com](http://e2e.ti.com)