

# DLP2ADN201HL4#

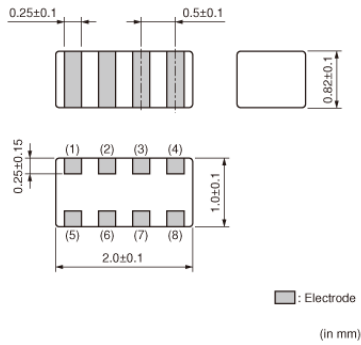
“#” indicates a package specification code.

In Production RoHS REACH

< List of part numbers with package codes >

DLP2ADN201HL4B DLP2ADN201HL4L

## Appearance & Shape



## Packaging Information

| Packaging | Specifications      | Minimum Order Quantity |
|-----------|---------------------|------------------------|
| B         | Bulk(Bag)           | 500                    |
| L         | 180mm Embossed Tape | 3000                   |

## Applications

Other Usage

For general

### Attention

1.This datasheet is downloaded from the website of Murata Manufacturing Co., Ltd. Therefore, it's specifications are subject to change or our products in it may be discontinued without advance notice. Please check with our sales representatives or product engineers before ordering.

2.This datasheet has only typical specifications because there is no space for detailed specifications.

Therefore, please review our product specifications or consult the approval sheet for product specifications before ordering.

# DLP2ADN201HL4#

“#” indicates a package specification code.

## Features

1. 2 components are included in 2.0x1.0mm size
2. Low profile: typ. 0.82mm
3. DLP2AD can suppress common mode noise without damage to signal wave.
4. DLP2AD match with line impedance.
5. DLP2ADA is for high speed differential signal line.  
Cutoff Frequency : 6.0GHz or more

### Applications

Common mode noise suppression of high speed differential signal lines for USB, IEEE1394

LVDS, DVI, HDMI

1. Main board of personal computers, Note PCs
2. Printers, Scanners
3. LCD monitors
4. Game equipment
5. PC peripheral equipment

### Attention

1. This datasheet is downloaded from the website of Murata Manufacturing Co., Ltd. Therefore, its specifications are subject to change or our products in it may be discontinued without advance notice. Please check with our sales representatives or product engineers before ordering.

2. This datasheet has only typical specifications because there is no space for detailed specifications.

Therefore, please review our product specifications or consult the approval sheet for product specifications before ordering.

# DLP2ADN201HL4#

“#” indicates a package specification code.



## Specifications

|   |               |
|---|---------------|
| Shape                                       | SMD           |
| Size Code (in mm)                           | 2010          |
| Size Code (in inch)                         | 0804          |
| Length                                      | 2.0mm         |
| Length Tolerance                            | ±0.1mm        |
| Width                                       | 1.0mm         |
| Width Tolerance                             | ±0.1mm        |
| Thickness                                   | 0.82mm        |
| Thickness Tolerance                         | ±0.1mm        |
| Common Mode Impedance (at 100MHz)           | 200Ω          |
| Common Mode Impedance (at 100MHz) Tolerance | ±20%          |
| Rated Current                               | 90mA          |
| Derating of Rated Current                   | No            |
| Rated Voltage                               | 5Vdc          |
| Withstanding Voltage                        | 12.5Vdc       |
| DC Resistance(max.)                         | 4Ω            |
| DC Resistance                               | 3.2Ω±25%      |
| Insulation Resistance(min.)                 | 100MΩ         |
| Operating Temperature Range                 | -40°C to 85°C |
| Mass(typ.)                                  | 0.009g        |
| Number of Circuit                           | 2             |

|  |    |
|--|----|
| Operating Temperature Range(Self-temperature rise is included) | No |
|--|----|

### Attention

1.This datasheet is downloaded from the website of Murata Manufacturing Co., Ltd. Therefore, it's specifications are subject to change or our products in it may be discontinued without advance notice. Please check with our sales representatives or product engineers before ordering.

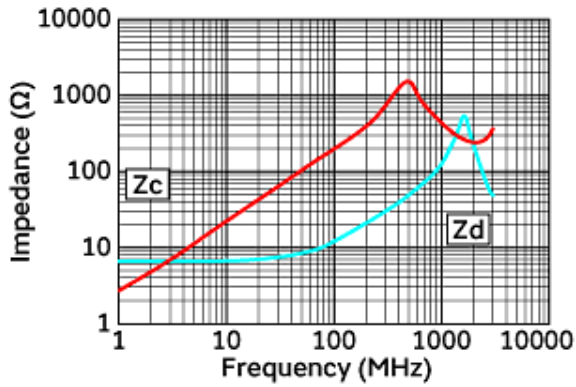
2.This datasheet has only typical specifications because there is no space for detailed specifications.

Therefore, please review our product specifications or consult the approval sheet for product specifications before ordering.

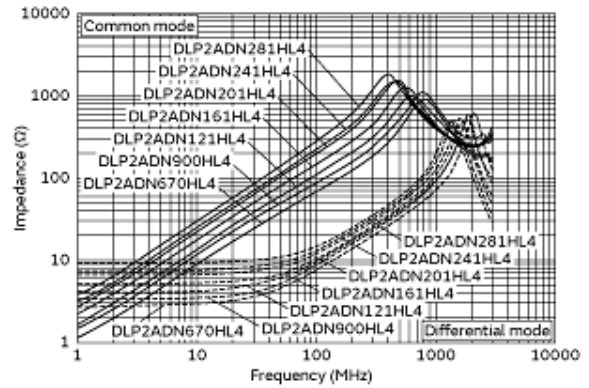
# DLP2ADN201HL4#

“#” indicates a package specification code.

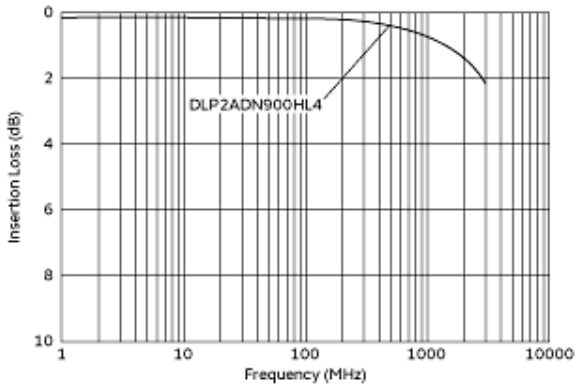
## Product Data



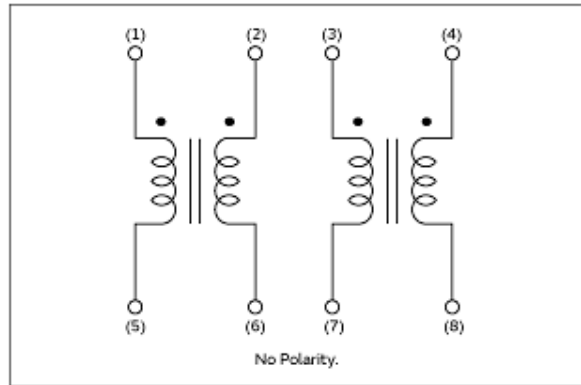
Impedance-Frequency Characteristics



Impedance-Frequency Characteristics (Main Items)



Differential Mode Transmission Characteristics (Typical Value)



Equivalent Circuit

**Attention**

- 1.This datasheet is downloaded from the website of Murata Manufacturing Co., Ltd. Therefore, it's specifications are subject to change or our products in it may be discontinued without advance notice. Please check with our sales representatives or product engineers before ordering.
  - 2.This datasheet has only typical specifications because there is no space for detailed specifications.
- Therefore, please review our product specifications or consult the approval sheet for product specifications before ordering.