

DLP0NSC280HL2#

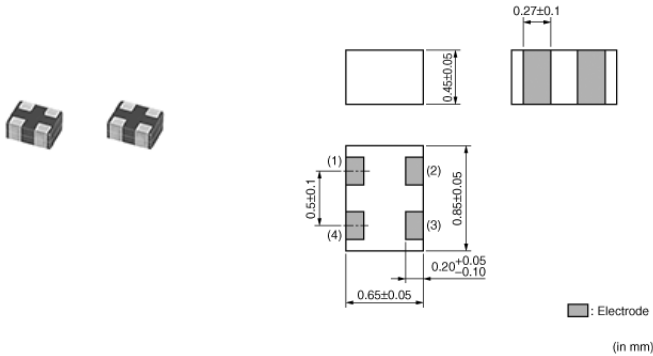
“#” indicates a package specification code.



< List of part numbers with package codes >

DLP0NSC280HL2L DLP0NSC280HL2B

Appearance & Shape



Features

(DLP0NS Series)

1. Small size and tight dimensional tolerance
Size:0.85x0.65x0.45mm
Tolerance:±0.05mm
2. DLP0NS series enables noise suppression for differential signal line without distortion in high-speed signal transmission due to its line impedance matching.
3. High Cut-off Frequency.(DLP0NSA150HL2 8GHz typ.)

Application

Common mode noise suppression of high speed differential signal lines for USB 2.0, IEEE1394, LVDS etc.

1. Note PCs
2. Cellular phones
3. Digital Still Cameras, Digital Video Cameras
4. Designed to match signal line characteristic impedance
※ DLP0NSC280HL2/DLP0NSC900HL2 is designed to meet mipi D-phy.
※ DLP0NSA150HL2 is designed to meet Display Port.
※ DLP0NSA070HL2 is designed to meet SI requirement of SATA.

Applications

Other Usage	For general
-------------	-------------

Packaging Information

Packaging	Specifications	Minimum Order Quantity
L	180mm Embossed Tape	10000
B	Bulk(Bag)	500

Attention

- 1.This datasheet is downloaded from the website of Murata Manufacturing Co., Ltd. Therefore, it's specifications are subject to change or our products in it may be discontinued without advance notice. Please check with our sales representatives or product engineers before ordering.
- 2.This datasheet has only typical specifications because there is no space for detailed specifications.
Therefore, please review our product specifications or consult the approval sheet for product specifications before ordering.

DLP0NSC280HL2#

“#” indicates a package specification code.



Specifications

Shape	SMD	Insulation Resistance(min.)	100MΩ
Size Code (in mm)	0806	Operating Temperature Range	-40°C to 85°C
Size Code (in inch)	03025	Mass(typ.)	0.001g
Length	0.85mm	Number of Circuit	1
Length Tolerance	±0.05mm	Operating Temperature Range(Self-temperature rise is included)	No
Width	0.65mm		
Width Tolerance	±0.05mm		
Thickness	0.45mm		
Thickness Tolerance	±0.05mm		
Common Mode Impedance (at 100MHz)	28Ω		
Common Mode Impedance (at 100MHz) Tolerance	±20%		
Rated Current	100mA		
Derating of Rated Current	No		
Rated Voltage	5Vdc		
Withstanding Voltage	12.5Vdc		
DC Resistance(max.)	1.63Ω		
DC Resistance	1.3Ω±25%		

Attention

1.This datasheet is downloaded from the website of Murata Manufacturing Co., Ltd. Therefore, it's specifications are subject to change or our products in it may be discontinued without advance notice. Please check with our sales representatives or product engineers before ordering.

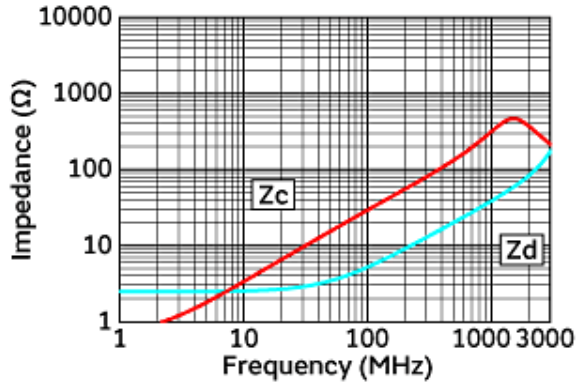
2.This datasheet has only typical specifications because there is no space for detailed specifications.

Therefore, please review our product specifications or consult the approval sheet for product specifications before ordering.

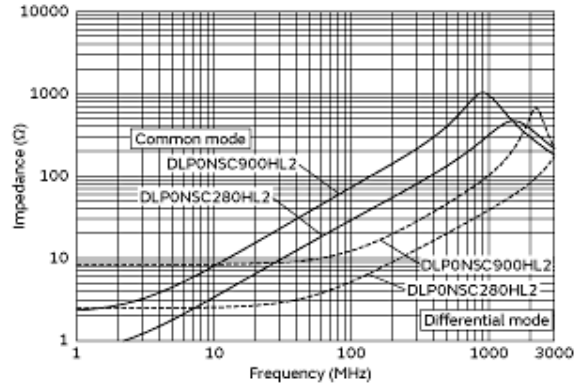
DLP0NSC280HL2#

“#” indicates a package specification code.

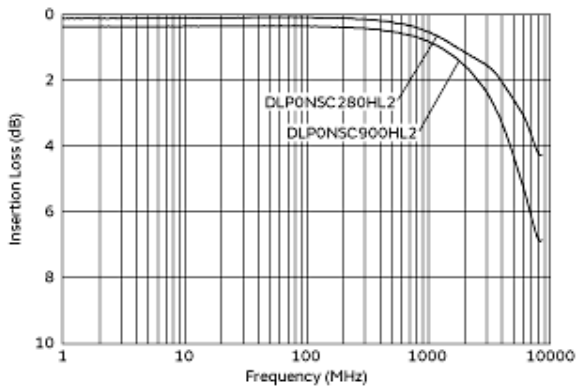
Product Data



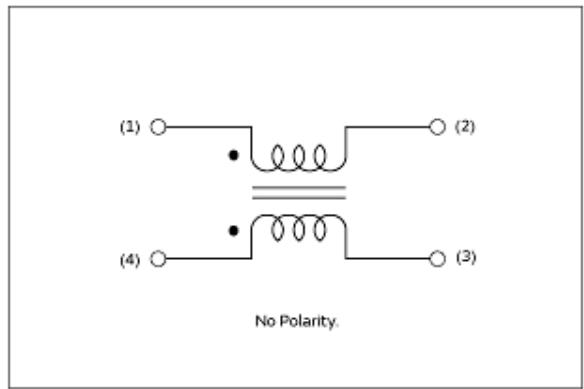
Impedance-Frequency Characteristics



Impedance-Frequency Characteristics (Main Items)



Differential Mode Transmission Characteristics (Typical Value)



Equivalent Circuit

Attention
1.This datasheet is downloaded from the website of Murata Manufacturing Co., Ltd. Therefore, it's specifications are subject to change or our products in it may be discontinued without advance notice. Please check with our sales representatives or product engineers before ordering.
2.This datasheet has only typical specifications because there is no space for detailed specifications.
Therefore, please review our product specifications or consult the approval sheet for product specifications before ordering.