



## TIMING RELAY

Part no.

**DILET11-30-A**

Article no.

**048878**



Powering Business Worldwide™

On-delayed

### Program

Range			DILET timing relay, 45 mm wide
Basic function			Timer relays
Function			On-delayed
Rated operational current AC-11			
230 V	$I_e$	A	3
400 V	$I_e$	A	3
Conventional thermal current	$I_{th}$	A	6
Time range			1.5 - 30 s
Voltage range	$U_{LN}$	V	24 - 240 V AC, 50/60 Hz 24 - 240 V DC
Terminal marking according to EN 50042			

### Approbationen

UL approval	Yes
CSA approval	Yes
Product Standards	IEC/EN 61812-1; IEC/EN 60947-5-1; UL 508; CSA-22.2 No. 14-05; CE marking
UL File No.	E29184
UL CCN	NKCR, NKCR7
CSA File No.	12528
CSA Class No.	3211-03
NA Certification	UL listed, CSA certified
Degree of Protection	IEC: IP20, UL/CSA Type: -

### General

Standards			Standard IEC/EN 61812 VDE 0435
Lifespan, mechanical			
AC operated	Operations	$x 10^6$	30
DC operated	Operations	$x 10^6$	30
Climatic proofing			Damp heat, constant to IEC 60068-2-78 Damp heat, cyclic to IEC 60068-2-30
Ambient temperature		°C	
Open		°C	- 20 - 60
Enclosed		°C	- 20 - 45
Mounting position			As required
Mechanical shock resistance (IEC/EN 60068-2-27)			
Half-sinusoidal shock, 20 ms		g	
Make contact		g	4
Degree of protection			
Terminals			IP20
Weight		kg	0.09
Terminal capacities		mm <sup>2</sup>	
Solid		mm <sup>2</sup>	1 x (0.75 - 2.5) 2 x (0.75 - 2.5)
Flexible with ferrule		mm <sup>2</sup>	1 x (0.75 - 1.5) 2 x (0.75 - 1.5)
Solid or stranded		AWG	1 x (18 - 14)

### Contacts

Rated impulse withstand voltage	$U_{imp}$	V AC	6000
Overvoltage category/pollution degree			III/2
Rated insulation voltage	$U_i$	V AC	600
Rated operational voltage	$U_e$	V AC	440
Safe isolation to VDE 0106 Part 101 and Part 101/A1			
between coil and auxiliary contacts		V AC	250
between the auxiliary contacts		V AC	250
Making capacity			
AC-14 $\cos \varphi = 0.3$ 440 V		A	48
AC-15 $\cos \varphi = 0.3$ 220 V		A	50
DC-11 L/R - 40 ms		$x I_e$	1.1
Breaking capacity			
AC-14 $\cos \varphi = 0.3$ 440 V		A	3
AC-15 $\cos \varphi = 0.3$ 220 V		A	3
DC-11 L/R - 40 ms		$x I_e$	1.1
Rated operational current	$I_e$	A	
AC--14			
440 V	$I_e$	A	3
AC-15			
220 V (230 V)	$I_e$	A	3
DC-11			
Note			Making and breaking conditions to DC13, time constant as stated
L/R max. 15 ms		A	
24 V	$I_e$	A	1.5
L/R max. 50 ms		A	1.2
Conv. thermal current	$I_{th}$	A	6
Short-circuit rating without welding			
Note			When supplied directly from mains or transformer > 1000 VA
Max. fuse, make contacts		A gG/ gL	6
Max. fuse, break contacts		A gG/ gL	6

## Magnet systems

Rated operational voltage	$U_e$	V	
AC			24 - 240
DC			24 - 240
Rated frequency AC		Hz	47 - 63
Tolerance AC operated min.		$x U_c$	0.85
Tolerance AC operated max.		$x U_c$	1.1
Tolerance DC operated min.		$x U_c$	0.7
Tolerance DC operated max.		$x U_c$	1.1
Voltage tolerance		$x U_c$	
Pick-up voltage		$x U_s$	
Min. pick-up voltage, AC operated		$x U_c$	0.85
Pick-up voltage AC operated, max.		$x U_c$	1.1
Pick-up voltage DC operated, min.		$x U_c$	0.7
Max. pick-up voltage, DC operated		$x U_c$	1.1
Power consumption			
Pick-up AC		VA	2
Sealing AC		VA	2

Pick-up DC		W	1.8
Sealing DC		W	1.8
Duty factor		% DF	100
Maximum operating frequency		Ops/ h	4000
Minimum command time			
AC		ms	50
DC		ms	30
Repetition accuracy (deviation)		%	$\pm 0.5$
Recovery time (after 100% time delay)		ms	70

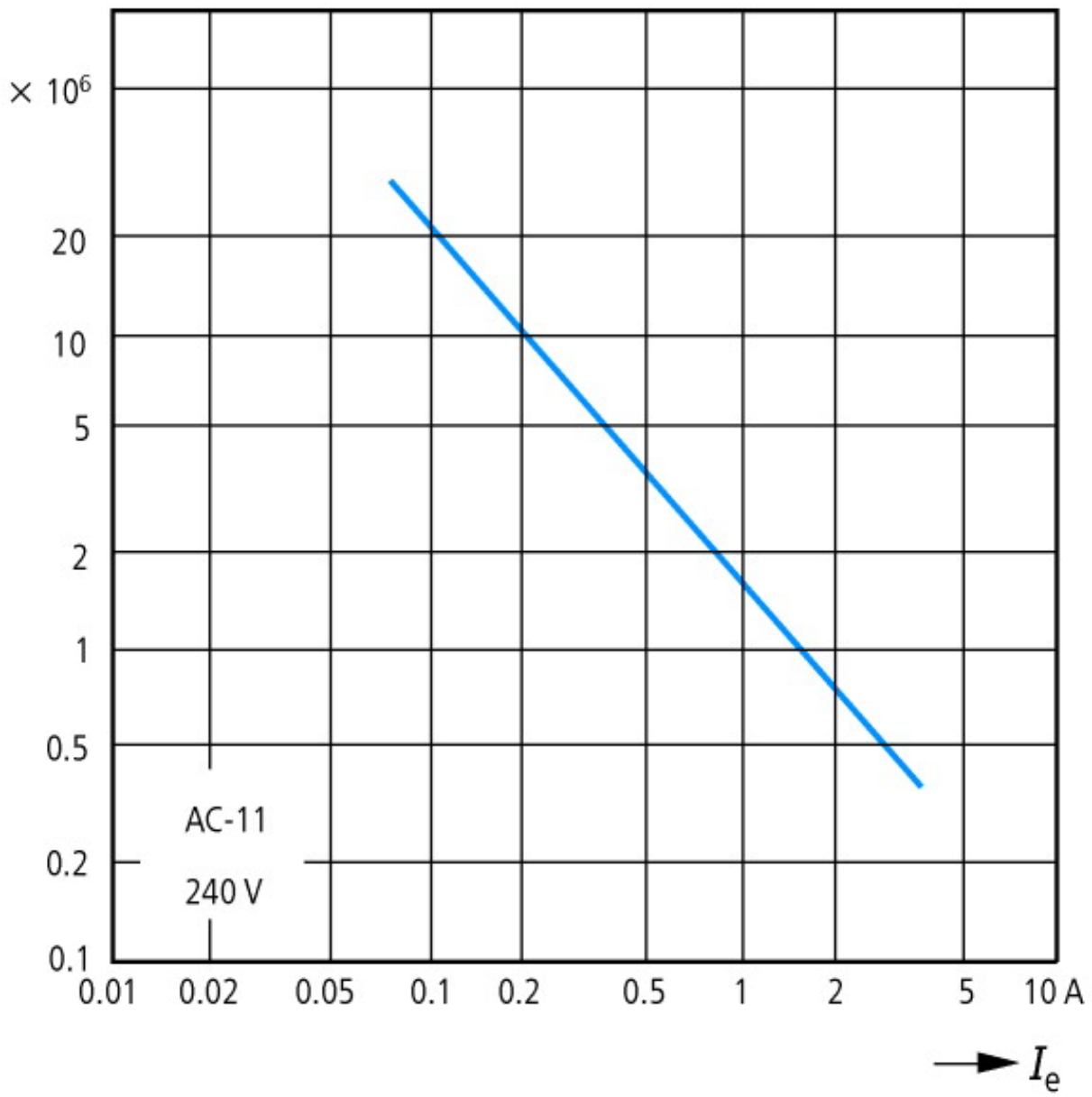
### Electromagnetic compatibility (EMC)

Air discharge		kV	8
Contact discharge		kV	6
Electromagnetic fields (IEC/EN 61000-4-3, RFI)		V/m	10
Radio interference suppression (EN 55011)			EN 55011 Class A
Burst Impulse (IEC/EN 61000-4-4, Level 3)			2
power pulses (surge) (IEC/EN 61000-4-5, level 2)		kV	1
Immunity to line-conducted interference to (IEC/EN 61000-4-6)		V	10

### Technical data according to ETIM 4.0

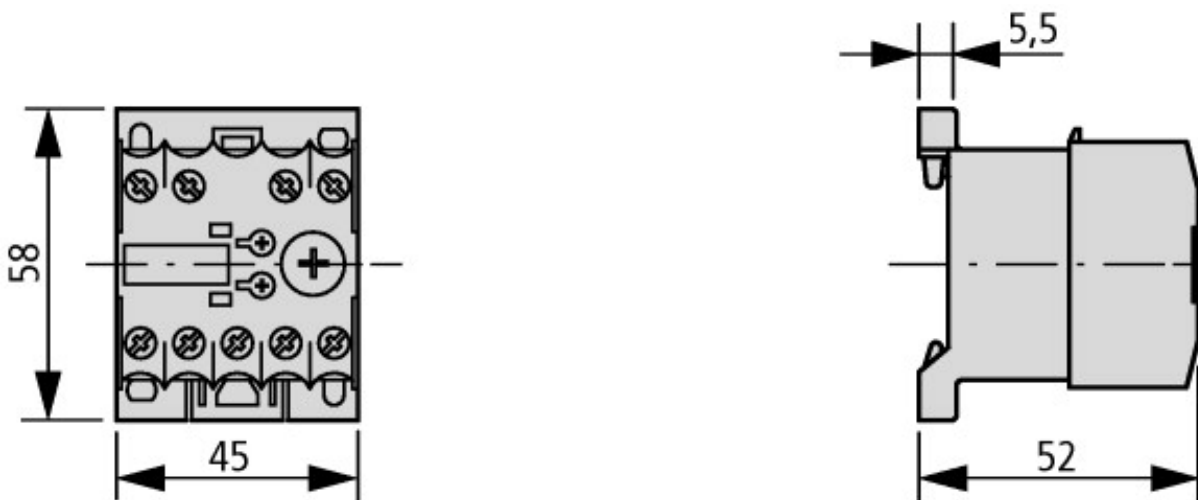
Number of outputs, delayed, N/O			0
Remote access possible			No
Number of outputs, non-delayed, N/O			0
Function off-delayed			No
Outputs, reversible delayed/non-delayed			No
Type of electric connection			Screw connection
Number of outputs, non-delayed, N/C			0
Rated control voltage Us at DC		V	240
Clock function, starting with pulse, variable			No
Voltage type for actuation			AC/DC
Function flashing, starting with pulse, fixed time			No
Function pulse shaping			No
Rated control voltage Us at AC 50HZ		V	240
Time range		s	30
Number of outputs, non-delayed, change-over contact			0
With semi-conductor output			No
Suitable only for remote control			No
Function flashing starting with pause, fixed time			No
Plug-in type on auxiliary contact block			No
Width		mm	45
With plug-in socket			No
Function fleeting contact on energization			No
Function star/delta			No
Rated control voltage Us at AC 60HZ		V	240
Function fleeting contact on de-energization			No
Function on-delayed			YES
Height		mm	58
Depth		mm	52
Function cyclic starting with pause, variable			No
Number of outputs, delayed, N/C			0
Number of outputs, delayed, changeover contact			1

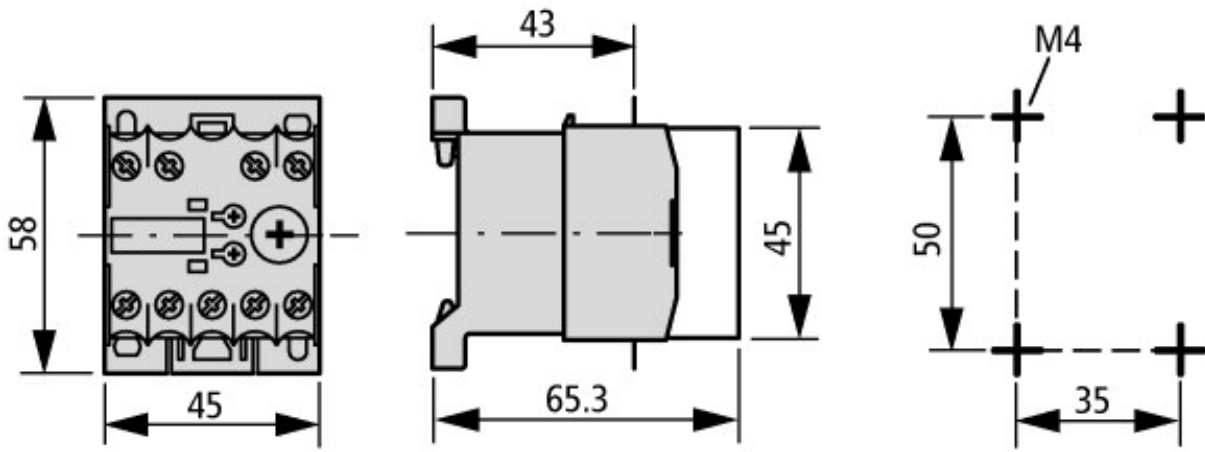
### Characteristics



Component lifespan (operations)  
 $I_e$  = Rated operational current

### Dimensions





Electronic timing relay with sealable shroud  
DILET... + HDILE

**Additional product information (links)**

IL04910003Z (IL04910003Z) Solid-state timing relay

[ftp://ftp.moeller.net/DOCUMENTATION/AWA\\_INSTRUCTIONS/IL04910003Z2010\\_10.pdf](ftp://ftp.moeller.net/DOCUMENTATION/AWA_INSTRUCTIONS/IL04910003Z2010_10.pdf)