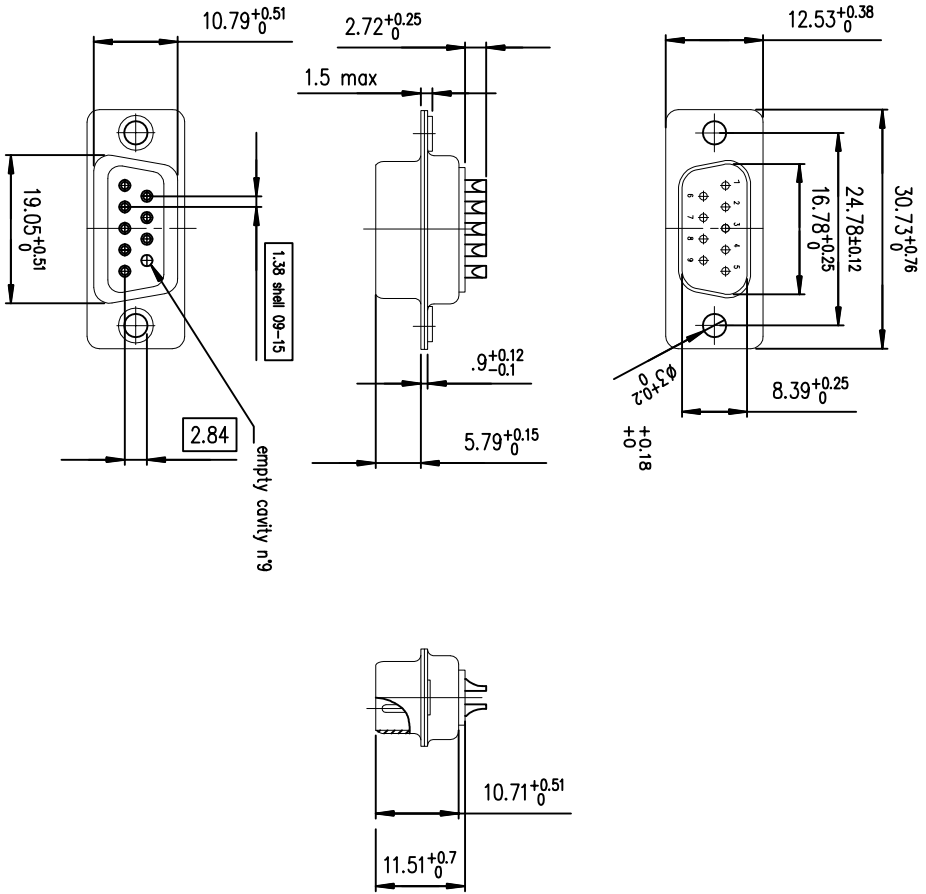


PRODUCT NUMBER  
DEM09PSP280



**ELECTRICAL DATA**

- I max 7.5A
- Contact resistance  $< 7.3m\Omega$
- Insulation resistance  $> 5000M\Omega$
- TEST VOLTAGE
- contact/contact  $> 1000V$
- contact/ground  $> 1200V$

**MECHANICAL DATA**

- Contact force  $> 0.20N$
- Retention force  $> 40N$
- Insertion force according to DIN41652 Part 2
- Withdrawal force according to DIN41652 Part 2
- Mechanical endurance 500 matings / unmatings
- Material shell steel
- Material insulator glass filled thermoplastic UL94V0
- Material contacts pin:brass.
- Finish on contact area gold over nickel
- Finish on termination end gold over nickel

**ENVIRONMENTAL DATA**

- Climatic category  $-55^{\circ} / +125^{\circ} / 56$
- Corrosion salt spray: 48h

European Views

www.fciconnect.com		surface	ISO 1302	tolerance std	projection	Scale
Dr	M PESSON	2005/10/24	ANGULAR	ISO 406 ISO 1101		1.5
Eng	P LEGARE	2005/10/24	LINEAR	0.xx	A3	LS06-0097
Chr	-	-	0.xx	±0.1	ECN	-
Appr	-	-	0.xxx	±0.1	D-SUB	Spec ref -

title	MALE CONNECTOR SP280	dwg no	C01-8637-1663	Rev.	G
with solder bucket		catalog no			

rev	ech no	dr	date
A	-	MPE	2005/10/24
B	-	MPE	2005/11/21
C	-	MPE	2005/12/19
D	-	MPE	2005/01/04
E	LS06-0007	MPE	2006/01/09
F	LS06-0097	LGO	2006/07/27
G	FT10-0021	LSA	2010/03/25

Copyright FCI.

