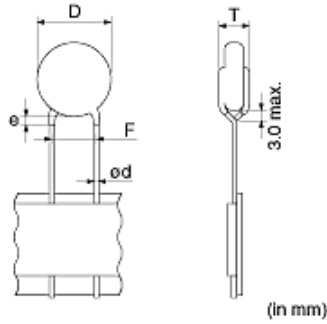


DE1E3RA472MN4AQ01F



Appearance & Shape



References

Packaging	Specifications	Minimum Order Quantity
A	Ammo Pack	500

Notices

X1/Y1 Class Certified Products, Halogen-free Products,
Rated Voltage : AC500V,DC1.5kV

Attention
1.This datasheet is downloaded from the website of Murata Manufacturing Co., Ltd. Therefore, it's specifications are subject to change or our products in it may be discontinued without advance notice. Please check with our sales representatives or product engineers before ordering.
2.This datasheet has only typical specifications because there is no space for detailed specifications.
Therefore, please review our product specifications or consult the approval sheet for product specifications before ordering.

DE1E3RA472MN4AQ01F

Specifications

L size or Outer diameter D	14.0mm max.
T size	6.0mm max.
Lead spacing F	10.0±1.0mm
Lead diameter d	0.6±0.05mm
Paint dripping e	Up to the end of crimp
Capacitance	4700pF ±20%
Rated voltage	500Vac(r.m.s.)
Temperature characteristics	E(JIS)
Capacitance change rate	+20/-55%
Temperature range of temperature characteristics	-25°C to 85°C
Operating Temperature Range	-40°C to 125°C

Attention

1.This datasheet is downloaded from the website of Murata Manufacturing Co., Ltd. Therefore, it's specifications are subject to change or our products in it may be discontinued without advance notice. Please check with our sales representatives or product engineers before ordering.

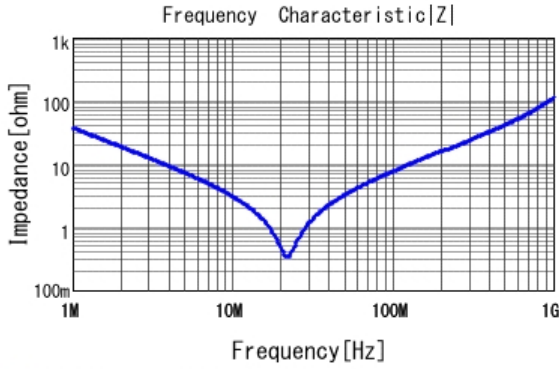
2.This datasheet has only typical specifications because there is no space for detailed specifications.

Therefore, please review our product specifications or consult the approval sheet for product specifications before ordering.

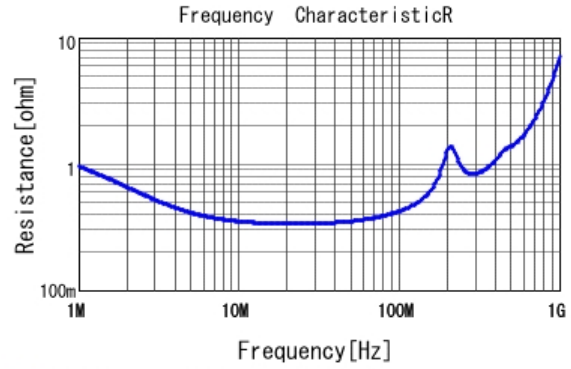
DE1E3RA472MN4AQ01F

Characteristic Data

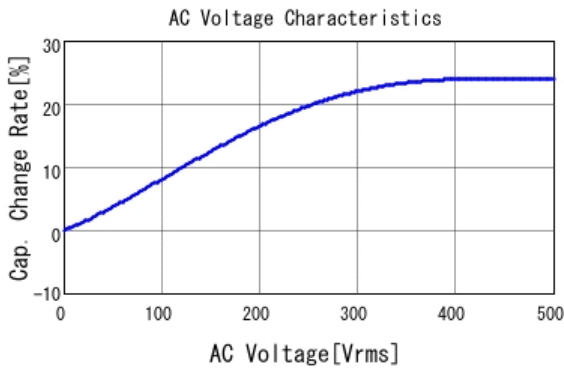
The charts below may show another part number which shares its characteristics.



■ DE1E3RA472MN4AQ01F |Z| DCOV, 20degC



■ DE1E3RA472MN4AQ01F R DCOV, 20degC



■ DE1E3RA472MN4AQ01F C-AC Voltage capchange, DCOV, 20.0



■ DE1E3RA472MN4AQ01F C-Temp. capchange, DCOV, AC1Vrms

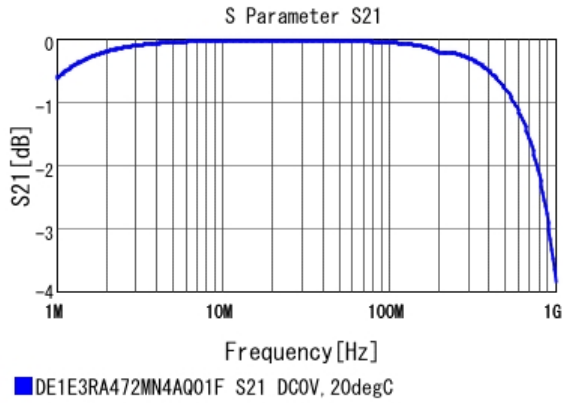
Attention

1.This datasheet is downloaded from the website of Murata Manufacturing Co., Ltd. Therefore, it's specifications are subject to change or our products in it may be discontinued without advance notice. Please check with our sales representatives or product engineers before ordering.

2.This datasheet has only typical specifications because there is no space for detailed specifications.

Therefore, please review our product specifications or consult the approval sheet for product specifications before ordering.

DE1E3RA472MN4AQ01F



Attention

- 1.This datasheet is downloaded from the website of Murata Manufacturing Co., Ltd. Therefore, it's specifications are subject to change or our products in it may be discontinued without advance notice. Please check with our sales representatives or product engineers before ordering.
 - 2.This datasheet has only typical specifications because there is no space for detailed specifications.
- Therefore, please review our product specifications or consult the approval sheet for product specifications before ordering.