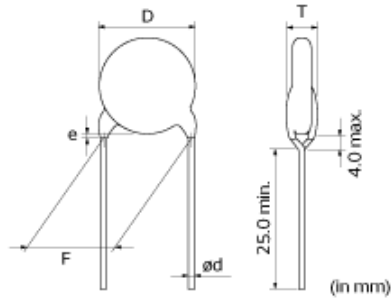


# DE1E3KX222MA5BA01



## Appearance & Shape



## Notices

X1/Y1 Class Certified Products Please use alternative

## References

Packaging	Specifications	Minimum Order Quantity
B	Bulk(Bag)	100

### Attention

- 1.This datasheet is downloaded from the website of Murata Manufacturing Co., Ltd. Therefore, it's specifications are subject to change or our products in it may be discontinued without advance notice. Please check with our sales representatives or product engineers before ordering.
  - 2.This datasheet has only typical specifications because there is no space for detailed specifications.
- Therefore, please review our product specifications or consult the approval sheet for product specifications before ordering.

# DE1E3KX222MA5BA01

## Specifications

L size or Outer diameter D	10.0mm max.
T size	8.0mm max.
Lead spacing F	10.0±1.0mm
Lead diameter d	0.6+0.1/-0.05mm
Paint dripping e	Up to the end of crimp
Capacitance	2200pF ±20%
Rated voltage	250Vac(r.m.s.)
Temperature characteristics	E(JIS)
Capacitance change rate	+20/-55%
Temperature range of temperature characteristics	-25°C to 85°C
Operating Temperature Range	-40°C to 125°C

### Attention

1.This datasheet is downloaded from the website of Murata Manufacturing Co., Ltd. Therefore, it's specifications are subject to change or our products in it may be discontinued without advance notice. Please check with our sales representatives or product engineers before ordering.

2.This datasheet has only typical specifications because there is no space for detailed specifications.

Therefore, please review our product specifications or consult the approval sheet for product specifications before ordering.