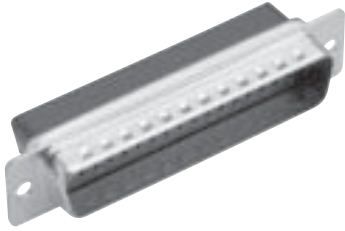


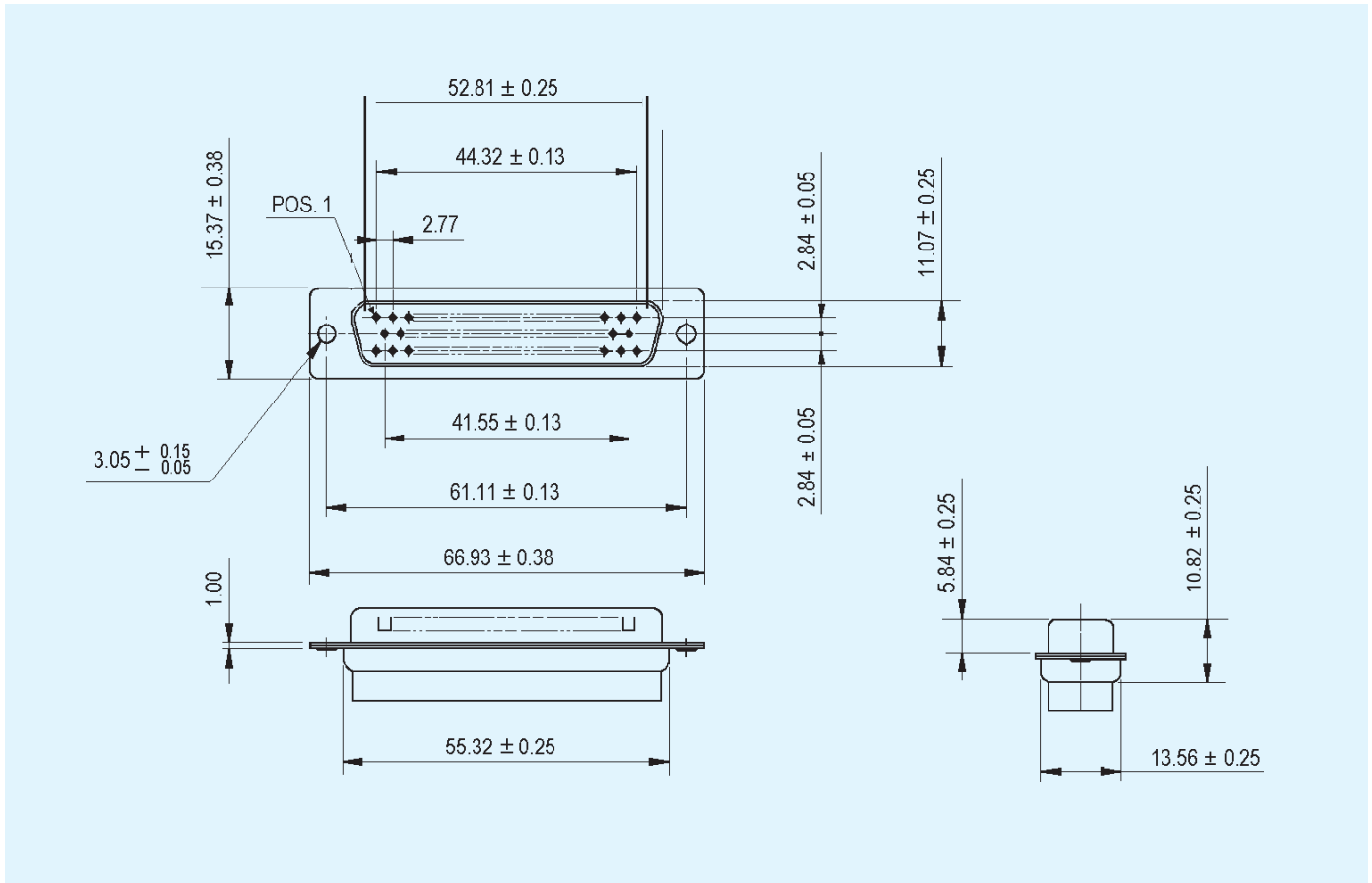
Plug 50 contacts



Designation

Shell size / Arrangement	Through hole	Rivnut thread 4-40	Screwlock thread 4-40
D / 50	DDA50P-K87-FO	DDAE50P-K87-FO	DDAE50P-K87-AB-FO

Connectors supplied without contacts



- Reeled contacts see page 39
- Mounting options see page 44
- Panel cutouts see page 45
- Accessories see page 35, 36, 37, 38