

TOP > Product Search > [DD2B040HA2R500](#)

Product List

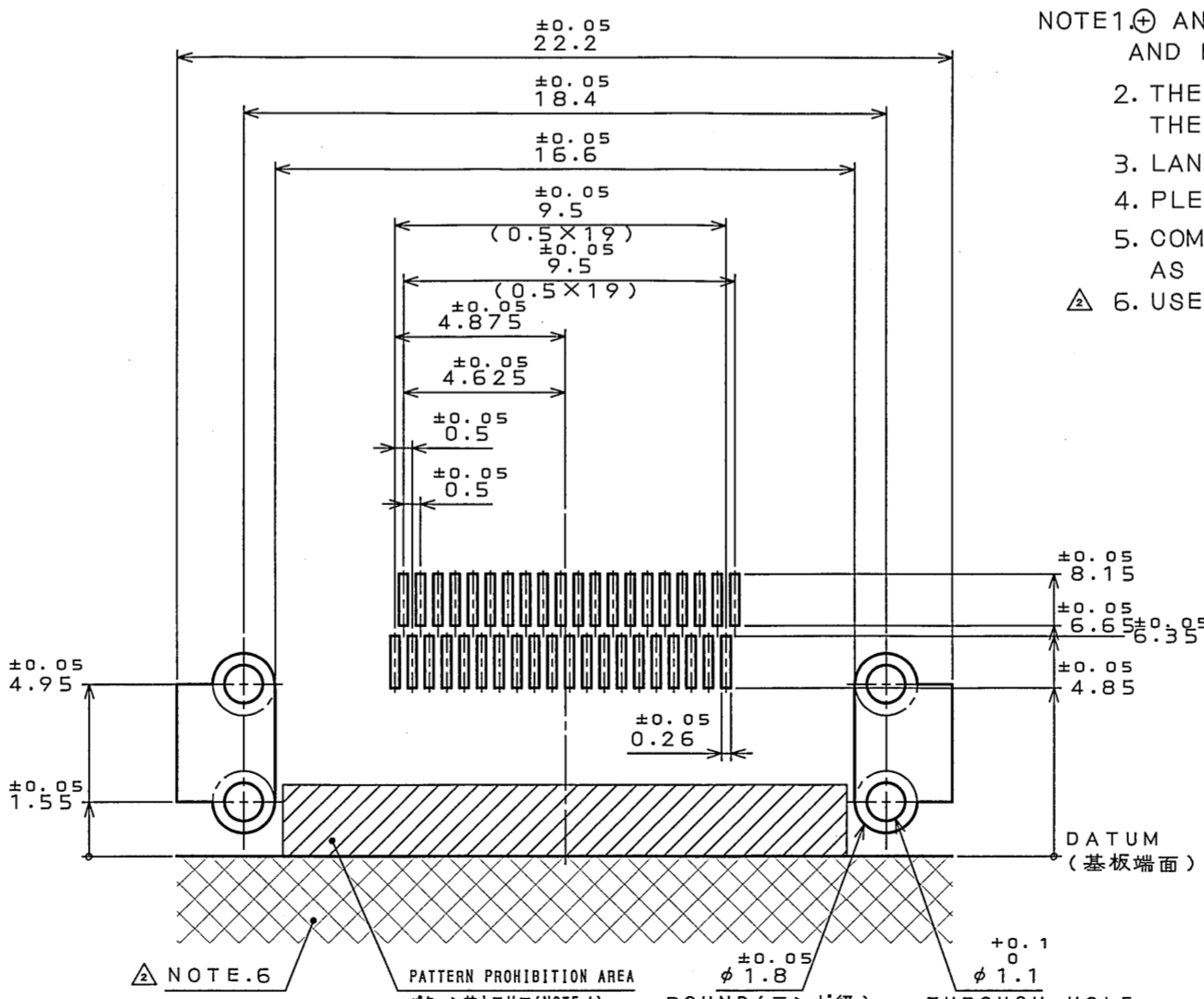
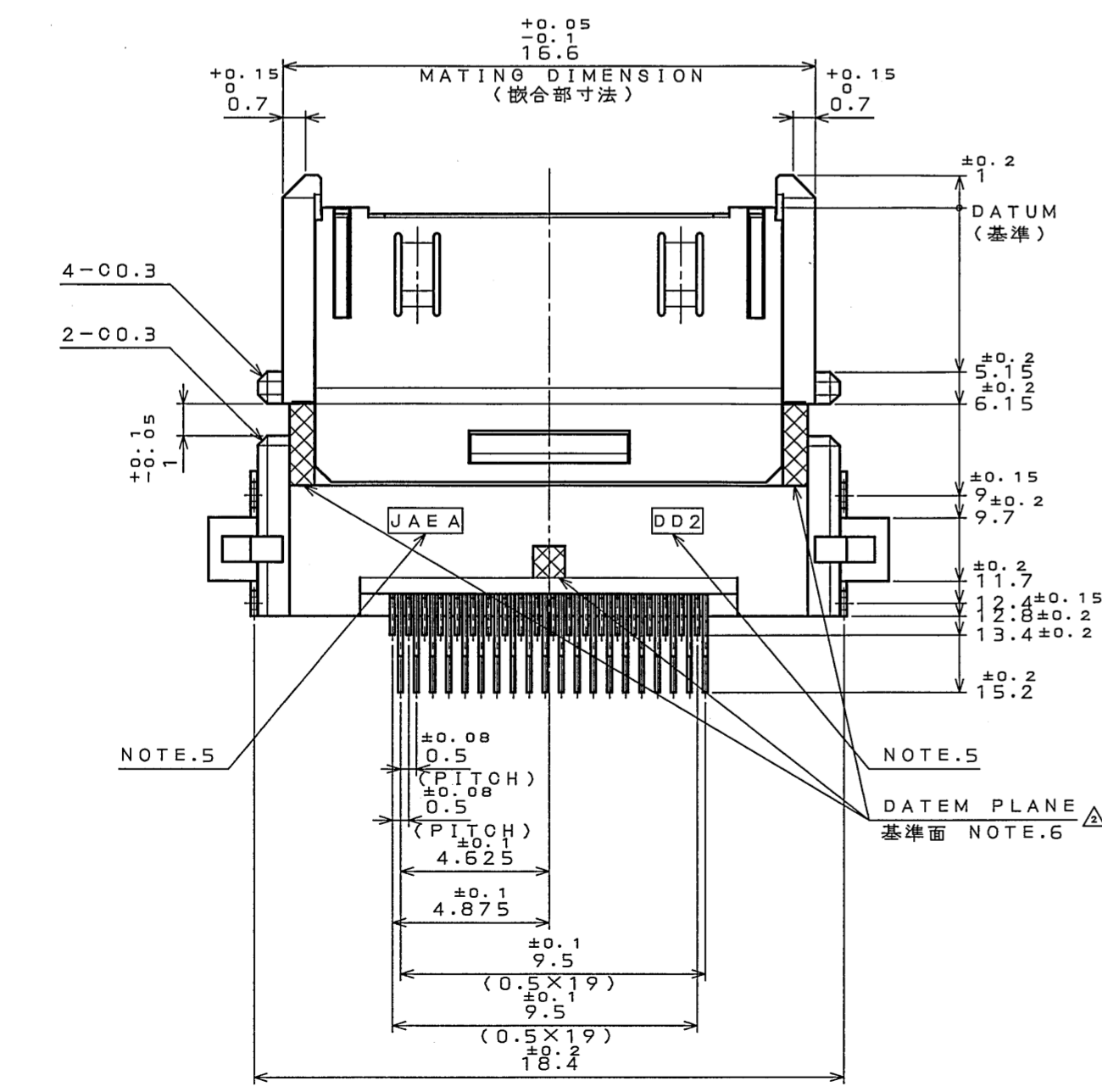
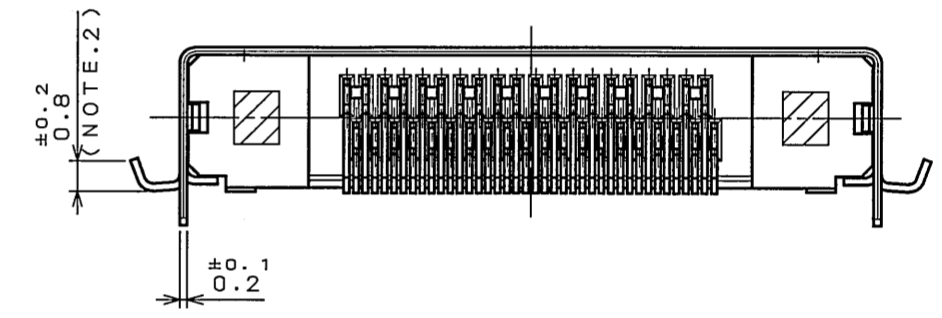
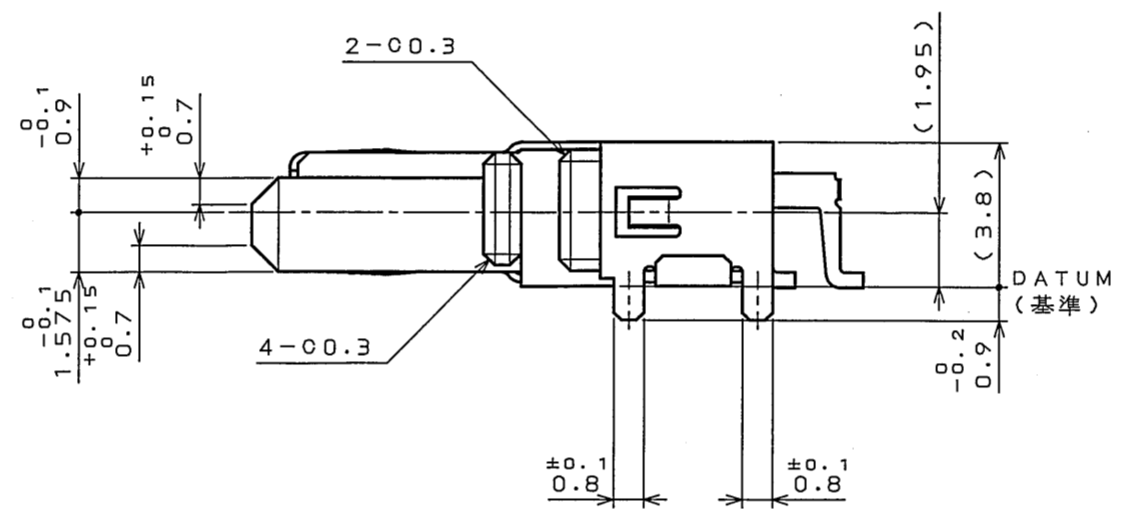
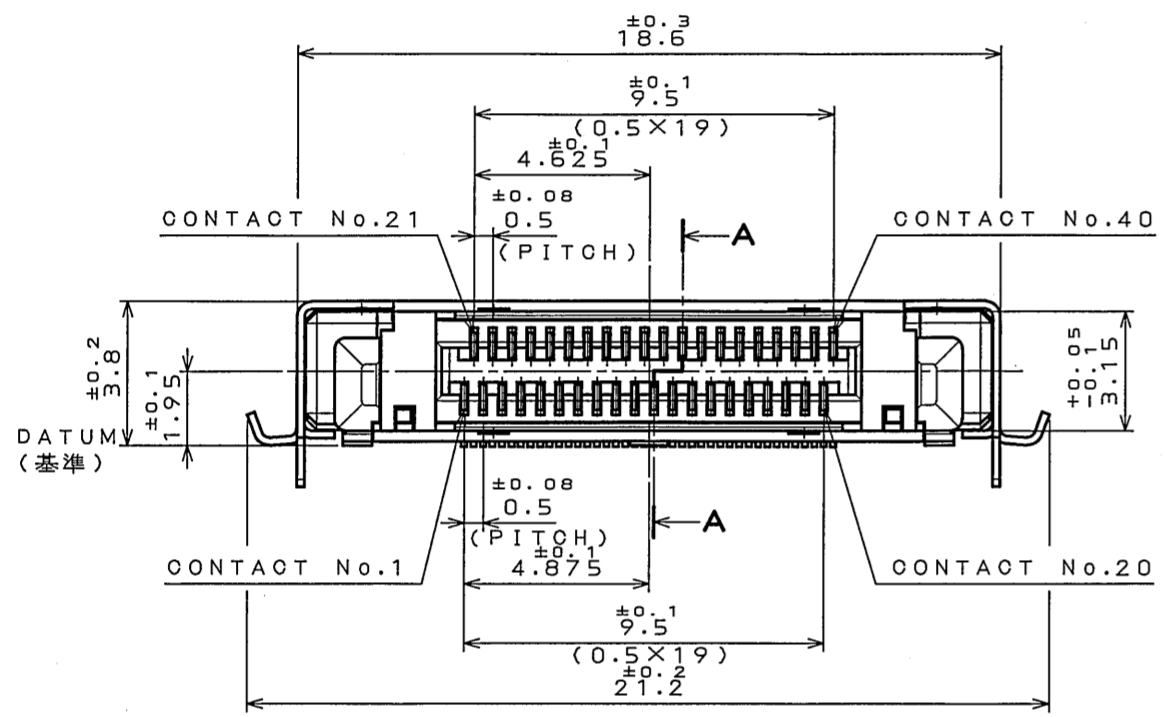
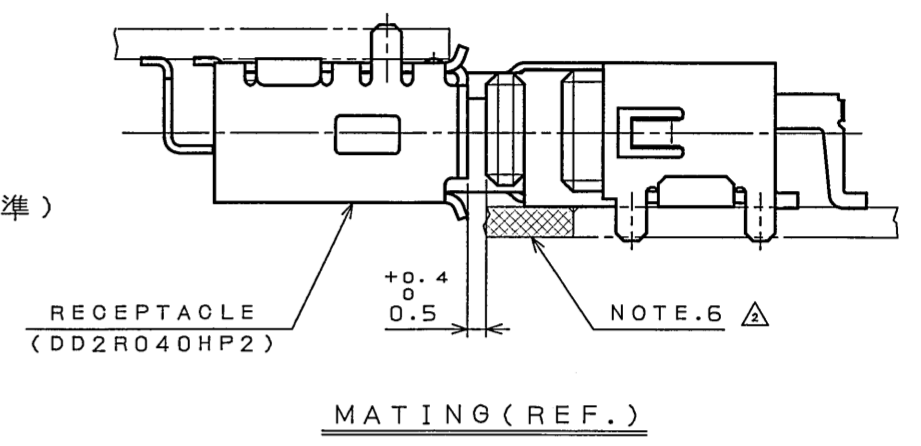
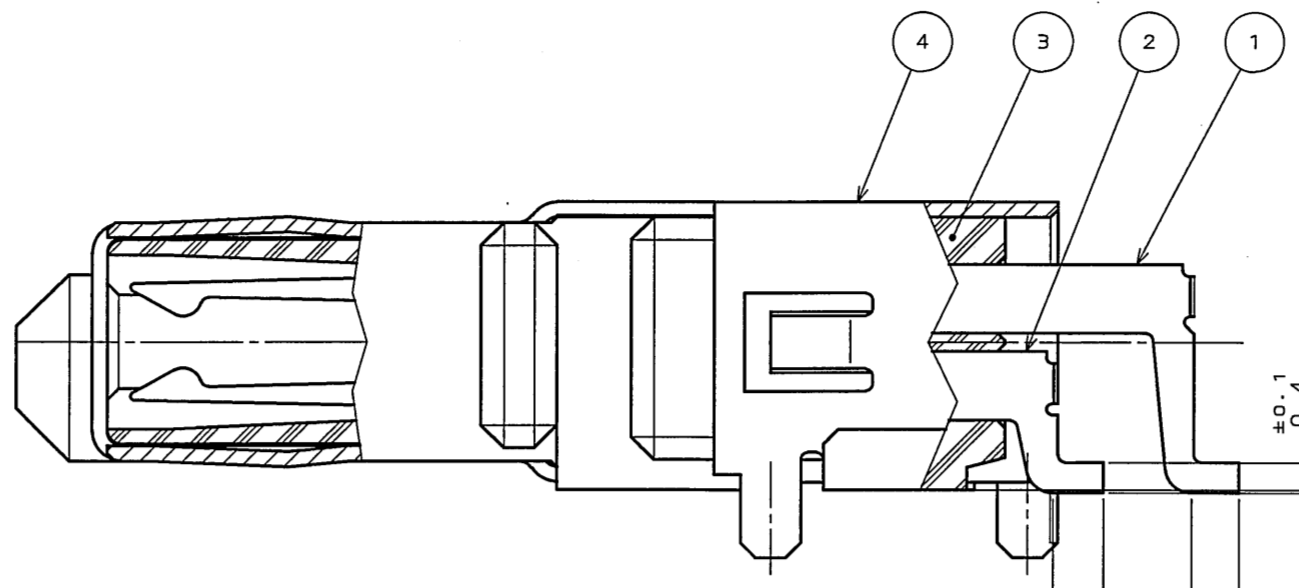
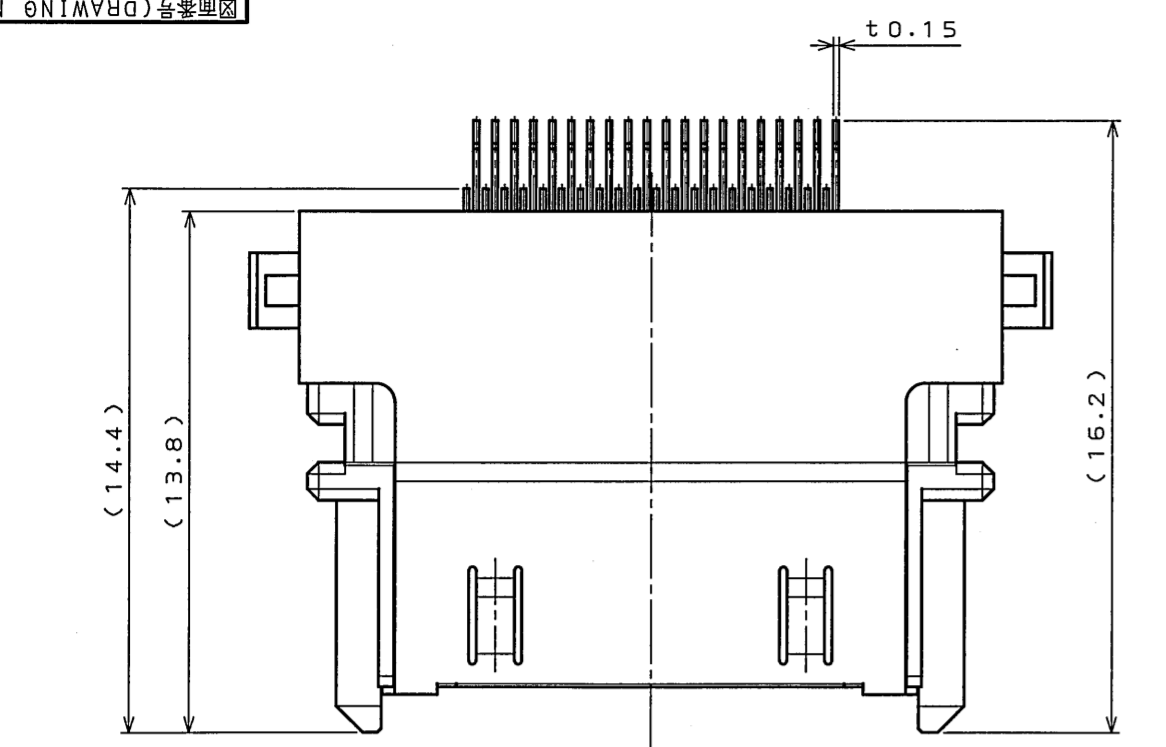
Product Name	DD2B040HA2R500
Series Name	DD2 Series
Number of positions	40
Connector type	Cradle
PCB orientation	Right angle
SMD flag	TRUE
PCB mounting method	Soldering
Wire termination method	-
Material of contact	Copper alloy
Finish of contact in contact area	Gold over Nickel
Finish of contact in PCB mounting area	Gold flash over Nickel
Finish of contact in terminal area	
Remarks	Package in embossed tape (500 pieces/reel)
Related Documents	DWG 136Kbytes
	DWG 241Kbytes
Pair	DD2R040HP2R1000

Notice:

1. The values specified in this web site are only for reference. The products and their specifications are subject to change without notice. Contact our sales staff for further information before considering or ordering any of our products.
For purchase, a product specification must be agreed upon.
2. Users are requested to provide protection circuits and redundancy circuits to ensure safety of the equipment, and sufficiently review the suitability of JAE's products to the equipment.
3. The products presented in this web site are designed for the uses recommended below. We strongly suggest you contact our sales staff when considering use of any of the products in any other way than the recommended applications or for a specific use that requires an extremely high reliability.

(1) Applications that require consultation:

REV.	DATE	DGN NO.	DESCRIPTION	DR.	CHK.	APPD.	APPD.
2	30.Jun.2004	055150	CORRECT AN ERROR ETO		Y.SATOU		H. Amemiya



NOTE1 ⊕ AND ⊙ DENOTE ARE DIPECTION OF SMT TOLERANCE DIMENSION IS 0^{-0.15} AND DEVIATION (DIMENSION BETWEEN MINUS VALUE & PLUS VALUE) SHALL BE 0.1 MAX.
 2. THE HOLD-DOWN SHALL BE INSIDE THE INSULATOR JUDGING THE LOWEST CONTACT POSITION. THE COPLANARITY AMONG THE HOLD-DOWNS AND CONTACTS SHALL BE 0.1 MAX.
 3. LAND MARK BOTH SIDES OF P. C. B. HOLE IS THROUGH HOLE PLATED.
 4. PLEASE NO PATTERNING IN SLANT AREA.
 5. COMPANY LOGO "JAE" AND CAVITY NUMBER "A OR B" AND PART NUMBER "DD1" ARE MARKED AS INDICATED.
 △ 6. USE JIG OR DISPOSABLE BACKUP BOARD FOR DATUM PLANE (3 AREA) RETENTION.

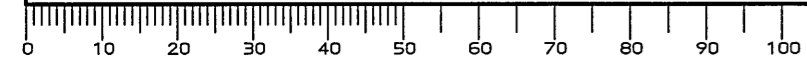
注1. SMT公差部のプラス、マイナスの方向を示す。端子寸法は 0^{-0.15} であり、公差内におけるバラつき (1コネクタ内のMAX値とMIN値の差)は0.1以下とする。
 2. ホールドダウンは、コンタクトの基板側最下位置を基準にインシュレータ側にあるものとし、コンタクトを含めたバラツキは0.1以下とする。
 3. ランドは基板の両側に設けること。また、スルーホールの穴はスルーホールメッキであること。
 4. 図に示す範囲(斜線部 コンタクト下部)をパターン禁止領域とする。
 5. 図示の位置に社標 "JAE"、キャビ番号 "A又はB"及び品名 "DD2" を表示する。
 △ 6. リフロー時は、基準面(3ヶ所)を治具または捨て基板にて保持すること。

NO.	DESCRIPTION	QTY.	MATERIAL	仕上 FINISH	備考 REMARKS
4	SHELL	1	STAINLESS STEEL	NICKEL PLATING THROUGH HOLE AREA:TIN PLATING	
3	INSULATOR	1	SYNTHETIC RESIN △	(BLACK)	UL94V-0
2	CONTACT 2	20	COPPER ALLOY	CONTACT AREA:GOLD PLATING OVER NICKEL SMT AREA:GOLD FLASH PLATING OVER NICKEL	CONTACT AREA A2:0.1μm MIN.
1	CONTACT 1	20	COPPER ALLOY	CONTACT AREA:GOLD PLATING OVER NICKEL SMT AREA:GOLD FLASH PLATING OVER NICKEL	CONTACT AREA A2:0.1μm MIN.

仕様書(SPECIFICATION) JACS-30011	第1版(ORIGINAL DATE) 23.Feb.2004	尺度(SCALE) 5:1	列-ス(SERIES) DD2	日本航空電子工業株式会社 JAPAN AVIATION ELECTRONICS INDUSTRY, LTD.
一般公差(GENERAL TOLERANCE)	製図 DR.	名称(TITLE)	DD2B040HA2	
寸法(DIMENSION)	担当 CHK.	Y.SATOU		
角度(ANGLES)	査閲 APPD.			
. ±	承認 APPD.	H.AMEMIYA		
.X ±				
.XX ±				
.XXX ±				
	重量(WEIGHT)			
	図面番号(DRAWING NO.)	SJ100281		
	版数(REV.)	2		

APPLICABLE P.C.B (REF.)
適合基板寸法(参考)

DDF-0-213E(03.08)



NEW



0.5mm pitch stroke conforming to USB2.0 Standard

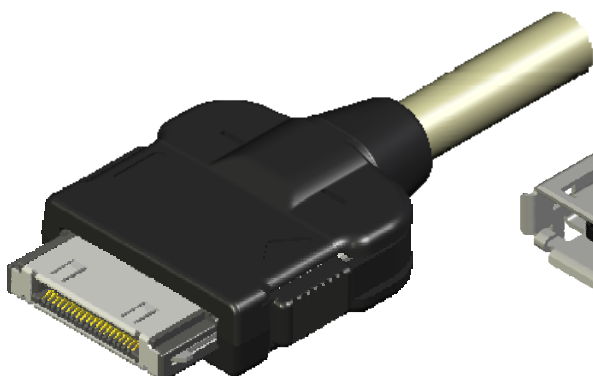
CONNECTOR

MB-0112-2

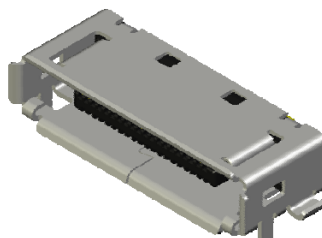
July 2006

DD2 Series

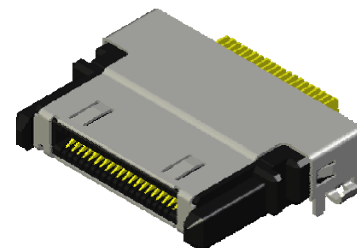
RoHS Compliant



[Plug]



[Receptacle]



[Cradle]

The DD2 series of connectors are double-line rectangular connectors with 0.5mm pitch stroke conforming to USB2.0 Standard.

Features

- Enhanced twisting resistance at insertion and removal through equipping a guide rail
- Secure ground connection for EMI prevention
- Conforms to transmission specified in USB2.0 Standard

Receptacle

- Compact design, minimized mounting area: 19.25 width, 8.6 depth and 3.8mm height.
- Hot-plug structure
- Available on embossed tape for automatic mounting

Cradle

- Minimized mounting area 13.8mm depth (terminal not included)
- 1.0mm alignment guide structure: guide range of 1.0mm min. (receptacle ↔ cradle)
- Available on embossed tape for automatic mounting

Plug

- Side-lock type
- Simple and reduced components for assembly ease
- Standard cable diameter 5.0mm. Cables with other diameters can also be used.

General Specifications

- | | |
|--|--|
| <ul style="list-style-type: none"> ■ No. of contacts : 40 pos. ■ Contact resistance:
50m ohm max. (initial) ■ Dielectric withstanding voltage :
DC300V per minute ■ Insulation resistance:
1,000M ohm min. (initial) | <ul style="list-style-type: none"> ■ Rated current: for signal 0.5A
for power 1.0A ■ Rated voltage: AC 30Vr.m.s ■ Operating temperature:
-25 Deg. C to +75 Deg. C ■ Mating cycle: 10,000 times |
|--|--|

Materials and Finishes

Receptacle

Components	Materials/ Finishes
Contact	Copper alloy/ Contact: Au plating over Ni Terminal: Sn plating over Ni
Insulator	Glass filled nylon resin
Shell	Stainless steel/ Main frame: Ni plating Through-hole: Sn plating over Ni

Cradle

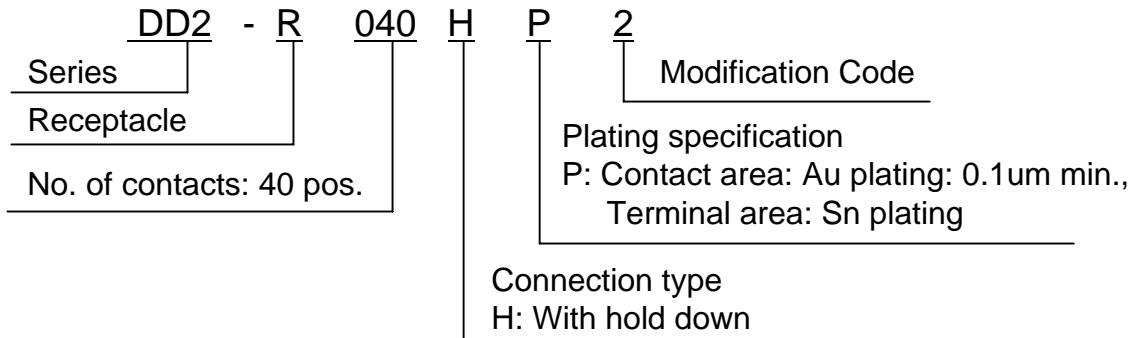
Components	Materials/ Finishes
Contact	Copper alloy/ Contact: Au plating over Ni Terminal: Au flash plating over Ni
Insulator	Glass filled nylon resin
Shell	Stainless steel/ Main frame: Ni plating Through-hole: Sn plating over Ni

Plug

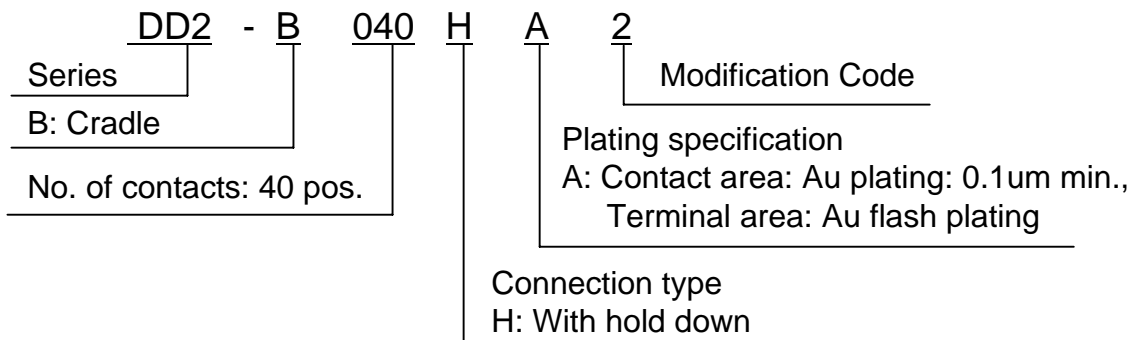
Components	Materials/ Finishes
Contact	Copper alloy/ Contact: Au plating over Ni Terminal: Au flash plating over Ni
Insulator	Glass filled nylon resin
Shell	Stainless steel/ Ni plating
Hood	Glass filled polycarbonate/ Color: Black
Lock Spring	Stainless steel/ Ni plating
Clamp Barrel	Brass/ Ni plating
Bushing	PVC/ Color: Black

Ordering Information

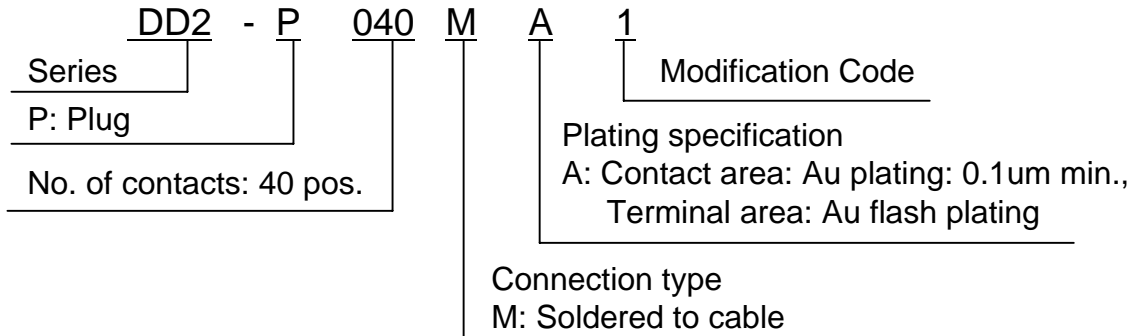
■ Receptacle



■ Cradle



■ Plug



Part Number	Board anchoring method		SJ Drawing	Specification
	Hold-down	Through-hole		
DD2R040HP2	2 parts	2 parts	SJ100279	JACS-30011
DD2B040HA2	2 parts	4parts	SJ100281	
DD2P040MA1	-	-	SJ100278	

