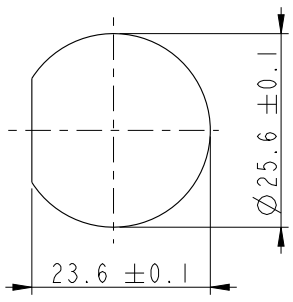
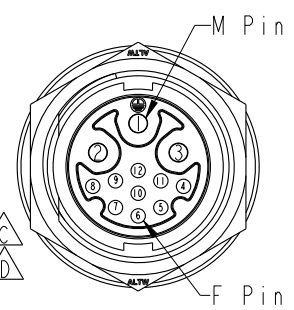
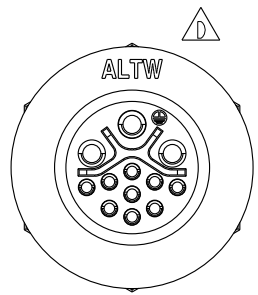
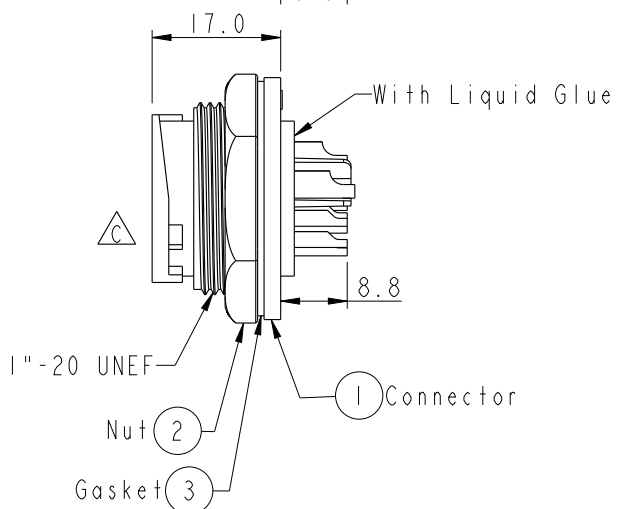
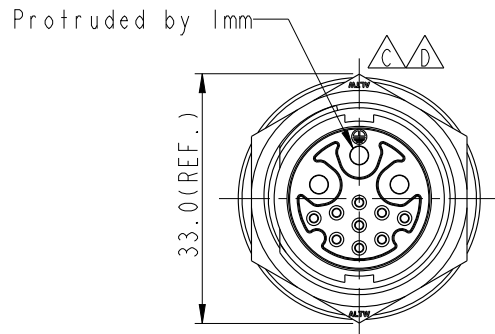
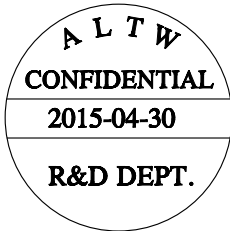
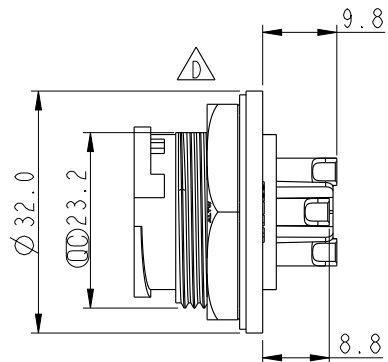
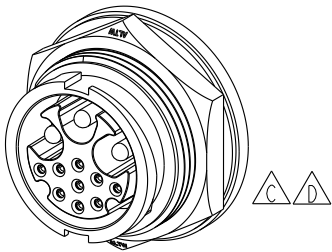


REV.	ECN NO.	DATE	SIGN	DESCRIPTION
C	LEN1320052	2013/03/04	Yulong	Update Drawing
D	LEN14C0332	2014/12/04	Sam	Update Logo.
E	LEN1550006	2015/04/30	Qiuwang	Update The Title



- NOTE:
- * \varnothing Important Dimension To Check.
 - * Waterproof Rate: IP67
 - * Connector: Nylon+GF, Black
 - * Pins: Copper Alloy, Gold Plated
 - * Use Waterproof Cap or Dust Cap
 - Panel Thickness Max: 3.0mm
 - * Use without Waterproof Cap or Dust Cap
 - Panel Thickness Max: 4.0mm

UNIT: mm		
TOLERANCE		
.X	±0.25	
.XX	±0.1	
.XXX	±0.05	
ANGLES	±1°	

TITLE			
Panel Connector			
E 3 M Pin(20A)+9 F Pin(5A)			
SCALE	SIZE	SHEET	OF
1:1	A4	1	1
REV.	WC-REV.	\varnothing : Inspection item	
E	B.2		

Amphenol LTW
安費諾亮泰企業股份有限公司

ITEM NO.	DRAWN BY	DATE
DCD-12PMES-LC7001	Qiuwang	2015-04-30
DWG NO.	CHECKED BY	DATE
DCD-12PMES-LC7001	Mafei	2015-04-30
CUSTOMER	APPROVED BY	DATE
ALTW	Jerry	2015-04-30

THIS DOCUMENT IS SUBJECT TO CHANGE WITHOUT NOTICE. IT IS CONFIDENTIAL AND A PROPERTY OF AMPHENOL LTW. DISCLOSURE TO THIRD PARTY HAS TO BE AUTHORIZED BY AMPHENOL LTW.