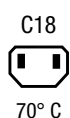


## IEC Appliance Inlet C14 with Line Switch 1- or 2-pole

**Description**

- Panel Mount:  
Screw-on version from front or rear side, snap-in version from front side
- 2 Functions:  
Appliance Inlet protection class I or II, Line Switch 1- or 2-pole
- Quick connect terminals 4.8 x 0.8 mm
- Meets the glow wire test acc. IEC60335-1 edition 4

**Approvals**

- VDE Certificate Number: 40007009
- UL File Number: E96454

**Characteristics**

- Ultra-compact design
- All single elements are already wired  
Unwired versions available on request
- Line switch non-illuminated or illuminated
- Ideal for application with high transient loads
- Qualified for use in equipment according IEC/EN 60950

**Other versions on request**

- Unwired versions
- Solder terminals
- Line switch with other rocker marking

**References**

Alternative: version with line filter [DC12](#)  
Substitute for type [KEB1](#); [KEB2](#)

**Weblinks**

[pdf pdf data sheet](#), [html data sheet](#), [General Product Information](#), [Approvals](#), [RoHS](#), [CHINA-RoHS](#), [Mating Connectors](#), [e-Shop](#), [SCHURTER-Stock-Check](#), [Distributor-Stock-Check](#), [CAD-Drawings](#), [Accessories](#), [Wire Harness](#), [Detailed request for product](#)

Newly available variants corresponding to V-Lock mating cordset. The connector is equipped with a notch intended for use with the latching cordset. The cord latching system prevents against accidental removal of the cordset.

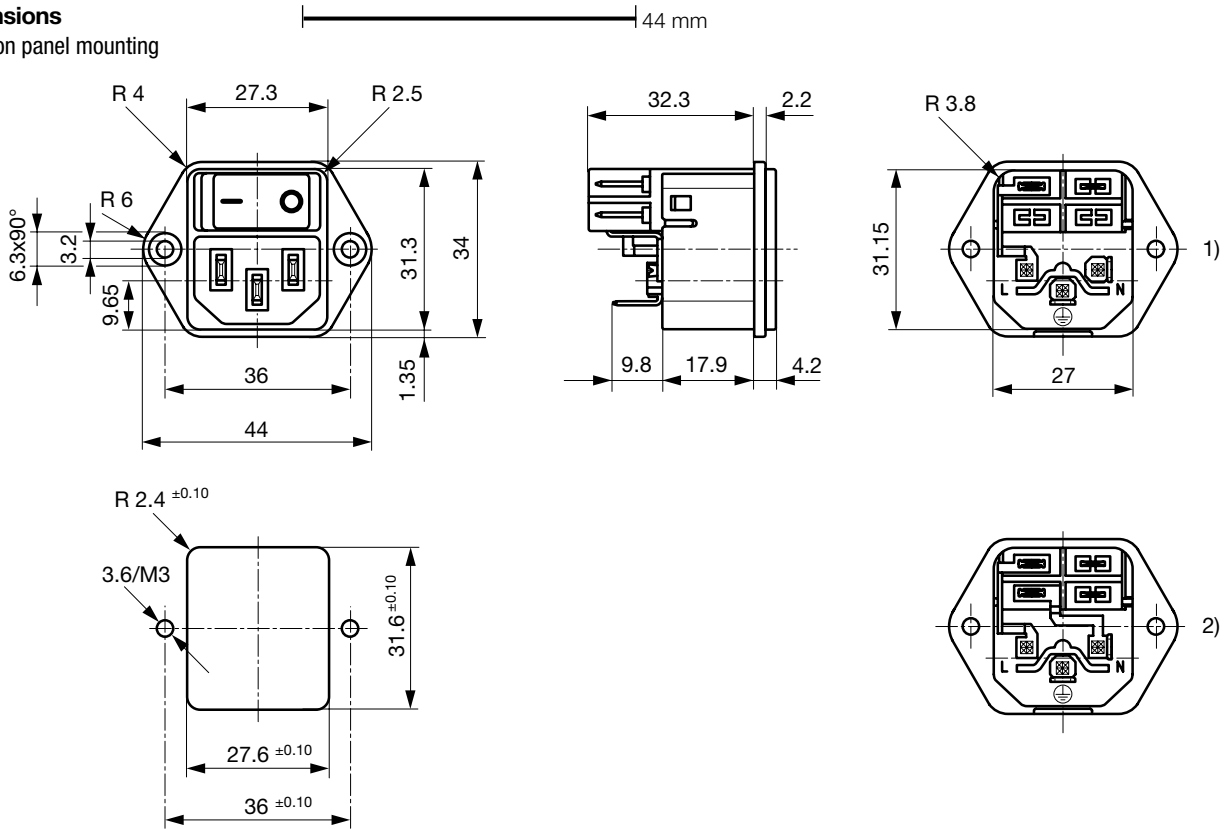
**Technical Data**

Ratings IEC	10A / 250VAC; 50Hz	Appliance Inlet	C14 acc. to IEC/EN 60320-1, UL 498, CSA C22.2 no. 42 (for cold conditions) pin-temperature 70 °C, 10A, Protection Class I or II
Ratings UL/CSA	15A / 250VAC; 50/60Hz <sup>1)</sup>	Line Switch	Rocker switch 1 or 2 pole, non-illuminated or illuminated, acc. to IEC 61058-1 <a href="#">Technical Details</a>
Dielectric Strength	> 2.5kVAC between L-N > 3kVAC between L/N-PE (1 min/50Hz)		
Allowable Operation Temp.	-25 °C to 70 °C		
Degree of Protection	from front side IP 40 acc. to IEC 60529		
Protection Class	Suitable for appliances with protection class I or II acc. to IEC 61140		
Terminal	Quick connect terminals 4.8 x 0.8 mm		
Panel Thickness s	Screw: max 6 mm Mounting screw torque max 0.5Nm Snap-in: 1/1.5/2/2.5/3 mm		
Material: Housing	Thermoplastic, black, UL 94V-0		

1) Standard version 12 A / special version 15A

### Dimensions

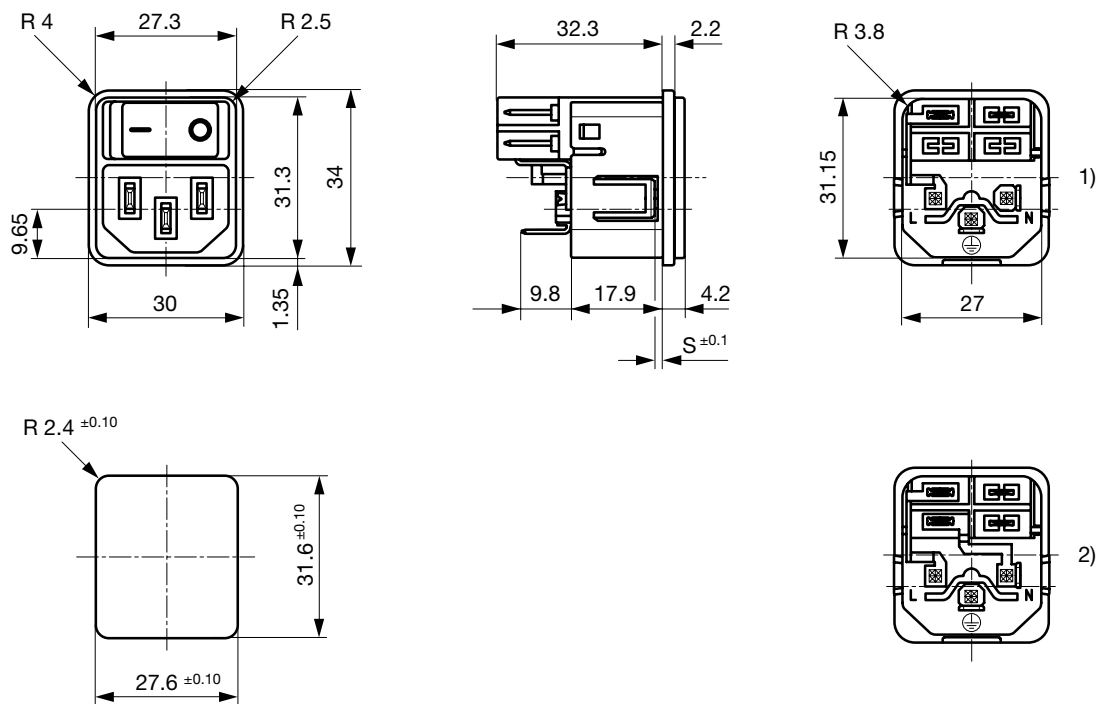
Screw on panel mounting



1) 1-pol non-illuminated

2) 2-pol illuminated, 2-pol non-illuminated

Snap-in mounting

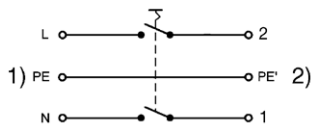


1) 1-pol non-illuminated

2) 2-pol illuminated, 2-pol non-illuminated

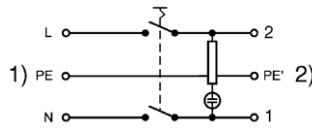
## Diagrams

Line switch non-illuminated 2-pole



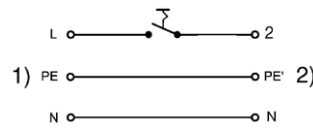
1) Line  
2) Load

Line switch illuminated 2-pole



1) Line  
2) Load

Line switch non-illuminated 1-pole



1) Line  
2) Load

## Variants

with internal connections

Rated Current UL [A]	Protection Class	Panel mounting	Panel Thickness s [mm]	Line Switch	Illumination	Color	Order Number
12	I	Screw	-	2-pole	●	red	DC11.0021.001
15	I	Screw	-	2-pole	●	red	DC11.0021.006
12	I	Screw	-	2-pole	●	green	DC11.0031.001
12	I	Screw	-	1-pole	-	-	DC11.0001.003
15	I	Screw	-	1-pole	-	-	DC11.0001.007
12	I	Screw	-	2-pole	-	-	DC11.0001.001
12	I	Screw	-	2-pole	-	-	DC11.0001.001.21
15	I	Screw	-	2-pole	-	-	DC11.0001.006
12	I	Snap-in	1	2-pole	●	red	DC11.0021.101
12	I	Snap-in	1.5	2-pole	●	red	DC11.0021.201
15	I	Snap-in	1.5	2-pole	●	red	DC11.0021.206
12	I	Snap-in	2	2-pole	●	red	DC11.0021.301
12	I	Snap-in	2.5	2-pole	●	red	DC11.0021.401
12	I	Snap-in	1.5	2-pole	●	green	DC11.0031.201
12	I	Snap-in	2	2-pole	●	green	DC11.0031.301
12	I	Snap-in	2.5	2-pole	●	green	DC11.0031.401
12	I	Snap-in	1.5	1-pole	-	-	DC11.0001.203
15	I	Snap-in	1.5	1-pole	-	-	DC11.0001.207
12	I	Snap-in	2	1-pole	-	-	DC11.0001.303
12	I	Snap-in	2.5	1-pole	-	-	DC11.0001.403
12	I	Snap-in	2.5	1-pole	-	-	DC11.0001.403.21
12	I	Snap-in	1.5	2-pole	-	-	DC11.0001.201
12	I	Snap-in	1.5	2-pole	-	-	DC11.0001.201.21
15	I	Snap-in	1.5	2-pole	-	-	DC11.0001.206
12	I	Snap-in	2	2-pole	-	-	DC11.0001.301
12	II	Snap-in	2	2-pole	-	-	DC11.0001.351
12	I	Snap-in	2.5	2-pole	-	-	DC11.0001.401
12	I	Snap-in	3	2-pole	-	-	DC11.0001.501

All variants according VDE (ENEC 10) approved for 10 A

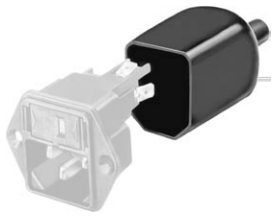
Suffix ".21" corresponds to the version with V-Lock mating cordset. The connector is equipped with a notch intended for use with the latching cordset. The cord latching system prevents against accidental removal of the cordset.

## Packaging unit

50 Pcs

## Accessories

### Description



Assorted Covers  
Rear Cover

0859.0047

4311.9403



Wire Harness  
Wire harness for SCHURTER products



Cord retaining kits  
Cord retaining strain relief

Flat head, A

4700.0001

Countersunk, B

4700.0002

## Mating Outlets/Connectors

### Category / Description

#### Appliance Outlet Overview complete



IEC Appliance Outlet F, Screw-on Mounting, Front Side, Solder Terminal

4787

IEC Appliance Outlet F, Snap-in Mounting, Front Side, Solder or Quick-connect Terminal

4788

IEC Appliance Outlet F or H, Screw-on Mounting, Front Side, Solder, PCB or Quick-connect Terminal

5091

IEC Appliance Outlet F or H, Screw-on Mounting, Front Side, Solder or Quick-connect Terminal

5092

[Appliance Outlet further types to DC11](#)

#### Connector Overview complete



IEC Connector C15, Rewireable, Straight

0101

IEC Connector C15A, Rewireable, Straight

0102

IEC Connector C15A, Rewireable, Straight

0102-G

IEC Connector C15A, Rewireable, Angled

0112

IEC Connector C13, Rewireable, Angled

4012

[Connector further types to DC11](#)

...

#### Power Cord Overview complete



Power Cord with IEC Connector C13, Angled

0311

Power Cord with IEC Connector C13, Angled

3011

Power Cord with IEC Connector C13, Angled

3012

Power Cord with IEC Connector C13, Angled

3013

Power Cord with IEC Connector C13

3020

[Power Cord further types to DC11](#)

...