

D-BOX™ Wall-Mount Enclosure and Accessories

D-BOX™, Type 1



Industry Standards

UL 1863 Listed; File No. E230874
 UL 508A Listed; Type 1; File Number E61997
 cUL Listed per CSA C22.2 No. 182.4; File No. E230874
 Ventilation complies with UL 60950

Telcordia NEBS™ Requirements: Physical Protection, GR-63-CORE, Zone 4. Tested with 100 lbs. (45.4 kg) of equipment installed.

Designed in accordance with BICSI TDMM Tenth edition, Chapter 7, Telecommunication Enclosures (TE)

EIA 310-D
 IEC 60529, IP40

Application

Ideal for retail applications where it is necessary to house 19-in. network equipment in a public location, the horizontally-oriented D-BOX™ is a low-profile cabinet with a hinged door for convenient front access and a combination of fixed and rotating rack angles to accommodate varying equipment sizes.

Features

- Spring-loaded, self-retained hinge pins allow door removal
- Reversible door fits flush to body with no exposed corners
- Knockouts for 4-in. fan on top and bottom of enclosure
- Wiring knockouts (7/8 in., 1-3/8 in., and 3 in.) on top and bottom of enclosure. Two 3-in. cable entry knockouts on back.
- 120-degree door opening
- Multiple cable tie-down points on back of enclosure
- Quarter-turn latch with key lock
- Keyhole mounting slots spaced 16.00 in. (406 mm) on center for easy enclosure mounting
- Bosses provided for mounting accessories such as cable spools
- Self-grounding mounting angles made of 12 gauge galvanized steel
- Patch panel mounting angles rotate down for access
- Flange around door opening protects interior
- Bonding provision on door
- Ground stud on body
- EIA Universal 5/8 - 5/8 - 1/2 in. vertical mounting hole pattern matches industry standards. Holes are tapped 10-32.
- Includes package of twenty 10-32 mounting screws

Specifications

- Door manufactured from 14 gauge mild steel
- Body manufactured from 16 gauge mild steel

Finish

Phosphatized steel coated with RAL 7035 light-gray textured, low-gloss polyester powder paint. Other finishes available—contact Hoffman Customer Service.

Load Rating

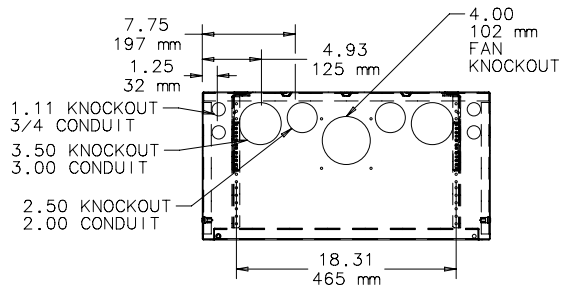
100 lb. (45.4 kg)

Bulletin: DWS1

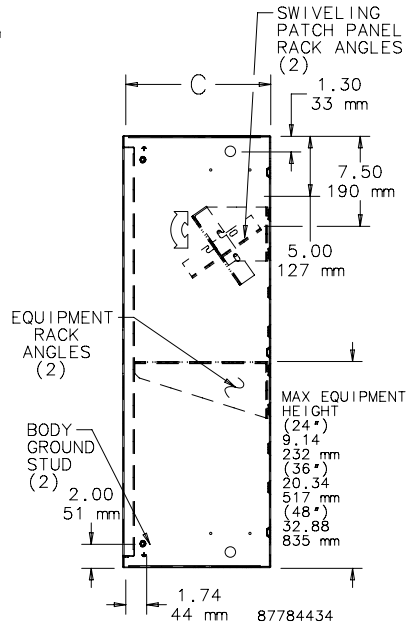
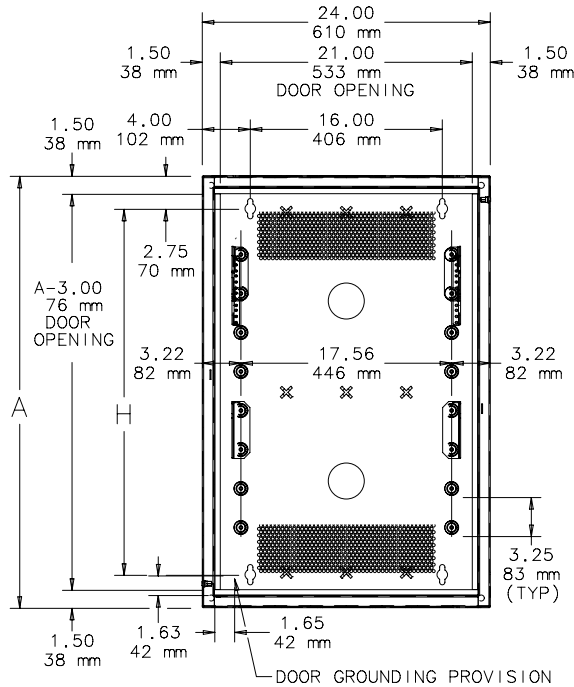
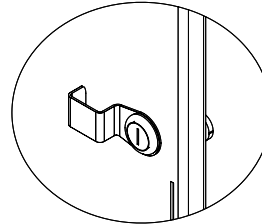
D-BOX™ Wall-Mount Enclosure and Accessories

Standard Product

Catalog Number	AxBxC in.	AxBxC mm	H (in.)	H (mm)	Rack Units
DBS24248G	24.00 x 24.00 x 8.34	610 x 610 x 212	22.00	559	4
DBS36248G	36.00 x 24.00 x 8.34	915 x 610 x 212	34.00	864	4
DBS48248G	48.00 x 24.00 x 8.34	1220 x 610 x 212	46.00	1168	4
DBS242412G	24.00 x 24.00 x 12.34	610 x 610 x 313	22.00	559	6
DBS362412G	36.00 x 24.00 x 12.34	915 x 610 x 313	34.00	864	6
DBS482412G	48.00 x 24.00 x 12.34	1220 x 610 x 313	46.00	1168	6



Field Installable Handle (Included)



D-BOX™ Wall-Mount Enclosure and Accessories

Bonding and Grounding Kit



Provides the cable and mounting hardware required to ground equipment to the door and the body of the cabinet.

Bulletin: DWS1

Catalog Number	Description
DBGDK	Bonding and Grounding Kit

Duplex Outlet Kit



15 A duplex outlet is factory-mounted in three-sided, plated steel enclosure. Outlet enclosure mounts on hinge side of door in lower corner of cabinet. Mounting hardware provided.

Bulletin: DWS1

Catalog Number	Description	Current Rating
DBDX	Duplex Outlet Kit	15 A

Equipment Rack Angles



Fixed rack angles can be added to 36-in. and 48-in. tall cabinets for extra 19-in rack equipment mounting. Made of steel with clear zinc plating. EIA spaced holes are tapped 10-32. Mounts to raised pads on cabinet inside back with provided hardware.

Bulletin: DWS1

Catalog Number	Description	Rack Units
DBERA4U	Equipment Rack Angles	4
DBERA6U	Equipment Rack Angles	6

Fan Filter and Finger Guard Kit



Low-density filter kit for 4-in. (102-mm) and 6-in. (152-mm) fans. Can also be used as vent. Filter is removable and can be cleaned and reused. Mounting hardware included.

Bulletin: DTHRM, DWS1

Catalog Number	Description	Fits
AFLTR4LD	Fan Filter and Finger Guard Kit	4-in. fans
AFLTR6LD	Fan Filter and Finger Guard Kit	6-in. fans

D-BOX™ Wall-Mount Enclosure and Accessories

Padlock Kit



Kit includes field installable hasp and staple. Fits padlocks with maximum 5/16 in. (8mm) shackle diameter. No drilling or layout required. Includes mounting hardware.

Bulletin: DWS1

Catalog Number	Description
DBPDLK	Padlocking Kit

Patch Panel Rack Angles

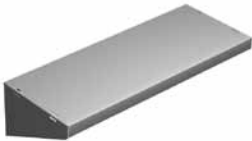


Swiveling rack angles drop 45 degrees to provide convenient access to equipment mounted on patch panels. Provide additional patch panel location in 36- and 48-in. (914- and 1219-mm) high cabinets. Made of self-grounding, plated 12 gauge steel. Mounting hardware included. Set of two.

Bulletin: DWS1

Catalog Number	Description	Rack Units
DBPRA4U	Patch Panel Rack Angles	4

Shelves



Shelves provide additional storage in 36- and 48-in. (914- and 1219-mm) tall cabinets. Made of self-grounding plated 16 gauge steel. 75 lbs. (34.0 kg) load rating. RAL 7035 polyester powder coat finish.

Bulletin: DWS1

Catalog Number	Description	Nominal Shelf Depth in./mm
DBSHELF8	Steel Shelf	8.00 203
DBSHELF12	Steel Shelf	12.00 305

Strut Wall-Mounting Kit



Provides secure mounting for cabinet. RAL 7035 polyester powder coat finish.

Bulletin: DWS1

Catalog Number	Description	Length in./mm
DB24WMTK	Strut Wall-Mounting Kit	24.00 610