



DEUTSCH

TE Internal #: DBC53H-10-6PN

Standard Circular Connectors, Wire-to-Panel, 6 Position, .113 in [2.87 mm] Centerline, Sealable, Wire & Cable, Power, Panel Mount, Tin, Steel

[View on TE.com >](#)

Connectors > Circular Connectors > Standard Circular Connectors



Connector System: **Wire-to-Panel**
 Connector Mounting Type: **Panel Mount**
 Number of Positions: **6**
 Centerline (Pitch): **2.87 mm [.113 in]**
 Sealable: **Yes**

Features

Product Type Features

Product Type	Connector Assembly
Connector System	Wire-to-Panel
Sealable	Yes
Connector & Contact Terminates To	Wire & Cable
Circular Connector Type	Receptacle
Shell Type	Solder Flange

Configuration Features

Number of Positions	6
Number of Power Positions	6
Contacts Preloaded	Yes

Body Features

Shell Plating Material	Tin
Shell Base Material	Steel
Circular Connector Insulation Material Type	Glass/Silicone
Hermetically Sealed	Yes

Contact Features

Contact Layout Arrangement	10 – 6
----------------------------	--------



Circular Connector Contact Type Pin

Mechanical Attachment

Connector Mounting Type	Panel Mount
Polarization Code	N
Mating Alignment Type	Keyed
Mating Retention	With

Housing Features

Centerline (Pitch)	2.87 mm[.113 in]
Circular Connector Shell Size	10
Alignment Keyed	Clocking

Usage Conditions

Operating Temperature Range	-85 – 300 °C[-121 – 572 °F]
-----------------------------	-----------------------------

Operation/Application

Circuit Application	Power
Shielded	Yes

Product Compliance

[For compliance documentation, visit the product page on TE.com>](#)

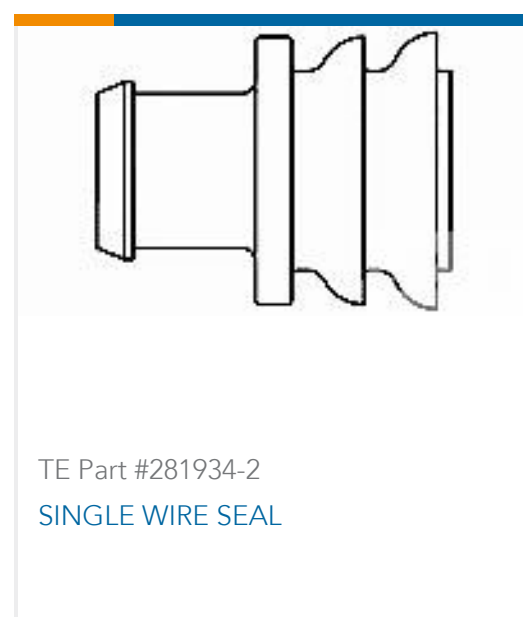
EU RoHS Directive 2011/65/EU	Not Compliant
EU ELV Directive 2000/53/EC	Not Compliant
China RoHS 2 Directive MIIT Order No 32, 2016	Restricted Materials Above Threshold
EU REACH Regulation (EC) No. 1907/2006	Current ECHA Candidate List: JUNE 2024 (241) Candidate List Declared Against: JAN 2024 (240) SVHC > Threshold: Decamethylcyclopentasiloxane (D5) (5% in Insert Subassembly) Article Safe Usage Statements: Wash thoroughly after handling. Recycle if possible and dispose of the article by following all applicable governmental regulations relevant to your geographic location.
Halogen Content	Not Yet Reviewed for halogen content
Solder Process Capability	Not reviewed for solder process capability

Product Compliance Disclaimer

This information is provided based on reasonable inquiry of our suppliers and represents our current actual knowledge based on the information they provided. This information is subject to change. The part numbers that TE has identified as EU RoHS compliant have a maximum concentration of 0.1% by weight in homogenous materials for lead, hexavalent

chromium, mercury, PBB, PBDE, DBP, BBP, DEHP, DIBP, and 0.01% for cadmium, or qualify for an exemption to these limits as defined in the Annexes of Directive 2011/65/EU (RoHS2). Finished electrical and electronic equipment products will be CE marked as required by Directive 2011/65/EU. Components may not be CE marked. Additionally, the part numbers that TE has identified as EU ELV compliant have a maximum concentration of 0.1% by weight in homogenous materials for lead, hexavalent chromium, and mercury, and 0.01% for cadmium, or qualify for an exemption to these limits as defined in the Annexes of Directive 2000/53/EC (ELV). Regarding the REACH Regulation, the information TE provides on SVHC in articles for this part number is based on the latest European Chemicals Agency (ECHA) 'Guidance on requirements for substances in articles' posted at this URL: <https://echa.europa.eu/guidance-documents/guidance-on-reach>

Customers Also Bought



Documents

Product Drawings

HERM RECP

English

Datasheets & Catalog Pages

Hermetic Connectors

English