

REFERENCE SPECIFICATIONS

-NFC 93425 (in compliance with HE 508)

PHYSICAL CHARACTERISTICS

- INSULATOR MATERIAL: THERMOSET UL94V0
- CONTACT MATERIAL: BRASS
GOLD OVER NICKEL
- ACCESSORIES: BRASS
Cadmium plated, yellow passivation
- SHELLS: STEEL
Cadmium plated, yellow passivation

ELECTRICAL CHARACTERISTICS

- NOMINAL CURRENT: 7.5A
- CONTACT RESISTANCE: <= 7.3 m ohms
- CONTACT/CONTACT : >=1000 V
- CONTACT/GROUND : >=1200 V
- INSULATION RESISTANCE: >=5000 MOhms

ENVIRONMENTAL CHARACTERISTICS

- CLIMATIC CATEGORY: 55/155/56
TEMPERATURE RANGE -55°C TO +155°C
DAMP HEAT STEADY STATE 56 DAYS
SALT SPRAY 48 HOURS

MECHANICAL CHARACTERISTICS

- RETENTION AGAINST TORQUE: - Threaded insert: 0.7 N.m minimum
- Female screw : 0.5 N.m minimum

DBML25S400N

Series

Shell size: **E A B C D**
see sheet 2

Front accessory definition
see sheet 2

- Blank** : without accessory
- F** : floating mounting
- L** : threaded insert M3
- O** : threaded insert UNC 4-40
- V** : female screw UNC 4-40

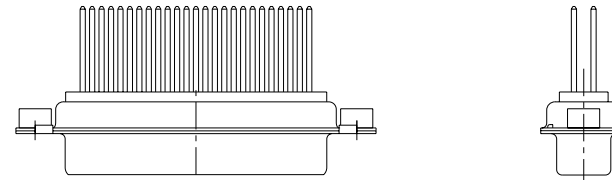
Contact number (see sheet 2)
9,15,25,37,50

Contacts
S : Socket

Termination type
4 3 level wire wrap contact

Plating
00 : 500 matings/unmatings
43 : 500 matings/unmatings for harsh environment

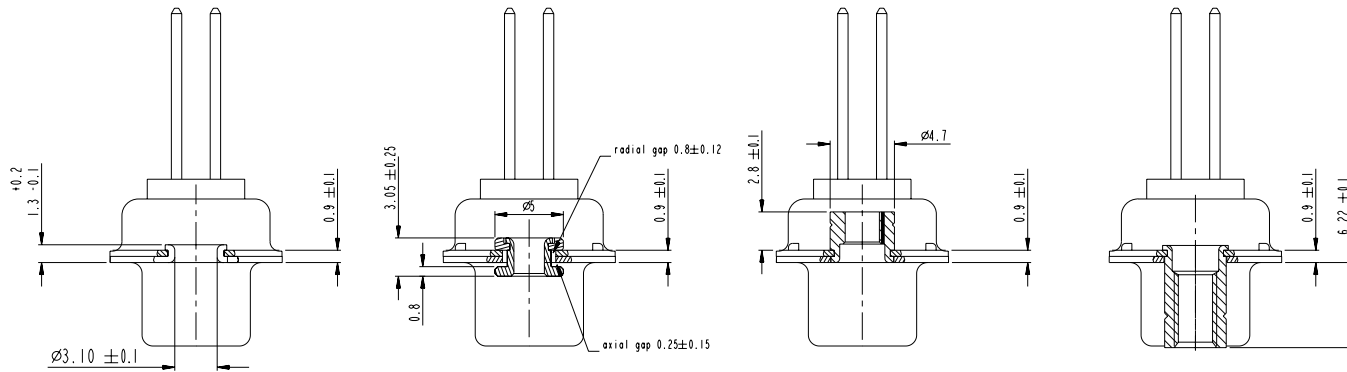
Obligatory for HE508



25 WAY for Exemple

www.fciconnect.com				surface	tolerance std	projection	mm	
				ISO 1302	ISO 406 ISO 1101	mm		
				TOLERANCES UNLESS OTHERWISE SPECIFIED				
Dr	M PESSON	2006/11/14	Eng	P LEGARE	2006/11/14	ANGULAR	LINEAR	size A2 Scale 2:1
A	LS06-0174	MPE	2006/11/14	Chr	P LEGARE	2006/11/14	0.xx ±0.3	ECN LS07-0311
B	LS07-0273	MPE	2007/10/30	Appr	P LEGARE	2006/11/14	0.xxx ±0.05	
C	LS07-0311	MPE	2007/12/06	Product family		- Spec ref		
				SUB FEMALE DM HE508 series		ang no		Rev.
				with 3 level wire wrap contact		C01-8637-1747		C
				catalog no		CUSTOMER		sheet 1 of 4

Copyright FCi.



FRONT ACCESSORY **Blank** without **F** floating mounting **L** insert M3 **O** insert UNC 4.40 **V** female screw UNC 4.40

PART NUMBER	FRONT ACCESSORY
D*MxxS400N	without
D*MFxxS400N	floating mounting
D*MLxxS400N	insert M3
D*MOxxS400N	insert UNC 4.40
D*MVxxS400N	female screw UNC 4.40

shell size	Contact number
*	XX
E	09
A	15
B	25
C	37
D	50

PART NUMBER	FRONT ACCESSORY
D*MxxS443N	without
D*MFxxS443N	floating mounting
D*MLxxS443N	insert M3
D*MOxxS443N	insert UNC 4.40
D*MVxxS443N	female screw UNC 4.40

CROSS REFERENCES HE508 and FCI

HE508 P/N	FCI P/N	FRONT ACCESSORY
HE508NxxKS3	D*MxxS400N	without
HE508FxxKS3	D*MFxxS400N	floating mounting

www.fciconnect.com		surface -	tolerance std	projection	mm
		ISO 1302	ISO 406 ISO 1101		
TOLERANCES UNLESS OTHERWISE SPECIFIED					
Dr	M PESSON	2006/11/14	ANGULAR	0.X ±0.3	size A2 Scale 2:1
Eng	P LEGARE	2006/11/14	LINEAR	0.XX ±0.1	
Chr	P LEGARE	2006/11/14	0° ±2°	0.XXX ±0.05	ECN LS07-0311
Appr	P LEGARE	2006/11/14	Product family	-	Spec ref
FCI		SUB FEMALE DM HE508 series		ang no	Rev.
		with 3 level wire wrap contact		C01-8637-1747	C
catalog no		CUSTOMER		sheet 2 of 4	

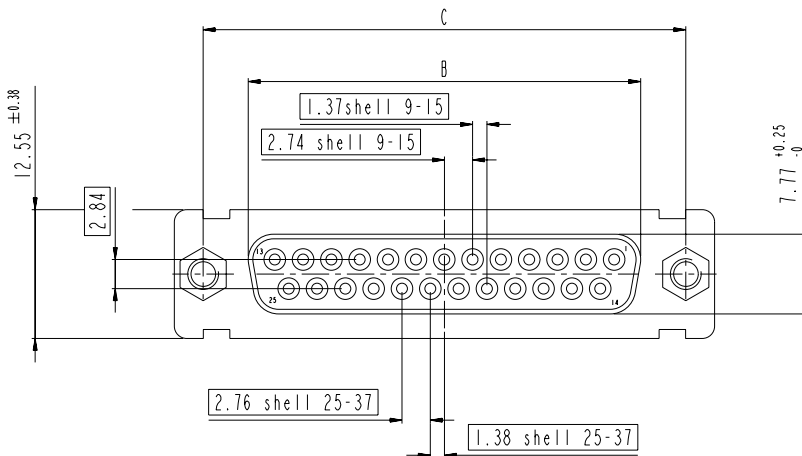
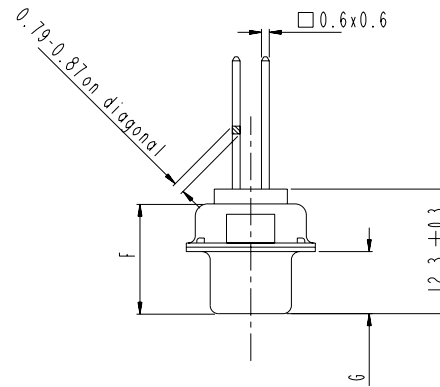
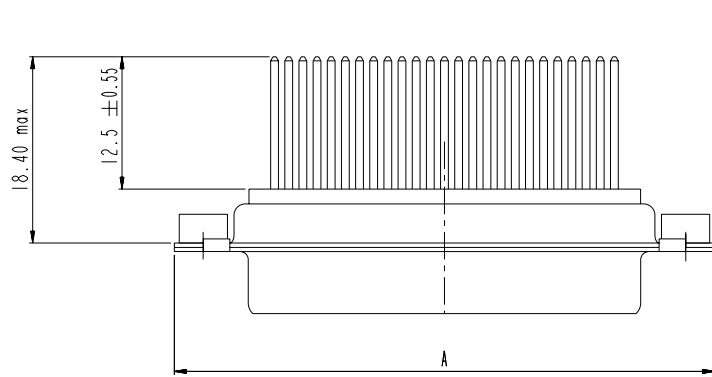
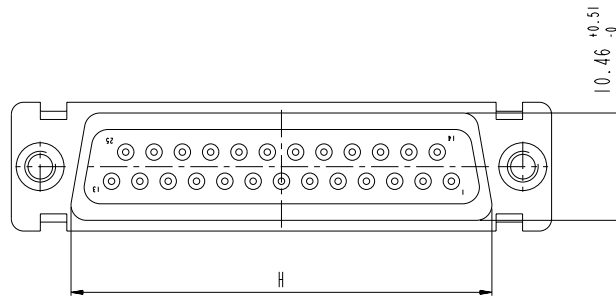
SCALE: 4

Copyright FCI

DIMENSIONS FOR SHELL E, A, B, C

Dimensions are in millimeters

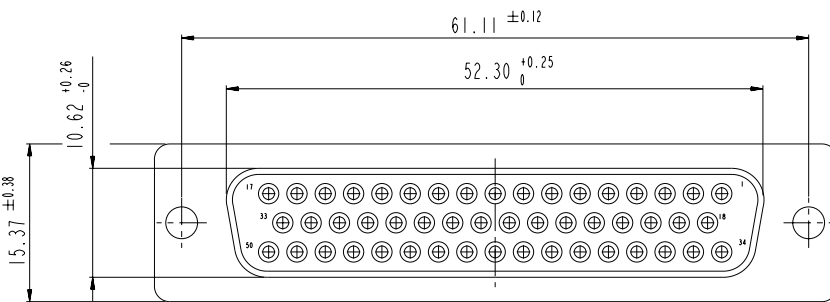
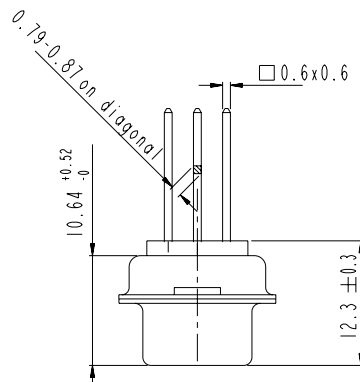
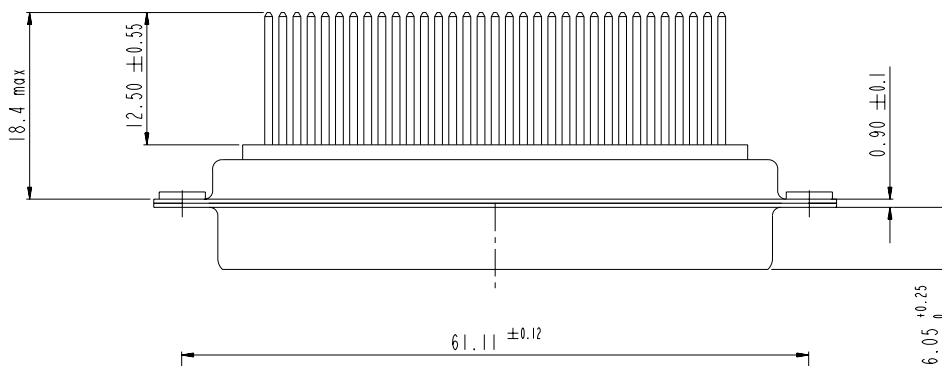
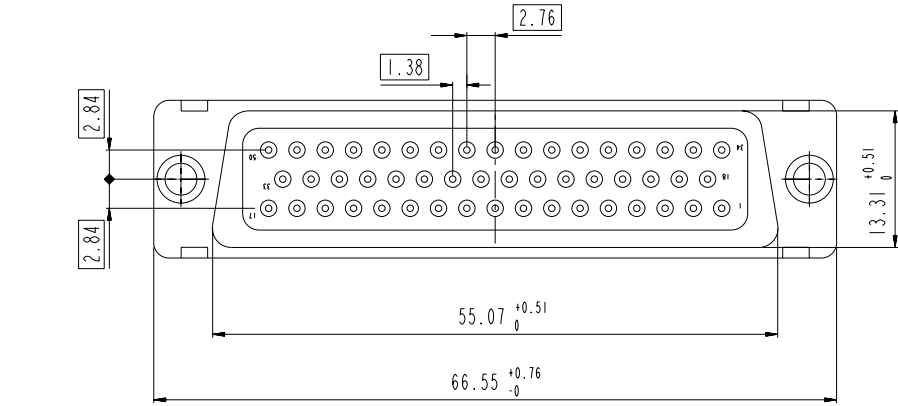
Shell size	Number of contacts	A ^{+0.76} ₋₀	B ^{+0.25} ₋₀	C ±0.12	F ^{+0.57} ₋₀	G ^{+0.25} ₋₀	H ^{+0.51} ₋₀
E	09	30.43	16.21	24.99	10.64	6.05	19.02
A	15	38.76	24.54	33.32	10.64	6.05	27.25
B	25	52.65	38.25	47.04	10.64	6.05	41.02
C	37	68.94	54.71	63.50	10.64	6.05	57.45



Copyright fci. fci

www.fciconnect.com		surface - ISO 1302	tolerance std ISO 406 ISO 1101	projection mm
		TOLERANCES UNLESS OTHERWISE SPECIFIED		
Dr M PESSON	2006/11/14	ANGULAR	0.X ±0.3	size A2 Scale 2:1
Eng P LEGARE	2006/11/14	LINEAR	0.XX ±0.1	ECN LS07-0311
Chr P LEGARE	2006/11/14	0° ±2°	0.XXX ±0.05	
Appr P LEGARE	2006/11/14	Product family		Spec ref
SUB FEMALE DM HE508 series		ang no	C01-8637-1747	
with 3 level wire wrap contact		Rev.	C	
catalog no		CUSTOMER	sheet 3 of 4	

DIMENSIONS FOR SHELL D (50 CONTACTS)



Copyright fci. FCI

www.fciconnect.com		surface - ISO 1302	tolerance std ISO 406 ISO 1101	projection mm
		TOLERANCES UNLESS OTHERWISE SPECIFIED		
Dr M PESSON	2006/11/14	ANGULAR	0.x ± 0.3	size A2 Scale 2:1
Eng P LEGARE	2006/11/14	LINEAR	0.xx ± 0.1	ECN LS07-0311
Chr P LEGARE	2006/11/14	$0^\circ \pm 2^\circ$	0.xxx ± 0.05	
Appr P LEGARE	2006/11/14	Product family	Spec ref	
SUB FEMALE DM HE508 series		ang no	C01-8637-1747	
with 3 level wire wrap contact		Rev.	C	
catalog no		CUSTOMER		sheet 4 of 4