

DTS26Z17-08SN [V001] ✓ ACTIVE

DEUTSCH | DEUTSCH 38999, DEUTSCH 38999 Series III

TE Internal #: YDTS26Z17-08SNV001

Standard Circular Connectors, Cable-to-Panel, 8 Position, Sealable, Wire & Cable, Power, Panel Mount, Black Zinc Nickel, Aluminum 6061-T6

[View on TE.com >](#)



Connectors > Circular Connectors > Standard Circular Connectors > D38999: Straight Plug, 17-08 Insert



Connector System: **Cable-to-Panel**

Connector Mounting Type: **Panel Mount**

Number of Positions: **8**

Sealable: **Yes**

Connector & Contact Terminates To: **Wire & Cable**

[All D38999: Straight Plug, 17-08 Insert \(24\)](#)

Features

Product Type Features

Product Type	Connector Assembly
Connector System	Cable-to-Panel
Sealable	Yes
Connector & Contact Terminates To	Wire & Cable
Circular Connector Type	Plug
Shell Type	Straight Plug

Configuration Features

Number of Positions	8
Number of Power Positions	8
Number of Signal Positions	0
Contacts Preloaded	No

Body Features

Shell Plating Material	Black Zinc Nickel
Shell Base Material	Aluminum 6061-T6
Circular Connector Insulation Material Type	Hard Dielectric/Silicone
Hermetically Sealed	No



Contact Features

Contact Current Rating (Max)	13 A
Reverse Gender	No
Contact Layout Arrangement	17 – 8
Circular Connector Contact Type	Socket

Mechanical Attachment

Connector Mounting Type	Panel Mount
Polarization Code	N
Mating Alignment Type	Keyed
Mating Retention	With

Housing Features

Circular Connector Shell Size	17
Alignment Keyed	Clocking

Dimensions

Wire Size	.52 – 1.31 mm ²
-----------	----------------------------

Usage Conditions

Operating Temperature Range	-65 – 200 °C[-85 – 392 °F]
-----------------------------	----------------------------

Operation/Application

Circuit Application	Power
Shielded	Yes

Product Compliance

[For compliance documentation, visit the product page on TE.com>](#)

EU RoHS Directive 2011/65/EU	Compliant with Exemptions
EU ELV Directive 2000/53/EC	Compliant with Exemptions
China RoHS 2 Directive MIIT Order No 32, 2016	Restricted Materials Above Threshold
EU REACH Regulation (EC) No. 1907/2006	Current ECHA Candidate List: JUNE 2024 (241) Candidate List Declared Against: JAN 2024 (240) SVHC > Threshold: Pb (1.2% in Contact Lead-Copper Alloy) Decamethylcyclopentasiloxane (D5) (5% in Insert subassembly)

Article Safe Usage Statements:



Do not eat, drink or smoke when using this product. Wash thoroughly after handling. Recycle if possible and dispose of the article by following all applicable governmental regulations relevant to your geographic location.

Halogen Content

Not Yet Reviewed for halogen content

Solder Process Capability

Not reviewed for solder process capability

Product Compliance Disclaimer

This information is provided based on reasonable inquiry of our suppliers and represents our current actual knowledge based on the information they provided. This information is subject to change. The part numbers that TE has identified as EU RoHS compliant have a maximum concentration of 0.1% by weight in homogenous materials for lead, hexavalent chromium, mercury, PBB, PBDE, DBP, BBP, DEHP, DIBP, and 0.01% for cadmium, or qualify for an exemption to these limits as defined in the Annexes of Directive 2011/65/EU (RoHS2). Finished electrical and electronic equipment products will be CE marked as required by Directive 2011/65/EU. Components may not be CE marked. Additionally, the part numbers that TE has identified as EU ELV compliant have a maximum concentration of 0.1% by weight in homogenous materials for lead, hexavalent chromium, and mercury, and 0.01% for cadmium, or qualify for an exemption to these limits as defined in the Annexes of Directive 2000/53/EC (ELV). Regarding the REACH Regulation, the information TE provides on SVHC in articles for this part number is based on the latest European Chemicals Agency (ECHA) 'Guidance on requirements for substances in articles' posted at this URL: <https://echa.europa.eu/guidance-documents/guidance-on-reach>

Compatible Parts



TE Part # CAT-D38999-DTS80
D38999: Square Flange, 17-08 insert



TE Part # YDTS24Z17-08PNC001
RECP ASSY

Also in the Series | DEUTSCH 38999



Standard Circular Connectors(2577)

Also in the Series | DEUTSCH 38999 Series III



Standard Circular Connectors(9183)

Customers Also Bought



TE Part #5748676-4
DIE CAST CBL CLMP KIT,SZ 4



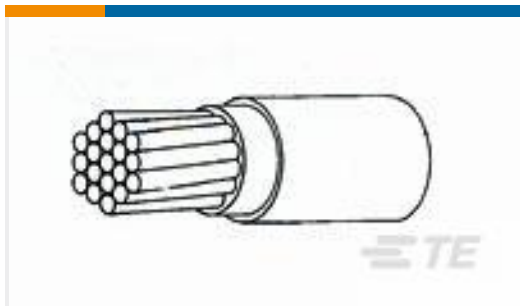
TE Part #1828740-1
ASSEMBLY, PROTECTIVE CAP



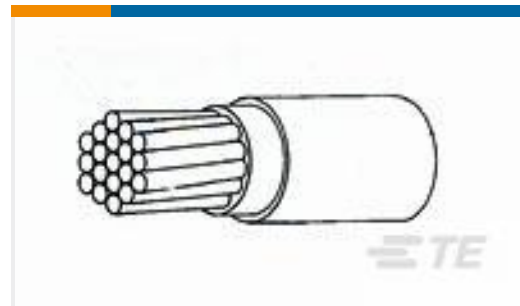
TE Part #YDTS24W15-18SNV001
RECP ASSY



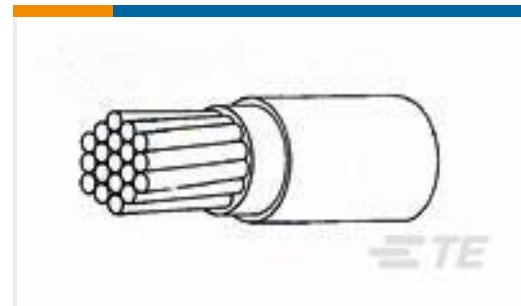
TE Part #NB17584001
RT-375-3/4-X-SP



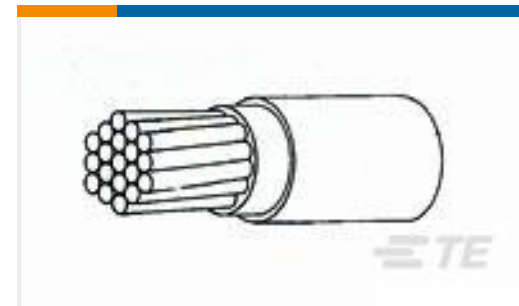
TE Part #2800223005
44/7031-18-6



TE Part #2813813003
44/7031-20-0



TE Part #2818583002
44/7031-24-3



TE Part #2818553002
44/7031-18-0



TE Part #YDTS26Z17-06PNV001
PLUG ASSY



TE Part #ZPF000000000152640
DTS 24 W 13-35 SN 181

Documents

Product Drawings

[PLUG ASSY](#)

English

Datasheets & Catalog Pages

[DEUTSCH DTS Series Connectors for 38999 QRG](#)

English