

# DTS26F09-35PC [V001] ✓ ACTIVE

DEUTSCH | DEUTSCH 38999, DEUTSCH 38999 Series III

TE Internal #: YDTS26F09-35PCV001

Standard Circular Connectors, Cable-to-Panel, 6 Position, Sealable, Wire & Cable, Signal, Panel Mount, Electroless Nickel, Aluminum

[View on TE.com >](#)



Connectors > Circular Connectors > Standard Circular Connectors > Straight Plug: D38999, 09-35 Insert, Electroless Nickel Plating



Connector System: **Cable-to-Panel**

Connector Mounting Type: **Panel Mount**

Number of Positions: **6**

Sealable: **Yes**

Connector & Contact Terminates To: **Wire & Cable**

[All Straight Plug: D38999, 09-35 Insert, Electroless Nickel Plating \(33\)](#)

## Features

### Product Type Features

Product Type	Connector Assembly
Connector System	Cable-to-Panel
Sealable	Yes
Connector & Contact Terminates To	Wire & Cable
Circular Connector Type	Plug
Shell Type	Straight Plug

### Configuration Features

Number of Positions	6
Number of Power Positions	0
Number of Signal Positions	6
Contacts Preloaded	No

### Body Features

Shell Plating Material	Electroless Nickel
Shell Base Material	Aluminum
Circular Connector Insulation Material Type	Hard Dielectric/Silicone
Hermetically Sealed	No



### Contact Features

Contact Current Rating (Max)	5 A
Reverse Gender	No
Contact Layout Arrangement	9 – 35
Circular Connector Contact Type	Pin

### Mechanical Attachment

Mating Retention Type	Threaded
Connector Mounting Type	Panel Mount
Polarization Code	C
Mating Alignment Type	Keyed
Mating Retention	With

### Housing Features

Circular Connector Shell Size	9
Alignment Keyed	Clocking

### Dimensions

Wire Size	28 – 22 AWG
-----------	-------------

### Usage Conditions

Operating Temperature Range	-65 – 200 °C[-85 – 392 °F]
-----------------------------	----------------------------

### Operation/Application

Circuit Application	Signal
---------------------	--------

## Product Compliance

[For compliance documentation, visit the product page on TE.com>](#)

EU RoHS Directive 2011/65/EU	Compliant with Exemptions
EU ELV Directive 2000/53/EC	Compliant with Exemptions
China RoHS 2 Directive MIIT Order No 32, 2016	Restricted Materials Above Threshold
EU REACH Regulation (EC) No. 1907/2006	Current ECHA Candidate List: JUNE 2024 (241) Candidate List Declared Against: JAN 2022 (223) SVHC > Threshold: Pb (1.2% in Contact Lead-Copper Alloy) Decamethylcyclopentasiloxane (D5) (5% in Insert subassembly)

Article Safe Usage Statements:

Do not eat, drink or smoke when using this product. Wash thoroughly after handling. Recycle if possible and dispose of the article by following all applicable governmental regulations relevant to your geographic location.

Halogen Content

Not Yet Reviewed for halogen content

Solder Process Capability

Not reviewed for solder process capability

Product Compliance Disclaimer

This information is provided based on reasonable inquiry of our suppliers and represents our current actual knowledge based on the information they provided. This information is subject to change. The part numbers that TE has identified as EU RoHS compliant have a maximum concentration of 0.1% by weight in homogenous materials for lead, hexavalent chromium, mercury, PBB, PBDE, DBP, BBP, DEHP, DIBP, and 0.01% for cadmium, or qualify for an exemption to these limits as defined in the Annexes of Directive 2011/65/EU (RoHS2). Finished electrical and electronic equipment products will be CE marked as required by Directive 2011/65/EU. Components may not be CE marked. Additionally, the part numbers that TE has identified as EU ELV compliant have a maximum concentration of 0.1% by weight in homogenous materials for lead, hexavalent chromium, and mercury, and 0.01% for cadmium, or qualify for an exemption to these limits as defined in the Annexes of Directive 2000/53/EC (ELV). Regarding the REACH Regulation, the information TE provides on SVHC in articles for this part number is based on the latest European Chemicals Agency (ECHA) 'Guidance on requirements for substances in articles' posted at this URL: <https://echa.europa.eu/guidance-documents/guidance-on-reach>

## Compatible Parts



TE Part # CAT-D38999-DTS1A  
D38999: Square Flange, 9-35 insert



TE Part # CAT-D38999-DTS90  
Jam Nut: D38999, 11-05 Insert, Electroless Nickel Plating



TE Part # YDTS32F09NV0010000  
DUST COVER ASSEM



TE Part # YDTS32F09RV0010000  
DTS CAP ASSY, NICKEL, SIZE 9 PLUG



TE Part # YDTS32W09NV0010000  
DUST COVER ASSEM



TE Part # YDTS32W09RV0010000  
DUST COVER ASSEM



TE Part # YDTS23H09-35DCV001  
HERM RECP



TE Part # YDTS23H09-35SCV001  
HERM RECP



TE Part # YDTS23H09-35ZCV001  
HERM RECP



TE Part # YDTS20H09-35DC0000  
HERM RECP



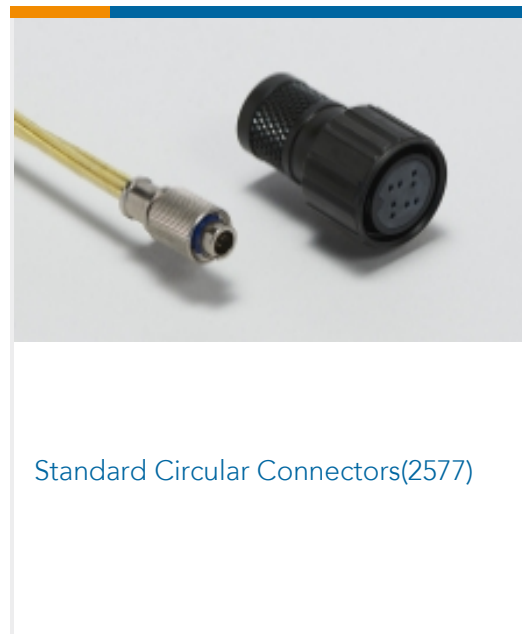
TE Part # YDTS20H09-35SC0000  
HERM RECP



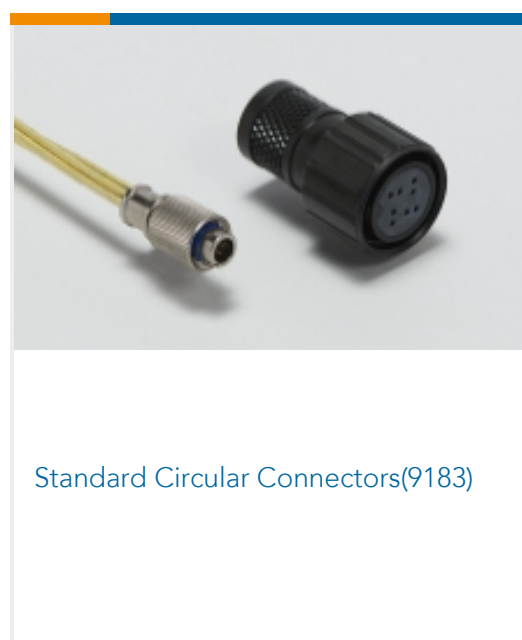
TE Part # YDTS20H09-35ZC0000  
HERM RECP



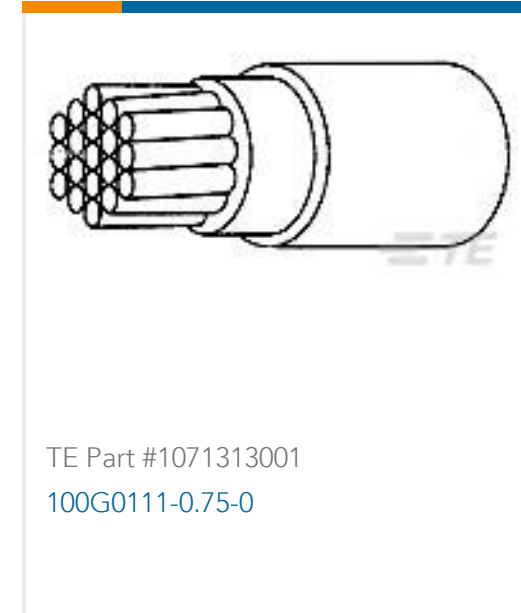
Also in the Series | **DEUTSCH 38999**



Also in the Series | **DEUTSCH 38999 Series III**



Customers Also Bought



## Documents

### Product Drawings

[PLUG ASSY](#)

English

### Datasheets & Catalog Pages

[DEUTSCH MIL-DTL-38999 CIRCULAR CONNECTORS](#)

English