

DTS24W19-35SN [V001] ✓ ACTIVE

DEUTSCH | DEUTSCH 38999 Series III

TE Internal #: YDTS24W19-35SNV001

Standard Circular Connectors, Cable-to-Panel, 66 Position,
Sealable, Wire & Cable, Signal, Panel Mount, Cadmium O.D.,
Aluminum, N Polarization Code

[View on TE.com >](#)



Connectors > Circular Connectors > Standard Circular Connectors > Jam Nut: D38999, 19-35 Insert



Connector System: **Cable-to-Panel**

Connector Mounting Type: **Panel Mount**

Number of Positions: **66**

Sealable: **Yes**

Connector & Contact Terminates To: **Wire & Cable**

[All Jam Nut: D38999, 19-35 Insert \(12\)](#)

Features

Product Type Features

Product Type	Connector Assembly
Connector System	Cable-to-Panel
Sealable	Yes
Connector & Contact Terminates To	Wire & Cable
Circular Connector Type	Receptacle
Shell Type	Jam Nut Receptacle

Configuration Features

Number of Positions	66
Number of Power Positions	0
Number of Signal Positions	66
Contacts Preloaded	Yes

Body Features

Shell Plating Material	Cadmium O.D.
Shell Base Material	Aluminum
Circular Connector Insulation Material Type	Hard Dielectric/Silicone
Hermetically Sealed	No



Contact Features

Contact Current Rating (Max)	5 A
Contact Layout Arrangement	9 – 35
Circular Connector Contact Type	Socket

Mechanical Attachment

Connector Mounting Type	Panel Mount
Polarization Code	N
Mating Alignment Type	Keyed
Mating Retention	With

Housing Features

Circular Connector Shell Size	19
Alignment Keyed	Clocking

Dimensions

Wire Size	.08 – .33 mm ²
-----------	---------------------------

Usage Conditions

Operating Temperature Range	-65 – 175 °C[-85 – 347 °F]
-----------------------------	----------------------------

Operation/Application

Circuit Application	Signal
Shielded	No

Product Compliance

[For compliance documentation, visit the product page on TE.com>](#)

EU RoHS Directive 2011/65/EU	Compliant
EU ELV Directive 2000/53/EC	Not Compliant
China RoHS 2 Directive MIIT Order No 32, 2016	No Restricted Materials Above Threshold
EU REACH Regulation (EC) No. 1907/2006	Current ECHA Candidate List: JUNE 2024 (241) Candidate List Declared Against: JAN 2023 (233) Does not contain REACH SVHC
Halogen Content	Low Halogen - Br, Cl, F, I < 900 ppm per homogenous material. Also BFR/CFR/PVC Free
Solder Process Capability	Not reviewed for solder process capability

Product Compliance Disclaimer

This information is provided based on reasonable inquiry of our suppliers and represents our current actual knowledge based on the information they provided. This information is subject to change. The part numbers that TE has identified as EU RoHS compliant have a maximum concentration of 0.1% by weight in homogenous materials for lead, hexavalent chromium, mercury, PBB, PBDE, DBP, BBP, DEHP, DIBP, and 0.01% for cadmium, or qualify for an exemption to these limits as defined in the Annexes of Directive 2011/65/EU (RoHS2). Finished electrical and electronic equipment products will be CE marked as required by Directive 2011/65/EU. Components may not be CE marked. Additionally, the part numbers that TE has identified as EU ELV compliant have a maximum concentration of 0.1% by weight in homogenous materials for lead, hexavalent chromium, and mercury, and 0.01% for cadmium, or qualify for an exemption to these limits as defined in the Annexes of Directive 2000/53/EC (ELV). Regarding the REACH Regulation, the information TE provides on SVHC in articles for this part number is based on the latest European Chemicals Agency (ECHA) 'Guidance on requirements for substances in articles' posted at this URL: <https://echa.europa.eu/guidance-documents/guidance-on-reach>

Compatible Parts



TE Part # CAT-D38999-DTS24E
D38999: Straight Plug, 19-35 Insert

Also in the Series | DEUTSCH 38999 Series III



Standard Circular Connectors(9183)

Customers Also Bought



TE Part #1-480698-0
02P UMNL PLUG HSG NATL



TE Part #YDTS26T13-35PNV001
PLUG ASSY



TE Part #YDTS20W25-24SNV001
RECP ASSY



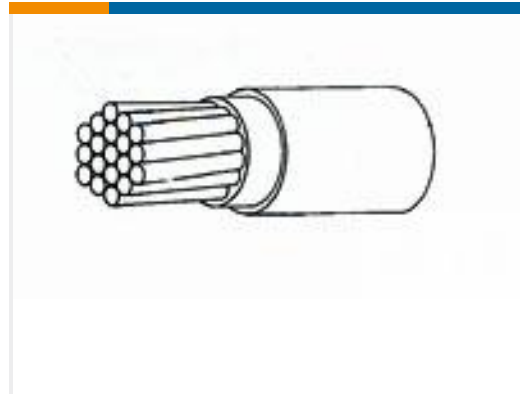
TE Part #YDTS24W17-06PAV001
RECP ASSY



TE Part #YDTS24W21-16SNV001
RECP ASSY



TE Part #YDTS26W19-11ABV001
PLUG ASSY



TE Part #218204-001
22759/34-20-9



TE Part #CV4356-000
HT-200-3/32-X-SP

Documents

Product Drawings

[RECP ASSY](#)

English

CAD Files

[3D PDF](#)

3D

Customer View Model

[ENG_CVM_CVM_YDTS24W19-35SNV001_99.2d_dxf.zip](#)

English

Customer View Model

[ENG_CVM_CVM_YDTS24W19-35SNV001_99.3d_igs.zip](#)

English

Customer View Model

[ENG_CVM_CVM_YDTS24W19-35SNV001_99.3d_stp.zip](#)

English

By downloading the CAD file I accept and agree to the [Terms and Conditions](#) of use.

Datasheets & Catalog Pages

[DEUTSCH MIL-DTL-38999 CIRCULAR CONNECTORS](#)

English