

DTS20F13-98PN [V001] ✓ ACTIVE

DEUTSCH | DEUTSCH 38999, DEUTSCH 38999 Series III

TE Internal #: YDTS20F13-98PNV001

Standard Circular Connectors, Cable-to-Panel, 10 Position,
Sealable, Wire & Cable, Signal, Panel Mount, Electroless Nickel,
DEUTSCH 38999 Series III

[View on TE.com >](#)



Connectors > Circular Connectors > Standard Circular Connectors > D38999: Square Flange, 13-98 insert



Connector System: **Cable-to-Panel**

Connector Mounting Type: **Panel Mount**

Number of Positions: **10**

Sealable: **Yes**

Connector & Contact Terminates To: **Wire & Cable**

[All D38999: Square Flange, 13-98 insert \(44\)](#)

Features

Product Type Features

Product Type	Connector Assembly
Connector System	Cable-to-Panel
Sealable	Yes
Connector & Contact Terminates To	Wire & Cable
Circular Connector Type	Receptacle
Shell Type	Square Flange Receptacle

Configuration Features

Number of Positions	10
Number of Power Positions	0
Number of Signal Positions	10
Contacts Preloaded	No

Body Features

Shell Plating Material	Electroless Nickel
Shell Base Material	Aluminum 6061-T6
Circular Connector Insulation Material Type	Hard Dielectric/Silicone
Hermetically Sealed	No



Contact Features

Contact Current Rating (Max)	7.5 A
Reverse Gender	No
Contact Layout Arrangement	13 – 98
Circular Connector Contact Type	Pin

Mechanical Attachment

Connector Mounting Type	Panel Mount
Polarization Code	N
Mating Alignment Type	Keyed
Mating Retention	With

Housing Features

Circular Connector Shell Size	13
Alignment Keyed	Clocking

Dimensions

Wire Size	.2 – .52 mm ²
-----------	--------------------------

Usage Conditions

Operating Temperature Range	-65 – 200 °C[-85 – 392 °F]
-----------------------------	----------------------------

Operation/Application

Circuit Application	Signal
Shielded	Yes

Product Compliance

[For compliance documentation, visit the product page on TE.com>](#)

EU RoHS Directive 2011/65/EU	Compliant with Exemptions
EU ELV Directive 2000/53/EC	Compliant with Exemptions
China RoHS 2 Directive MIIT Order No 32, 2016	Restricted Materials Above Threshold
EU REACH Regulation (EC) No. 1907/2006	Current ECHA Candidate List: JUNE 2024 (241) Candidate List Declared Against: JAN 2024 (240) SVHC > Threshold: Pb (1.2% in Contact Lead-Copper Alloy) Decamethylcyclopentasiloxane (D5) (5% in Insert Assembly) <small>Article Safe Usage Statements:</small>



Do not eat, drink or smoke when using this product. Wash thoroughly after handling. Recycle if possible and dispose of the article by following all applicable governmental regulations relevant to your geographic location.

Halogen Content

Not Yet Reviewed for halogen content

Solder Process Capability

Not reviewed for solder process capability

Product Compliance Disclaimer

This information is provided based on reasonable inquiry of our suppliers and represents our current actual knowledge based on the information they provided. This information is subject to change. The part numbers that TE has identified as EU RoHS compliant have a maximum concentration of 0.1% by weight in homogenous materials for lead, hexavalent chromium, mercury, PBB, PBDE, DBP, BBP, DEHP, DIBP, and 0.01% for cadmium, or qualify for an exemption to these limits as defined in the Annexes of Directive 2011/65/EU (RoHS2). Finished electrical and electronic equipment products will be CE marked as required by Directive 2011/65/EU. Components may not be CE marked. Additionally, the part numbers that TE has identified as EU ELV compliant have a maximum concentration of 0.1% by weight in homogenous materials for lead, hexavalent chromium, and mercury, and 0.01% for cadmium, or qualify for an exemption to these limits as defined in the Annexes of Directive 2000/53/EC (ELV). Regarding the REACH Regulation, the information TE provides on SVHC in articles for this part number is based on the latest European Chemicals Agency (ECHA) 'Guidance on requirements for substances in articles' posted at this URL: <https://echa.europa.eu/guidance-documents/guidance-on-reach>

Compatible Parts



TE Part # CAT-D38999-DTS180
Straight Plug: D38999, 13-98 Insert,
Electroless Nickel Plating

Also in the Series | DEUTSCH 38999




Standard Circular Connectors(2577)

Also in the Series | DEUTSCH 38999 Series III



Standard Circular Connectors(9183)

Customers Also Bought



TE Part #2-1617754-1
FCA-410-1622M=M83536/16-022M



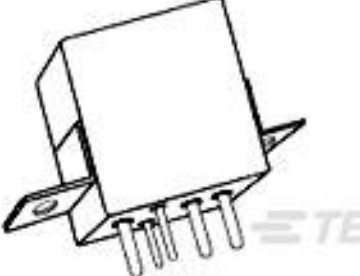
TE Part #34107
SOLIS R 22-16 COMM 22-18 MIL 6



TE Part #2-1617754-0
FCA-410-1622L=M83536/16-022L



TE Part #516465-000
55A1821-18-9/96-9CS2275



TE Part #5-1617791-2
FCA-125-3703L=M83536/37-003L

TE Part #Y72428-11-05PAV003
HERM RECP

TE Part #Y72428-11-05PBV003
HERM RECP

TE Part #Y72428-11-05PCV003
HERM RECP

Documents

Product Drawings

RECP ASSY

English

Datasheets & Catalog Pages

DEUTSCH MIL-DTL-38999 CIRCULAR CONNECTORS

English