



Connectors > Rectangular Connectors > Standard Rectangular Connectors > Rectangular Connectors: 3-Way Plug



Connector Product Type: **Connector Assembly**

Connector & Housing Type: **Plug**

Mating Alignment: **With**

Mating Alignment Type: **Keyed**

Mating Retention: **With**

[All Rectangular Connectors: 3-Way Plug \(24\)](#)

Features

Product Type Features

Connector Seal & Plug Type	Triple-Seal
Connector Shell Size	03
Connector Product Type	Connector Assembly
Connector & Housing Type	Plug
Connector System	Wire-to-Wire
Insertion Force Type	Normal
Sealable	Yes
Connector & Contact Terminates To	Wire & Cable

Configuration Features

Number of Cavities	3
Contacts Preloaded	Yes
Number of Power Positions	3
Number of Columns	3
Number of Signal Positions	3
Number of Positions	3
Number of Rows	1



Electrical Characteristics

Operating Voltage	400 VAC
-------------------	---------

Body Features

Connector Seal Color	Natural
Seal Type	Grommet Seal, Interfacial Seal
Cable Exit Angle	180°
Seal Material	Fluorosilicone
Connector & Keying Code	B

Contact Features

Contact Size	Size 22
Contact Type	Pin
Contact Retention Within Housing	With
Contact Current Rating (Max)	5 A

Termination Features

Termination Method to Wire & Cable	Crimp
------------------------------------	-------

Mechanical Attachment

Strain Relief	Without
Mating Alignment	With
Mating Alignment Type	Keyed
Mating Retention	With
Mating Retention Type	Button Latch

Housing Features

Shell Material	Composite
Housing Material	Composite
Housing Color	Blue
Centerline (Pitch)	2.54 mm[.1 in]

Dimensions

Row-to-Row Spacing	2.54 mm[.1 in]
Compatible Insulation Diameter Range	.71 – 1.37 mm[.028 – .054 in]

Usage Conditions

Operating Temperature Range	-55 – 175 °C[-67 – 347 °F]
-----------------------------	----------------------------

Operation/Application



Shielded	No
Circuit Application	Power & Signal

Product Compliance

[For compliance documentation, visit the product page on TE.com>](#)

EU RoHS Directive 2011/65/EU	Compliant
EU ELV Directive 2000/53/EC	Compliant
China RoHS 2 Directive MIIT Order No 32, 2016	No Restricted Materials Above Threshold
EU REACH Regulation (EC) No. 1907/2006	Current ECHA Candidate List: JUNE 2024 (241) Candidate List Declared Against: JUL 2021 (219) Does not contain REACH SVHC
Halogen Content	Low Halogen - Br, Cl, F, I < 900 ppm per homogenous material. Also BFR/CFR/PVC Free
Solder Process Capability	Reflow solder capable to 245°C

Product Compliance Disclaimer

This information is provided based on reasonable inquiry of our suppliers and represents our current actual knowledge based on the information they provided. This information is subject to change. The part numbers that TE has identified as EU RoHS compliant have a maximum concentration of 0.1% by weight in homogenous materials for lead, hexavalent chromium, mercury, PBB, PBDE, DBP, BBP, DEHP, DIBP, and 0.01% for cadmium, or qualify for an exemption to these limits as defined in the Annexes of Directive 2011/65/EU (RoHS2). Finished electrical and electronic equipment products will be CE marked as required by Directive 2011/65/EU. Components may not be CE marked. Additionally, the part numbers that TE has identified as EU ELV compliant have a maximum concentration of 0.1% by weight in homogenous materials for lead, hexavalent chromium, and mercury, and 0.01% for cadmium, or qualify for an exemption to these limits as defined in the Annexes of Directive 2000/53/EC (ELV). Regarding the REACH Regulation, the information TE provides on SVHC in articles for this part number is based on the latest European Chemicals Agency (ECHA) 'Guidance on requirements for substances in articles' posted at this URL: <https://echa.europa.eu/guidance-documents/guidance-on-reach>

Compatible Parts



TE Part # D369-R33-BS0
369 3 WAY REC, NO CONTACTS, SKT



TE Part # CAT-D369-B33
Rectangular Connectors: 3-Way Panel Mount , 90PCB



TE Part # CAT-D369-G33
PCB Mount Receptacle: 3-Way Inline

Also in the Series | DEUTSCH 369



PCB Headers & Receptacles(46)



Standard Rectangular Connectors(403)

Customers Also Bought



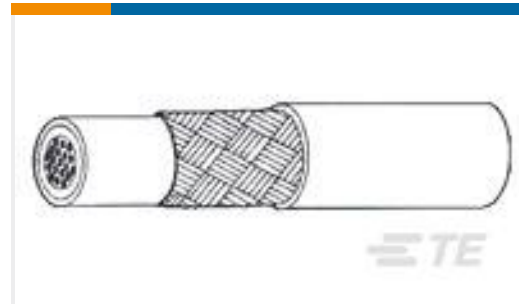
TE Part #D369-R66-BS0
369 6 WAY REC, NO CONTACTS, SKT



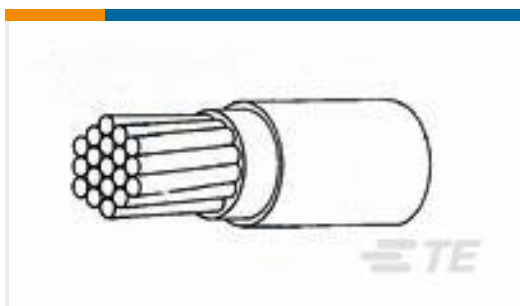
TE Part #D369-R33-AS0
369 3 WAY REC, NO CONTACTS, SKT



TE Part #YD369-P99-BS000000
369 9 WAY PLUG, NO CONTACTS, SKT



TE Part #146439-000
44AM1111-22-9-9CS2275



TE Part #265047-001
81044/9-4-9



TE Part #ZPF000000000007823
983-0Y 14-15 PN



TE Part #ZPF000000000008418
983-6RS 12-12 PN



TE Part #ZPF000000000008422
983-6RS 12-12 SN



TE Part #ZPF000000000009110
983-7RS 12-12 PN



TE Part #ZPF0000000000148562
732-8300-01

Documents

Product Drawings

[369 3 WAY PLUG, NO CONTACTS, PIN](#)

English

CAD Files

[3D PDF](#)

[3D](#)

Customer View Model

[ENG_CVM_CVM_D369-P33-BP0_A_c-d369-p33-bp0-a.2d_dxf.zip](#)



English

Customer View Model

[ENG_CVM_CVM_D369-P33-BP0_A_c-d369-p33-bp0-a.3d_igs.zip](#)

English

Customer View Model

[ENG_CVM_CVM_D369-P33-BP0_A_c-d369-p33-bp0-a.3d_stp.zip](#)

English

By downloading the CAD file I accept and agree to the [Terms and Conditions](#) of use.