



Connectors > Rectangular Connectors > Standard Rectangular Connectors > Rectangular Connectors: 6-Way Panel Mount, 90PCB



Connector Product Type: **Connector Assembly**

Connector & Housing Type: **Receptacle**

Mating Alignment: **With**

Mating Alignment Type: **Keyed**

Mating Retention: **With**

[All Rectangular Connectors: 6-Way Panel Mount, 90PCB \(30\)](#)

Features

Product Type Features

Connector Seal & Plug Type	Triple-Seal
Connector Shell Size	06
Connector Product Type	Connector Assembly
Connector & Housing Type	Receptacle
Connector System	Wire-to-Board
Insertion Force Type	Normal
Sealable	Yes
Connector & Contact Terminates To	Printed Circuit Board

Configuration Features

Number of Cavities	6
Contacts Preloaded	Yes
Number of Power Positions	6
Number of Columns	3
PCB Mount Orientation	Right Angle
Number of Signal Positions	6
Number of Positions	6



Number of Rows	2
----------------	---

Electrical Characteristics

Operating Voltage	400 VAC
-------------------	---------

Body Features

Connector Seal Color	Natural
Seal Type	Grommet Seal, Interfacial Seal, Panel Gasket
Cable Exit Angle	180°
Seal Material	Fluorosilicone
Connector & Keying Code	B

Contact Features

Contact Size	Size 22
Contact Type	Pin
PCB Contact Termination Area Plating Material	Gold
Contact Mating Area Plating Material	Gold
Contact Retention Within Housing	With
Contact Current Rating (Max)	5 A

Termination Features

Termination Method to Printed Circuit Board	Through Hole - Solder
Termination Method to Wire & Cable	Crimp

Mechanical Attachment

PCB Mount Alignment Type	Solder Tail Layout
PCB Mount Alignment	With
PCB Mount Retention	With
Panel Mount Feature Type	Clip, Mounting Hole
PCB Mount Retention Type	Guide Post
Mating Alignment	With
Mating Alignment Type	Keyed
Mating Retention	With
Mating Retention Type	Button Latch
Connector Mounting Type	Panel Mount

Housing Features



Shell Material	Composite
Housing Material	Composite
Housing Color	Blue
Centerline (Pitch)	2.54 mm[.1 in]

Dimensions

PCB Thickness (Recommended)	1.6 mm[.063 in]
Row-to-Row Spacing	2.54 mm[.1 in]
Compatible Insulation Diameter Range	.71 – 1.37 mm[.028 – .054 in]

Usage Conditions

Operating Temperature Range	-55 – 175 °C[-67 – 347 °F]
-----------------------------	----------------------------

Operation/Application

Shielded	No
Circuit Application	Power & Signal

Product Compliance

[For compliance documentation, visit the product page on TE.com>](#)

EU RoHS Directive 2011/65/EU	Compliant with Exemptions
EU ELV Directive 2000/53/EC	Not Yet Reviewed
China RoHS 2 Directive MIIT Order No 32, 2016	Restricted Materials Above Threshold
EU REACH Regulation (EC) No. 1907/2006	Current ECHA Candidate List: JUNE 2024 (241) Candidate List Declared Against: JAN 2024 (240) SVHC > Threshold: Pb (1.2% in Contact) Article Safe Usage Statements: Do not eat, drink or smoke when using this product. Wash thoroughly after handling. Recycle if possible and dispose of the article by following all applicable governmental regulations relevant to your geographic location.
Halogen Content	Not Yet Reviewed for halogen content
Solder Process Capability	Reflow solder capable to 245°C

Product Compliance Disclaimer

This information is provided based on reasonable inquiry of our suppliers and represents our current actual knowledge based on the information they provided. This information is subject to change. The part numbers that TE has identified as EU RoHS compliant have a maximum concentration of 0.1% by weight in homogenous materials for lead, hexavalent chromium, mercury, PBB, PBDE, DBP, BBP, DEHP, DIBP, and 0.01% for cadmium, or qualify for an exemption to these limits as defined in the Annexes of Directive 2011/65/EU (RoHS2). Finished electrical and electronic equipment products will be CE marked as required by Directive 2011/65/EU. Components may not be CE marked. Additionally, the part numbers that TE has identified as EU ELV compliant have a maximum concentration of 0.1% by weight in homogenous materials for lead, hexavalent chromium, and mercury, and 0.01% for cadmium, or qualify for an exemption to these limits as defined in the Annexes of Directive 2000/53/EC (ELV). Regarding the REACH Regulation, the information TE provides



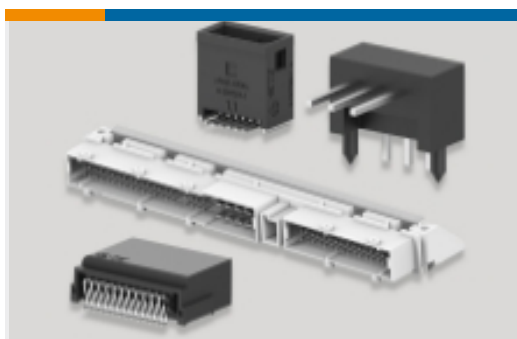
on SVHC in articles for this part number is based on the latest European Chemicals Agency (ECHA) 'Guidance on requirements for substances in articles' posted at this URL: <https://echa.europa.eu/guidance-documents/guidance-on-reach>

Compatible Parts



TE Part # YD369-P66-BS000000
369 6 WAY PLUG, NO CONTACTS,
SKT

Also in the Series | DEUTSCH 369



PCB Headers & Receptacles(46)

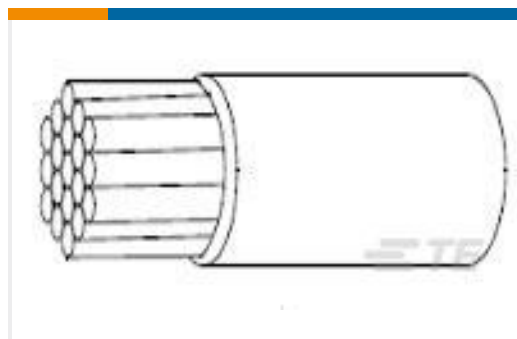


Standard Rectangular Connectors(403)

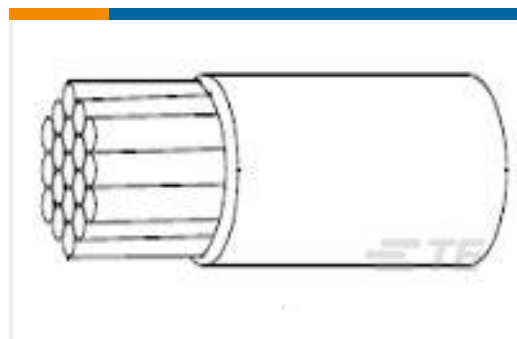
Customers Also Bought



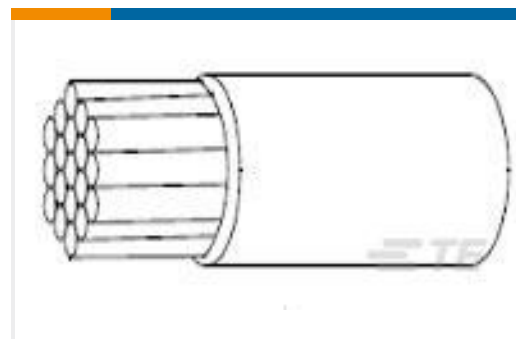
TE Part #38946-22
CONTACTS (=724-0003-22)



TE Part #216385-001
22759/32-20-0



TE Part #216285-000
22759/32-20-2



TE Part #216375-002
22759/32-22-2



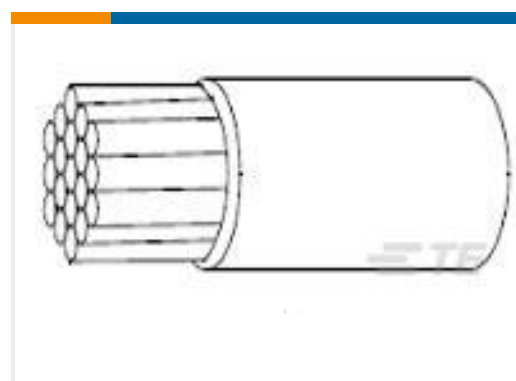
TE Part #YD369-P66-BS000000
Rectangular Connectors: 6-Way Plug



TE Part #ZPF000000000107200
787-8055-11M



TE Part #YD369-B66-AP400000
369 6 WAY PANEL MNT REC, 90 PCB
GOLD,PIN



TE Part #216202-001
22759/32-22-0



Documents

Product Drawings

[369 6 WAY PANEL MNT REC, 90 PCB GOLD,PIN](#)

English

[369 6 WAY PANEL MNT REC, 90 PCB GOLD,PIN](#)

English

CAD Files

[3D PDF](#)

3D

Customer View Model

[ENG_CVM_CVM_YD369-B66-BP400000_AA.2d_dxf.zip](#)

English

Customer View Model

[ENG_CVM_CVM_YD369-B66-BP400000_AA.3d_igs.zip](#)

English

Customer View Model

[ENG_CVM_CVM_YD369-B66-BP400000_AA.3d_stp.zip](#)

English

By downloading the CAD file I accept and agree to the [Terms and Conditions](#) of use.