



Product Compliance

[For compliance documentation, visit the product page on TE.com>](#)

EU RoHS Directive 2011/65/EU	Compliant
EU ELV Directive 2000/53/EC	Compliant
China RoHS 2 Directive MIIT Order No 32, 2016	No Restricted Materials Above Threshold
EU REACH Regulation (EC) No. 1907/2006	Current ECHA Candidate List: JUNE 2023 (235) Candidate List Declared Against: JUNE 2023 (235) Does not contain REACH SVHC
Halogen Content	Out of Scope - excluded from Halogen requirements
Solder Process Capability	Not applicable for solder process capability

Product Compliance Disclaimer

This information is provided based on reasonable inquiry of our suppliers and represents our current actual knowledge based on the information they provided. This information is subject to change. The part numbers that TE has identified as EU RoHS compliant have a maximum concentration of 0.1% by weight in homogenous materials for lead, hexavalent chromium, mercury, PBB, PBDE, DBP, BBP, DEHP, DIBP, and 0.01% for cadmium, or qualify for an exemption to these limits as defined in the Annexes of Directive 2011/65/EU (RoHS2). Finished electrical and electronic equipment products will be CE marked as required by Directive 2011/65/EU. Components may not be CE marked. Additionally, the part numbers that TE has identified as EU ELV compliant have a maximum concentration of 0.1% by weight in homogenous materials for lead, hexavalent chromium, and mercury, and 0.01% for cadmium, or qualify for an exemption to these limits as defined in the Annexes of Directive 2000/53/EC (ELV). Regarding the REACH Regulation, the information TE provides on SVHC in articles for this part number is based on the latest European Chemicals Agency (ECHA) 'Guidance on requirements for substances in articles' posted at this URL: <https://echa.europa.eu/guidance-documents/guidance-on-reach>

Also in the Series | CGS SP



Primary Wire(4)



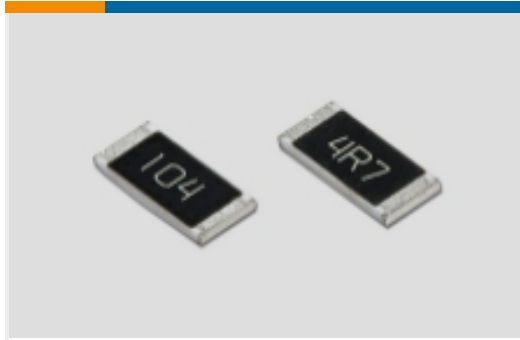
RJ45 Connectors(9)



Standard Circular Connectors(4)



Standard Labels(10)



Surface Mount Resistors(40)



Through-Hole Resistors(1)



Twisted Pair Cable(1)

Customers Also Bought



TE Part #3-1625931-0
MCU 4K7 10% 1"PL



TE Part #3-1825010-7
ASE6204=6PDT AUTOSLIDE



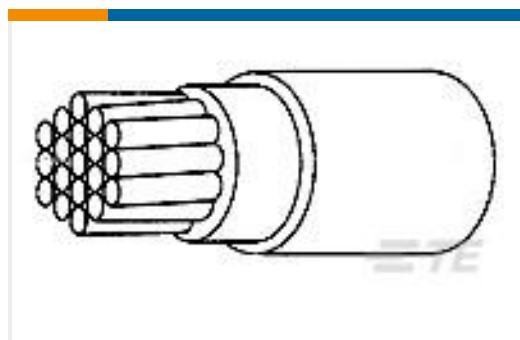
TE Part #2-1625931-9
MCU 2K2 10% 1"PL



TE Part #1617030-9
HFW1201D00 = HFW 1/2 SIZE RELA



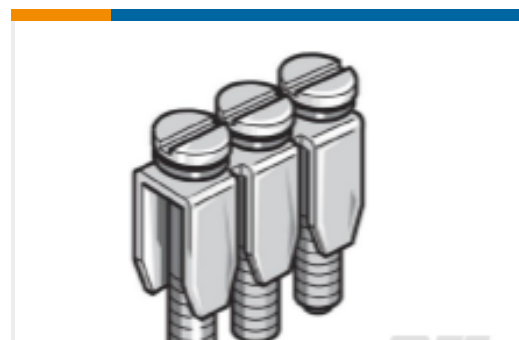
TE Part #1SNK900001R0000
BAM4



TE Part #7724153001
99M0111-24-2L



TE Part #1SNA165113R1600
M4/6.P



TE Part #1SNA173520R2200
BJM6D-10