

1. [D08A-12TL]

Fans & Blowers

DC axial flow fans 80 to 89mm D08A [D08A-12TL]



General-use DC axial flow fan (80 x 80 x 25 mm)

Direct-current drive operated general fan motor. The ball bearing type used in ball bearings introduces a ball between the rotor axis and the stator, providing smooth rotation, and thus has the characteristic of not generating extra heat in the rotor and stator. The service life of fan motors is dependent on deterioration caused by increased temperatures, and bearings using ball bearings are considered to provide long service life. Please contact us for details.

- Low noise
- Low vibration
- Energy saving
- Environmental performance
- Quietness
- RoHs support

Product data

Basic information

Power type	DC
Size	80 × 80 mm
L dimension	25 mm
Operation temperature	-10 ~ 70 °C
Lifespan	40000 hours Expected service life with 90% remaining in service when continually operated in the free air state with an ambient temperature of 40°C Reference value.
Weight	100 g
Bearing	Ball bearing
Manufacturer name	NIDEC CORPORATION

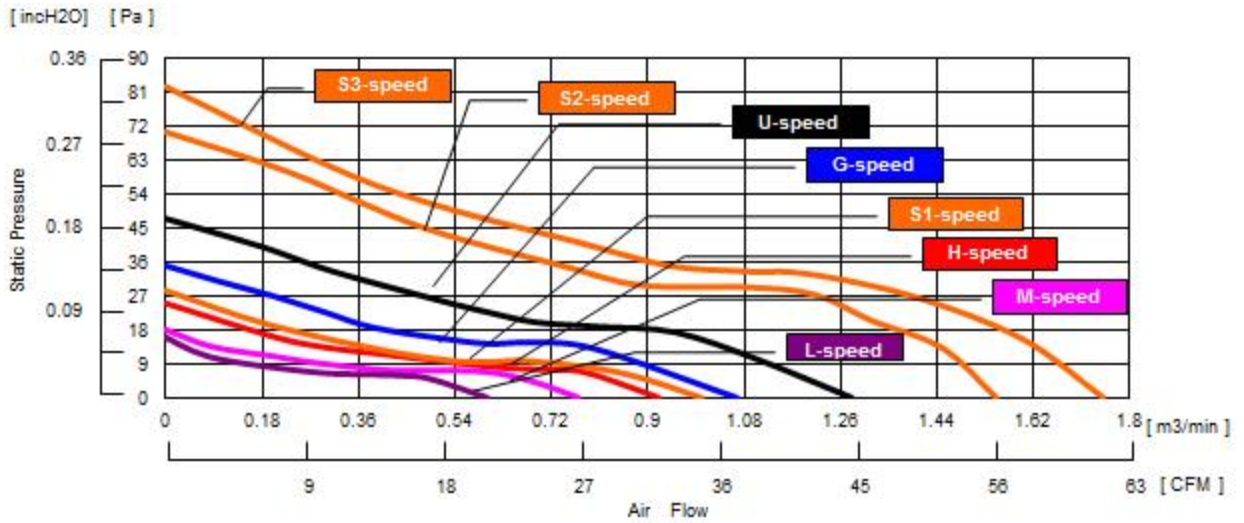
Input

Rated voltage	12 V10.8 ~ 13.8 V
Operating current	0.06 A
Rated input	0.72 W

Output

Rated speed	1850 min-1
Maximum air flow (m³/min)	0.7 m ³ /min
Maximum air flow (CFM)	24.7 CFM
Maximum static pressure (Pa)	15 Pa
Maximum static pressure (inchH₂O)	0.06 inchH ₂ O
Sound pressure [db (A)]	19 dB[A]

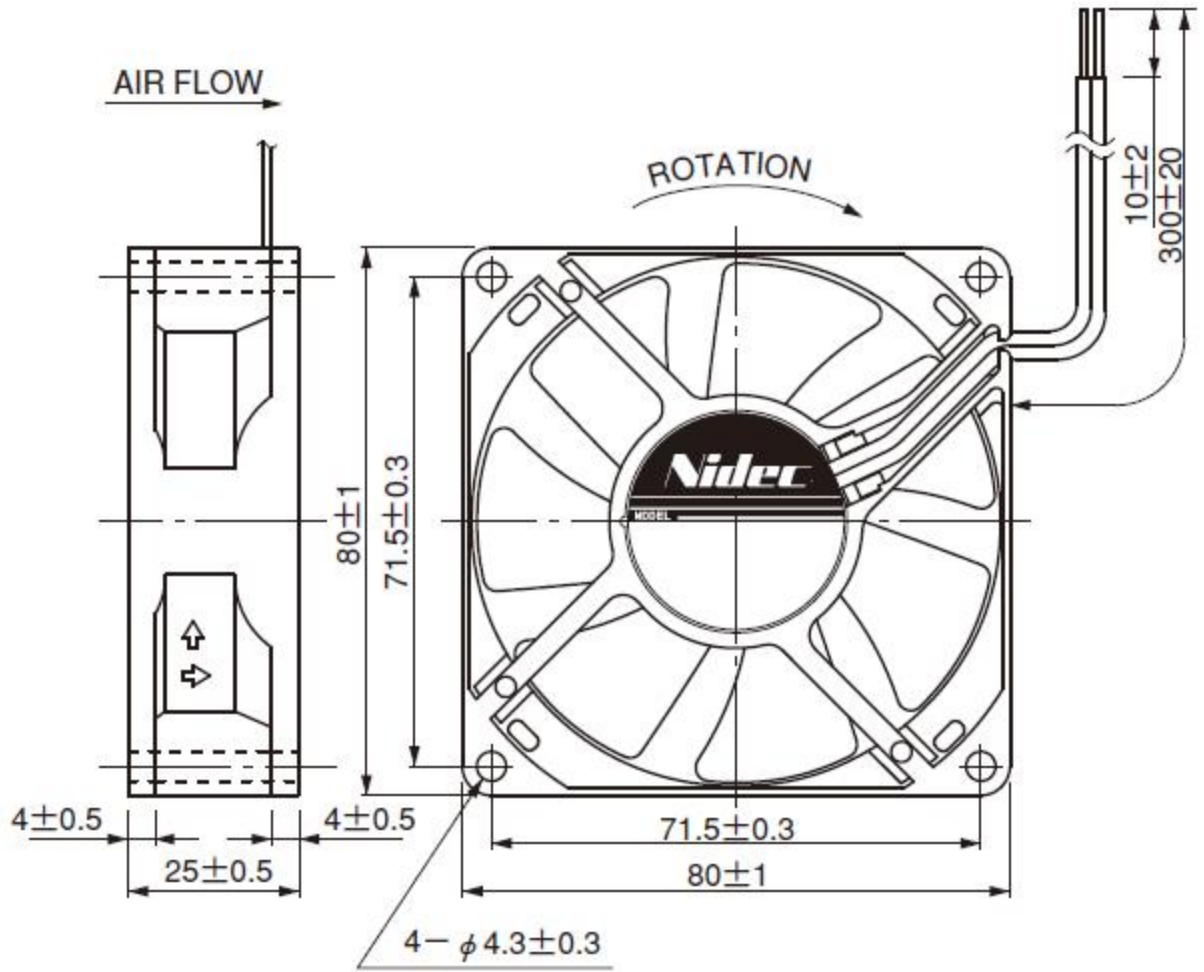
Characteristic graph



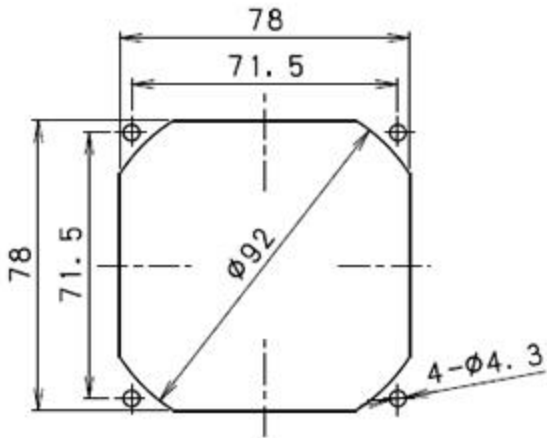
本製品の仕様は改良などのため、予告無しに変更することがございます。
Specification is subject to change for improvement without notice.

Note: The data gives typical characteristics at the rated voltage.
 Sound level This is the value measured 1 meter from the intake surface.
 The power supply PWM is not covered by the warranty.
 Power supply voltage ripples are set to $\pm 5\%$ of the rated voltage.
 For information about rated voltage other than the above, please inquire separately.

Drawing



OUTLET SIDE



INLET SIDE

