

D-621-0476-L ✓ ACTIVE

RAYCHEM

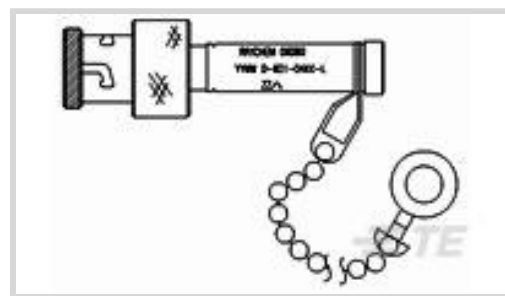
TE Internal #: 835761-000

Plug Data Bus Terminator, Bayonet, Code D, Pin, 3000  $\Omega$

[View on TE.com >](#)



Cable Assemblies > Data Bus Components > Data Bus Terminators



Contact Type: Pin

Impedance: 3000  $\Omega$

Data Bus Connector Style: Bayonet

Data Bus Connector Type: Plug

Polarization Code: D

## Features

### Product Type Features

Data Bus Connector Style	Bayonet
Data Bus Connector Type	Plug

### Electrical Characteristics

Impedance	3000 $\Omega$
-----------	---------------

### Contact Features

Contact Type	Pin
--------------	-----

### Termination Features

Termination Method to Wire & Cable	Solder
------------------------------------	--------

### Mechanical Attachment

Polarization Code	D
-------------------	---

### Usage Conditions

Operating Temperature (Max)	125 $^{\circ}\text{C}$
-----------------------------	------------------------

## Product Compliance

[For compliance documentation, visit the product page on TE.com>](#)

EU RoHS Directive 2011/65/EU	Not Compliant
EU ELV Directive 2000/53/EC	Not Compliant
China RoHS 2 Directive MIIT Order No 32, 2016	Restricted Materials Above Threshold
EU REACH Regulation (EC) No. 1907/2006	



Current ECHA Candidate List: JAN 2024  
(240)

Candidate List Declared Against: JAN 2024  
(240)

SVHC > Threshold:  
Pb (63% in Contact)

**Article Safe Usage Statements:**  
Do not eat, drink or smoke when using this product. Wash thoroughly after handling. Recycle if possible and dispose of the article by following all applicable governmental regulations relevant to your geographic location.

Halogen Content	BFR/CFR/PVC Free, but Br/Cl >900 ppm in other sources.
Solder Process Capability	Not applicable for solder process capability

Product Compliance Disclaimer

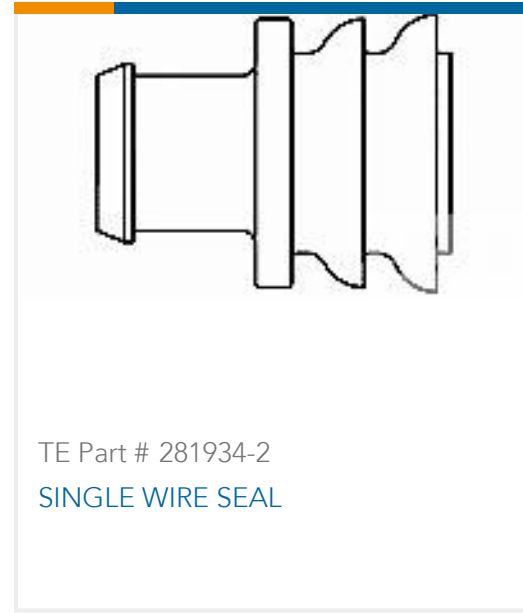
This information is provided based on reasonable inquiry of our suppliers and represents our current actual knowledge based on the information they provided. This information is subject to change. The part numbers that TE has identified as EU RoHS compliant have a maximum concentration of 0.1% by weight in homogenous materials for lead, hexavalent chromium, mercury, PBB, PBDE, DBP, BBP, DEHP, DIBP, and 0.01% for cadmium, or qualify for an exemption to these limits as defined in the Annexes of Directive 2011/65/EU (RoHS2). Finished electrical and electronic equipment products will be CE marked as required by Directive 2011/65/EU. Components may not be CE marked. Additionally, the part numbers that TE has identified as EU ELV compliant have a maximum concentration of 0.1% by weight in homogenous materials for lead, hexavalent chromium, and mercury, and 0.01% for cadmium, or qualify for an exemption to these limits as defined in the Annexes of Directive 2000/53/EC (ELV). Regarding the REACH Regulation, the information TE provides on SVHC in articles for this part number is based on the latest European Chemicals Agency (ECHA) 'Guidance on requirements for substances in articles' posted at this URL: <https://echa.europa.eu/guidance-documents/guidance-on-reach>

## Compatible Parts



## Customers Also Bought





## Documents

### Product Drawings

[D-621-0476-L](#)

English

### Datasheets & Catalog Pages

[Data Bus Components Brochure](#)

English

### Product Specifications

[Product Specification](#)

English

[Product Specification](#)

English