

852571-000 ✓ ACTIVE

RAYCHEM

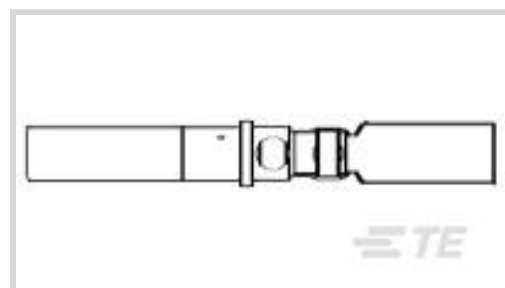
TE Internal #: 852571-000

Shielded Contacts, Twisted Pair Compatible With Wire & Cable Type, Socket, Size 16 Contact Size, 26 – 30 AWG Wire Size, .14 – .05 mm² Wire Size

[View on TE.com >](#)



Wire Protection & Management > Interconnect Devices > Shielded Contacts



Compatible With Wire & Cable Type: **Twisted Pair**

Contact Type: **Socket**

Contact Size: **Size 16**

Wire Size: **26 – 30 AWG**

Features

Configuration Features

Compatible With Wire & Cable Type	Twisted Pair
-----------------------------------	--------------

Contact Features

Contact Type	Socket
Contact Size	Size 16

Dimensions

Wire Size	26 – 30 AWG
-----------	-------------

Usage Conditions

Operating Temperature (Max)	125 °C
-----------------------------	--------

Industry Standards

Military Standard	MIL-DTL-38999 I, III, IV
-------------------	--------------------------

Product Compliance

[For compliance documentation, visit the product page on TE.com>](#)

EU RoHS Directive 2011/65/EU	Not Compliant
EU ELV Directive 2000/53/EC	Not Compliant
China RoHS 2 Directive MIIT Order No 32, 2016	Restricted Materials Above Threshold
EU REACH Regulation (EC) No. 1907/2006	Current ECHA Candidate List: JUNE 2024 (241) Candidate List Declared Against: JAN 2024 (240)



SVHC > Threshold:

Pb (37% in Solder)

Article Safe Usage Statements:

Do not eat, drink or smoke when using this product. Wash thoroughly after handling. Recycle if possible and dispose of the article by following all applicable governmental regulations relevant to your geographic location.

Halogen Content

BFR/CFR/PVC Free, but Br/Cl >900 ppm in other sources.

Solder Process Capability

Not applicable for solder process capability

Product Compliance Disclaimer

This information is provided based on reasonable inquiry of our suppliers and represents our current actual knowledge based on the information they provided. This information is subject to change. The part numbers that TE has identified as EU RoHS compliant have a maximum concentration of 0.1% by weight in homogenous materials for lead, hexavalent chromium, mercury, PBB, PBDE, DBP, BBP, DEHP, DIBP, and 0.01% for cadmium, or qualify for an exemption to these limits as defined in the Annexes of Directive 2011/65/EU (RoHS2). Finished electrical and electronic equipment products will be CE marked as required by Directive 2011/65/EU. Components may not be CE marked. Additionally, the part numbers that TE has identified as EU ELV compliant have a maximum concentration of 0.1% by weight in homogenous materials for lead, hexavalent chromium, and mercury, and 0.01% for cadmium, or qualify for an exemption to these limits as defined in the Annexes of Directive 2000/53/EC (ELV). Regarding the REACH Regulation, the information TE provides on SVHC in articles for this part number is based on the latest European Chemicals Agency (ECHA) 'Guidance on requirements for substances in articles' posted at this URL: <https://echa.europa.eu/guidance-documents/guidance-on-reach>

Compatible Parts

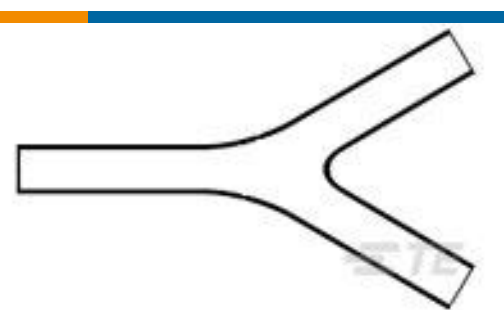


TE Part # EG8162-000
 HL1920E-230V-EURO

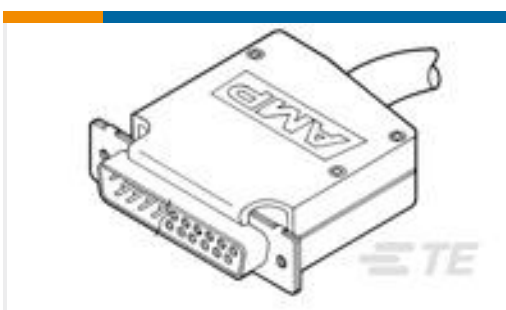
Customers Also Bought



TE Part #6325250001
 TMS-SCE-1/2-2.0-4



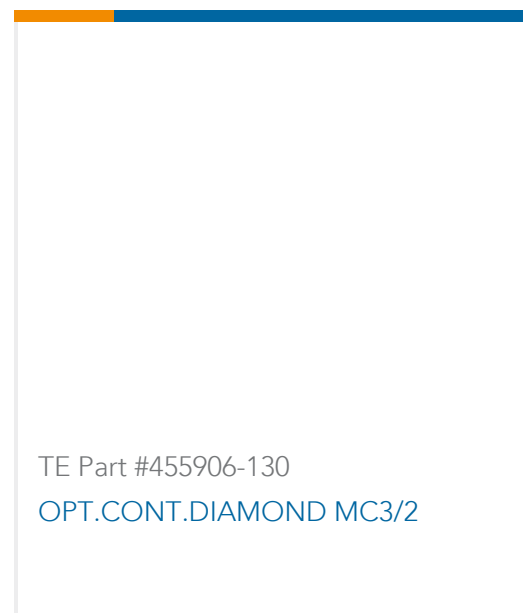
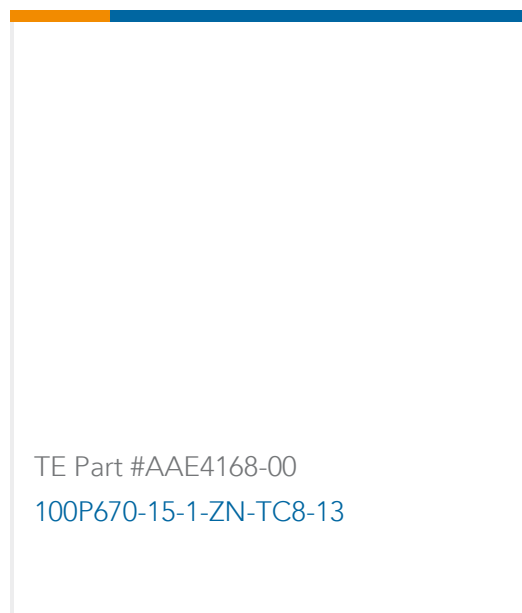
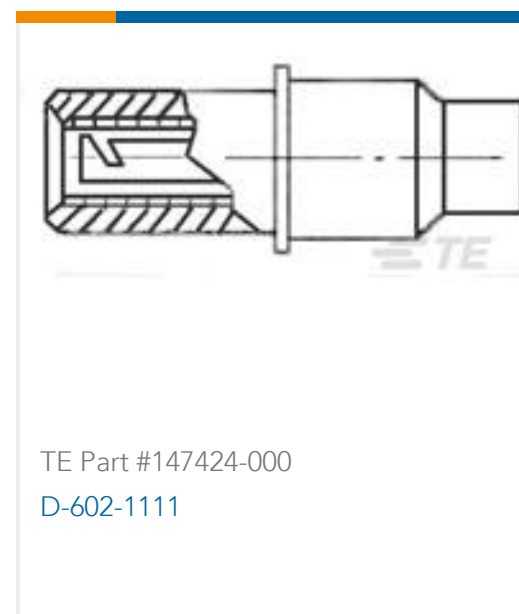
TE Part #820182-000
 381A301-71-0



TE Part #5206393-1
 AMPLIMITE ASSY, SIZE 2



TE Part #6504744001
 DR-25-TW-3/32-0-SP



Documents

Product Drawings

[D-602-0143](#)

English

Datasheets & Catalog Pages

[1654025_Sec8_D-602](#)

English

SolderTacts Contacts

English

Product Specifications

[SolderTact Military-Grade Electrical Contacts for Solder Termination](#)

English

[Terminating Size 16 Series 999 SolderTact Contacts for Twisted Pair Cable D-602-0142, -0143, -0174](#)

English