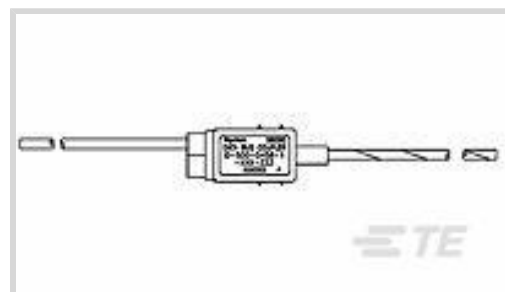




Cable Assemblies > Data Bus Components > Data Bus Couplers



Coupler Type: **In-Line Microcoupler**

Number of Stubs: 1

Cable Assembly Length: 2.007 m [ 6.58 ft ]

## Features

### Product Type Features

Data Bus Cable Type	10612 (Single Optimized Shield Cable)
Coupler Type	In-Line Microcoupler

### Configuration Features

Coupler Options	With Internal Terminator but with Reverse Bus
Number of Stubs	1

### Termination Features

Termination Method to Wire & Cable	Solder
------------------------------------	--------

### Usage Conditions

Operating Temperature (Max)	150 °C
-----------------------------	--------

### Other

Cable Assembly Length	2.007 m[6.58 ft]
-----------------------	------------------

## Product Compliance

[For compliance documentation, visit the product page on TE.com>](#)

EU RoHS Directive 2011/65/EU	Compliant
EU ELV Directive 2000/53/EC	Compliant
China RoHS 2 Directive MIIT Order No 32, 2016	No Restricted Materials Above Threshold
EU REACH Regulation (EC) No. 1907/2006	Current ECHA Candidate List: JUNE 2024 (241) Candidate List Declared Against: JAN 2024 (240)

Does not contain REACH SVHC

Halogen Content

Low Halogen - Br, Cl, F, I < 900 ppm per homogenous material. Also BFR/CFR/PVC Free

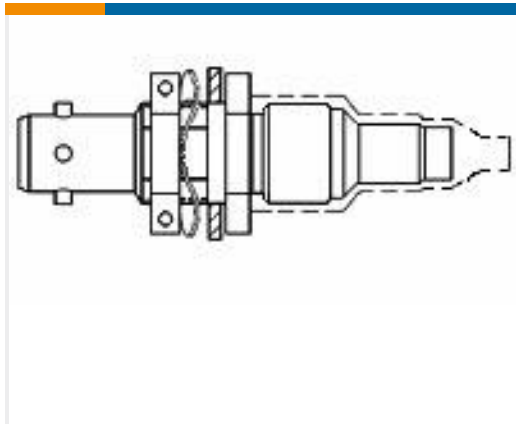
Solder Process Capability

Not applicable for solder process capability

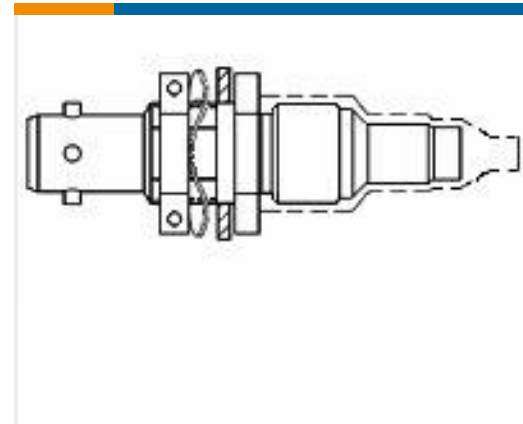
Product Compliance Disclaimer

This information is provided based on reasonable inquiry of our suppliers and represents our current actual knowledge based on the information they provided. This information is subject to change. The part numbers that TE has identified as EU RoHS compliant have a maximum concentration of 0.1% by weight in homogenous materials for lead, hexavalent chromium, mercury, PBB, PBDE, DBP, BBP, DEHP, DIBP, and 0.01% for cadmium, or qualify for an exemption to these limits as defined in the Annexes of Directive 2011/65/EU (RoHS2). Finished electrical and electronic equipment products will be CE marked as required by Directive 2011/65/EU. Components may not be CE marked. Additionally, the part numbers that TE has identified as EU ELV compliant have a maximum concentration of 0.1% by weight in homogenous materials for lead, hexavalent chromium, and mercury, and 0.01% for cadmium, or qualify for an exemption to these limits as defined in the Annexes of Directive 2000/53/EC (ELV). Regarding the REACH Regulation, the information TE provides on SVHC in articles for this part number is based on the latest European Chemicals Agency (ECHA) 'Guidance on requirements for substances in articles' posted at this URL: <https://echa.europa.eu/guidance-documents/guidance-on-reach>

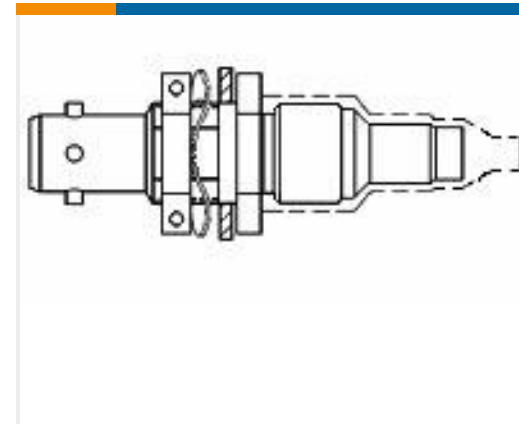
## Compatible Parts



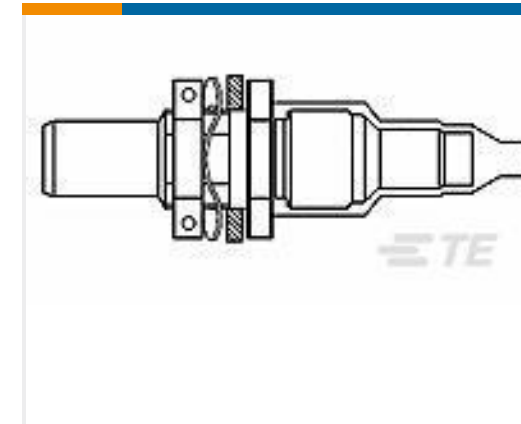
TE Part # 042871-000  
DK-621-0440-4P



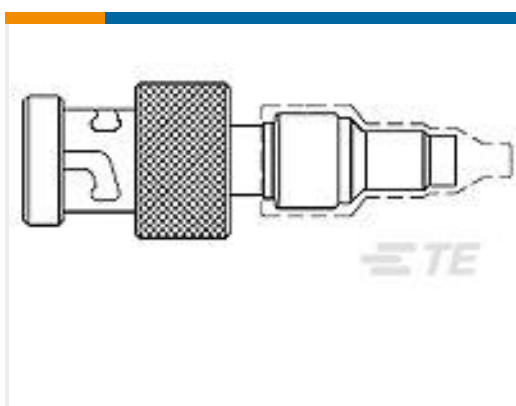
TE Part # 143981-000  
DK-621-0434-1S



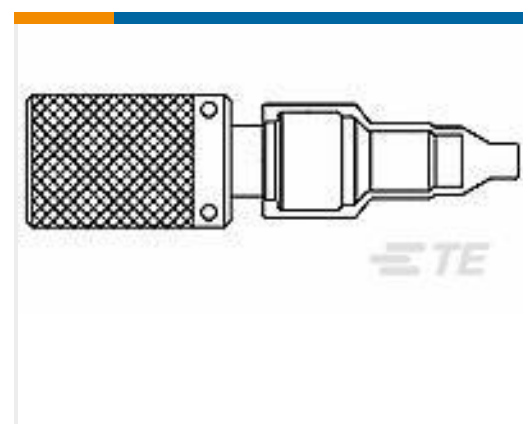
TE Part # 241251-000  
DK-621-0440-4S



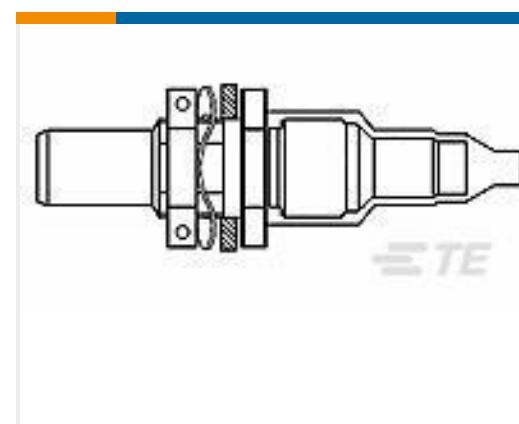
TE Part # 118345-000  
DK-621-0412-P



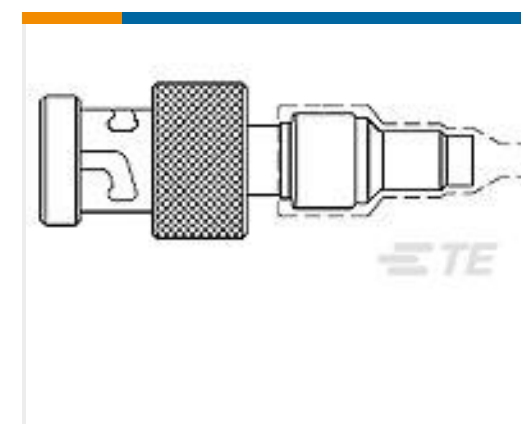
TE Part # 014939-000  
DK-621-0439-4S



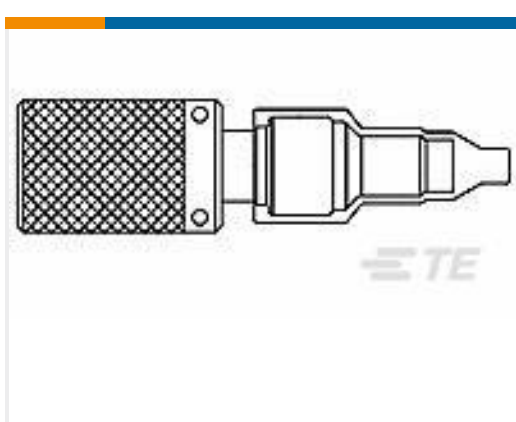
TE Part # 191045-000  
DK-621-0411-S



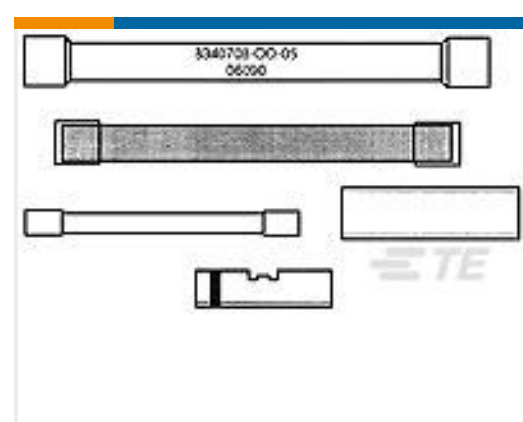
TE Part # 503123-000  
DK-621-0412-S



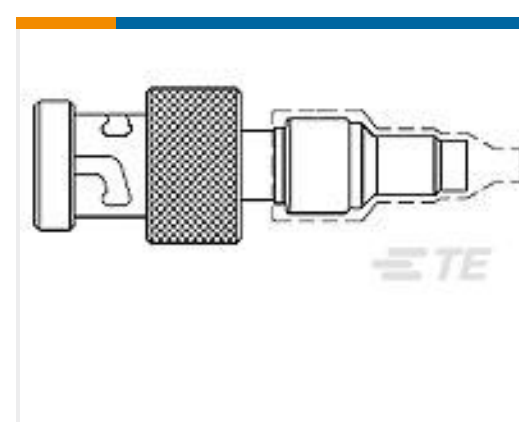
TE Part # 390299-000  
DK-621-0439-4P



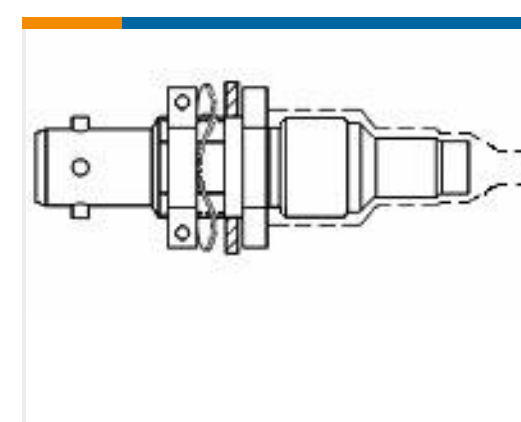
TE Part # 902973-000  
DK-621-0411-P



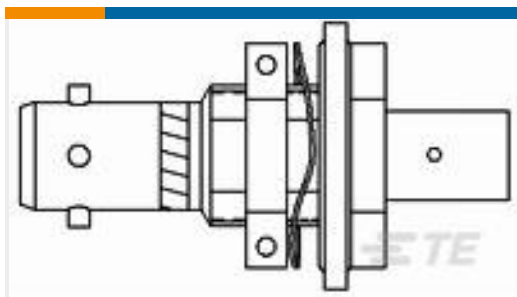
TE Part # 449453-000  
D-150-0708-5



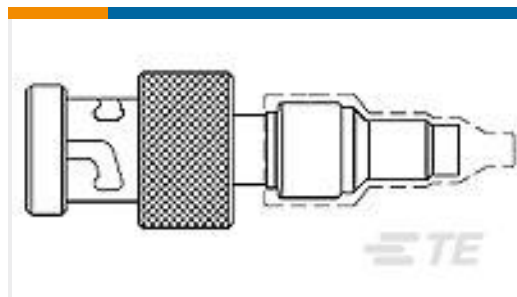
TE Part # 724447-000  
DK-621-0435-2S



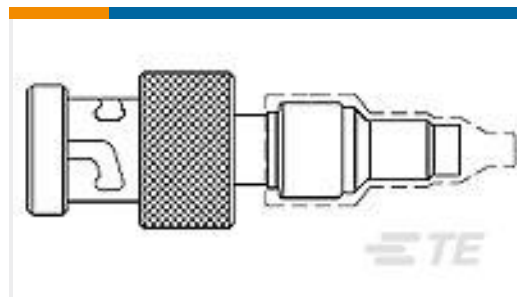
TE Part # 530805-000  
DK-621-0436-2P



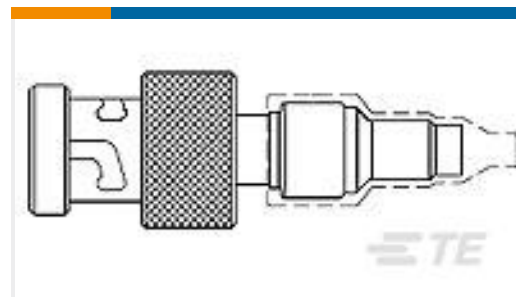
TE Part # 704201-000  
DK-621-0438-3S



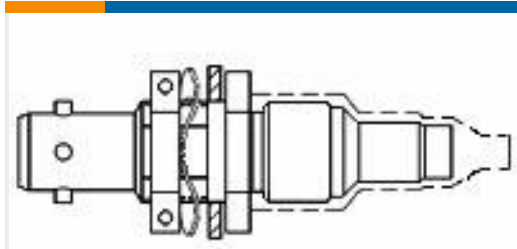
TE Part # 734989-000  
DK-621-0437-3S



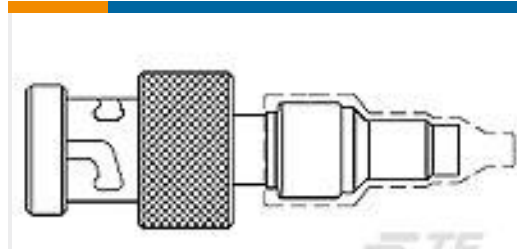
TE Part # 070351-000  
DK-621-0435-2P



TE Part # 652913-000  
DK-621-0437-3P



TE Part # 638491-000  
DK-621-0434-1P



TE Part # 633671-000  
DK-621-0433-1S



TE Part # 349147-000  
D-500-0463-612



TE Part # 365668-000  
DK-621-0439-4US

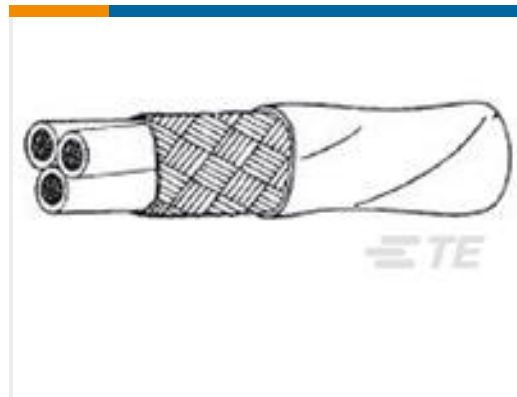
## Customers Also Bought



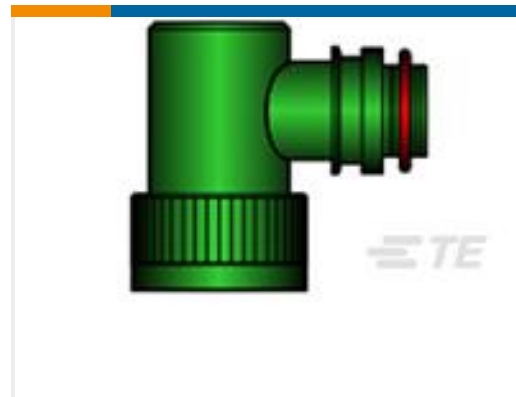
TE Part #EK7312-000  
222S152-25C-0



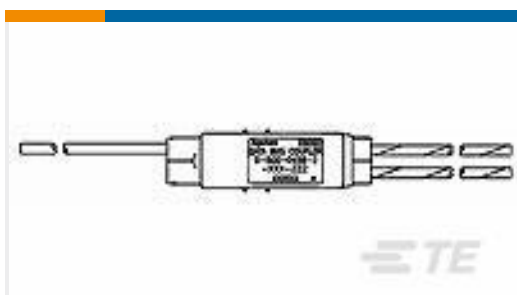
TE Part #316185-002  
55A1121-20-0/9-9



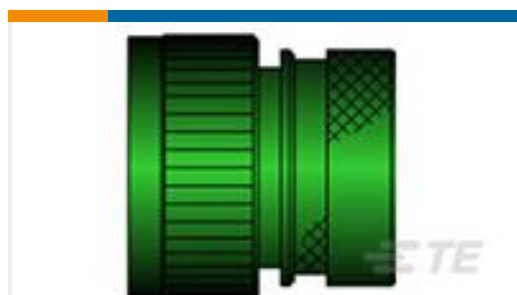
TE Part #935869-000  
55A1131-20-0/2/9-9



TE Part #946223-000  
TXR40AB90-1612AI



TE Part #816300-000  
D-500-0458-2-612-079



TE Part #771262-000  
209M418-19B

## Documents

### Product Drawings

[D-500-0458-1-612-079](#)

English

### Datasheets & Catalog Pages

[Data Bus Components Brochure](#)

English

### Product Specifications

[Product Specification](#)



English