



Wire Protection & Management > Interconnect Devices > SolderSleeve Shield Terminators



Operating Temperature (Max): 150 °C

Expanded Inside Diameter (Min): 2.41 mm [.095 in]

Recovered Inside Diameter (Max): 1.4 mm [.055 in]

Pre-Installed Lead: No

Wire Temperature (Max): 125 °C

Features

Configuration Features

| | |
|--------------------|----|
| Pre-Installed Lead | No |
|--------------------|----|

Dimensions

| | |
|---------------------------------|-------------------|
| Expanded Inside Diameter (Min) | 2.41 mm [.095 in] |
| Recovered Inside Diameter (Max) | 1.4 mm [.055 in] |

Usage Conditions

| | |
|-----------------------------|--------|
| Operating Temperature (Max) | 150 °C |
| Wire Temperature (Max) | 125 °C |

Product Compliance

[For compliance documentation, visit the product page on TE.com>](#)

| | |
|---|---|
| EU RoHS Directive 2011/65/EU | Not Compliant |
| EU ELV Directive 2000/53/EC | Not Compliant |
| China RoHS 2 Directive MIIT Order No 32, 2016 | Restricted Materials Above Threshold |
| EU REACH Regulation (EC) No. 1907/2006 | Current ECHA Candidate List: JUNE 2024 (241) Candidate List Declared Against: JUNE 2024 (241) SVHC > Threshold: Pb (37% in Solder) |

Article Safe Usage Statements:

Do not eat, drink or smoke when using this product. Wash thoroughly after handling. Recycle if possible and dispose of the article by following all applicable governmental regulations relevant to your geographic location.



| | |
|---------------------------|--|
| Halogen Content | Low Bromine/Chlorine - Br and Cl < 900 ppm per homogenous material. Also BFR /CFR/PVC Free |
| Solder Process Capability | Not applicable for solder process capability |

Product Compliance Disclaimer

This information is provided based on reasonable inquiry of our suppliers and represents our current actual knowledge based on the information they provided. This information is subject to change. The part numbers that TE has identified as EU RoHS compliant have a maximum concentration of 0.1% by weight in homogenous materials for lead, hexavalent chromium, mercury, PBB, PBDE, DBP, BBP, DEHP, DIBP, and 0.01% for cadmium, or qualify for an exemption to these limits as defined in the Annexes of Directive 2011/65/EU (RoHS2). Finished electrical and electronic equipment products will be CE marked as required by Directive 2011/65/EU. Components may not be CE marked. Additionally, the part numbers that TE has identified as EU ELV compliant have a maximum concentration of 0.1% by weight in homogenous materials for lead, hexavalent chromium, and mercury, and 0.01% for cadmium, or qualify for an exemption to these limits as defined in the Annexes of Directive 2000/53/EC (ELV). Regarding the REACH Regulation, the information TE provides on SVHC in articles for this part number is based on the latest European Chemicals Agency (ECHA) 'Guidance on requirements for substances in articles' posted at this URL: <https://echa.europa.eu/guidance-documents/guidance-on-reach>

Compatible Parts



TE Part # EG8162-000
HL1920E-230V-EURO

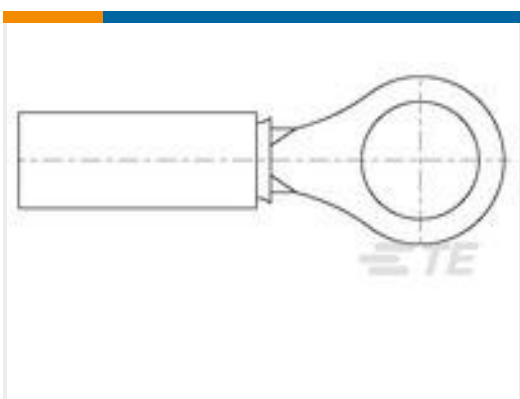
Customers Also Bought



TE Part #T4111002041-000
M12,MALE,STRAIGHT,A CODE,4P, PG9,GOLD



TE Part #5-103414-5
07 MODII HDR SRST SHRD LF



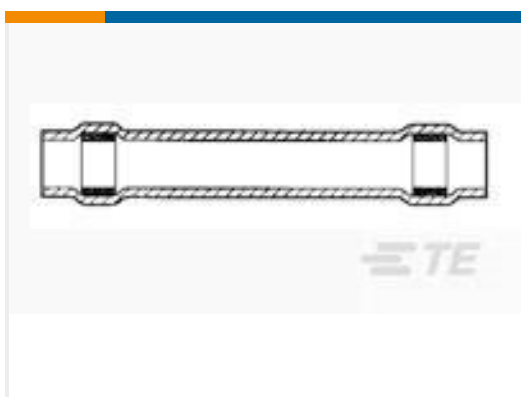
TE Part #1577624-1
TERMINAL RT PIDG PEEK STRATO 20 AWG



TE Part #1622796-1
YR1 0.1% 100K



TE Part #2-2176325-7
CRGP 0402 1K5 1%



TE Part #650074-000
D-436-36



TE Part #284656-E
SRCP 2,54 3 M 1 SMD 137 E1 094 * GU-H *



TE Part #03561006-000
LVDT XS 010 TYPE 2784 ASSY



Documents

Product Drawings

[D-144-25](#)

English

CAD Files

Customer View Model

[ENG_CVM_CVM_622025-000_A.2d_dxf.zip](#)

English

Customer View Model

[ENG_CVM_CVM_622025-000_A.3d_stp.zip](#)

English

Customer View Model

[ENG_CVM_CVM_622025-000_A.3d_igs.zip](#)

English

[3D PDF](#)

3D

By downloading the CAD file I accept and agree to the [Terms and Conditions](#) of use.

Product Specifications

[Product Specification](#)

English