

D-141-31 ✓ ACTIVE

RAYCHEM

TE Internal #: 625044-000

SolderSleeve Shield Terminators, 2.54 mm [.1 in] Expanded Inside,
20 – 26 AWG Wire Size, .5 – .14 mm² Wire Size

[View on TE.com >](#)



Wire Protection & Management > Interconnect Devices > SolderSleeve Shield Terminators



Expanded Inside Diameter (Min): **2.54 mm [.1 in]**

Pre-Installed Lead: **No**

Wire Size: **20 – 26 AWG**

Features

Configuration Features

Pre-Installed Lead	No
--------------------	----

Dimensions

Expanded Inside Diameter (Min)	2.54 mm [.1 in]
--------------------------------	-----------------

Wire Size	20 – 26 AWG
-----------	-------------

Product Compliance

[For compliance documentation, visit the product page on TE.com>](#)

EU RoHS Directive 2011/65/EU	Not Compliant
------------------------------	---------------

EU ELV Directive 2000/53/EC	Not Compliant
-----------------------------	---------------

China RoHS 2 Directive MIIT Order No 32, 2016	Restricted Materials Above Threshold
---	--------------------------------------

EU REACH Regulation (EC) No. 1907/2006	Current ECHA Candidate List: JUNE 2024 (241) Candidate List Declared Against: JAN 2024 (240) SVHC > Threshold: Pb (37% in Solder)
--	--

Article Safe Usage Statements:
Do not eat, drink or smoke when using this product. Wash thoroughly after handling. Recycle if possible and dispose of the article by following all applicable governmental regulations relevant to your geographic location.

Halogen Content	Low Bromine/Chlorine - Br and Cl < 900 ppm per homogenous material. Also BFR /CFR/PVC Free
-----------------	--

Solder Process Capability	Not applicable for solder process capability
---------------------------	--

Product Compliance Disclaimer



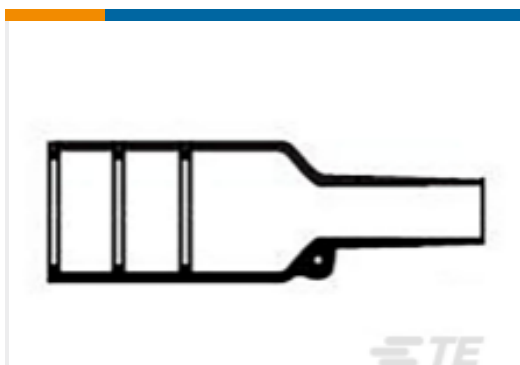
This information is provided based on reasonable inquiry of our suppliers and represents our current actual knowledge based on the information they provided. This information is subject to change. The part numbers that TE has identified as EU RoHS compliant have a maximum concentration of 0.1% by weight in homogenous materials for lead, hexavalent chromium, mercury, PBB, PBDE, DBP, BBP, DEHP, DIBP, and 0.01% for cadmium, or qualify for an exemption to these limits as defined in the Annexes of Directive 2011/65/EU (RoHS2). Finished electrical and electronic equipment products will be CE marked as required by Directive 2011/65/EU. Components may not be CE marked. Additionally, the part numbers that TE has identified as EU ELV compliant have a maximum concentration of 0.1% by weight in homogenous materials for lead, hexavalent chromium, and mercury, and 0.01% for cadmium, or qualify for an exemption to these limits as defined in the Annexes of Directive 2000/53/EC (ELV). Regarding the REACH Regulation, the information TE provides on SVHC in articles for this part number is based on the latest European Chemicals Agency (ECHA) 'Guidance on requirements for substances in articles' posted at this URL: <https://echa.europa.eu/guidance-documents/guidance-on-reach>

Compatible Parts



TE Part # EG8162-000
HL1920E-230V-EURO

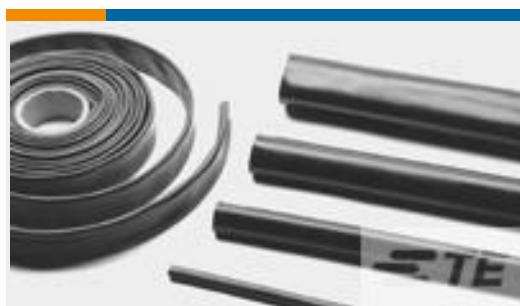
Customers Also Bought



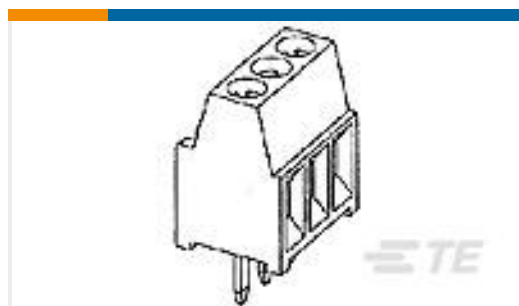
TE Part #634051-000
Bulbous Heat Shrink Boots: Lipped, Straight



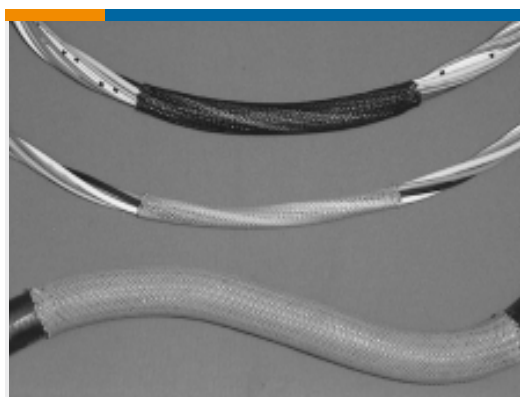
TE Part #6418370001
TMS-SCE-1/8-2.0-4



TE Part #D56022-000
RT-770-1/2-0-SP



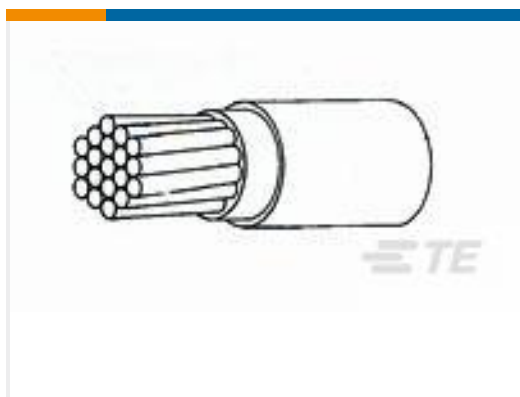
TE Part #282834-4
TERMI-BLOK PCB MOUNT, 90 4P.



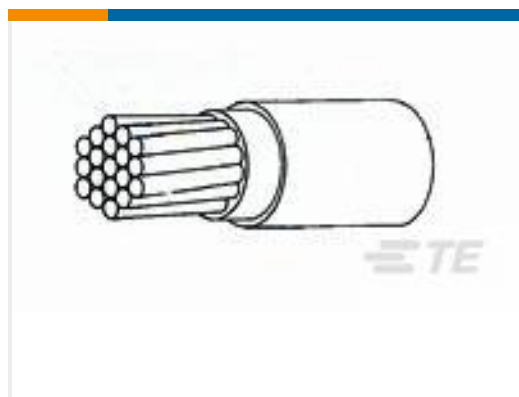
TE Part #CH02034001
VERSAFLEX-3/8-0-SP



TE Part #YDTS26Z13-35PNV001
PLUG ASSY



TE Part #2820443012
44A0111-24-4



TE Part #2820473009
44A0111-24-7



Documents

Product Drawings

[D-141-31](#)

English

Datasheets & Catalog Pages

[1654025_Sec8_B-155_CWT_D-129_D-141_D-71X](#)

English